



4G LTE Antenna

WG-UMB-PAN17SF



Frequency :698~2690MHZ

Gain : 7.5dBi

V.S.W.R : <1.5:1

Impedance : 50 ohm

Connector : SMA-FEMALE (Various connectors available on pigtail version)

Cable : CFD195 on pigtail versions

Material : ABS & Aluzink

Dimensions: 305x205x53mm

Color: White Grey

Mount: Wall Mount

Weight:1800g

Temperature:-40°C to +80°C

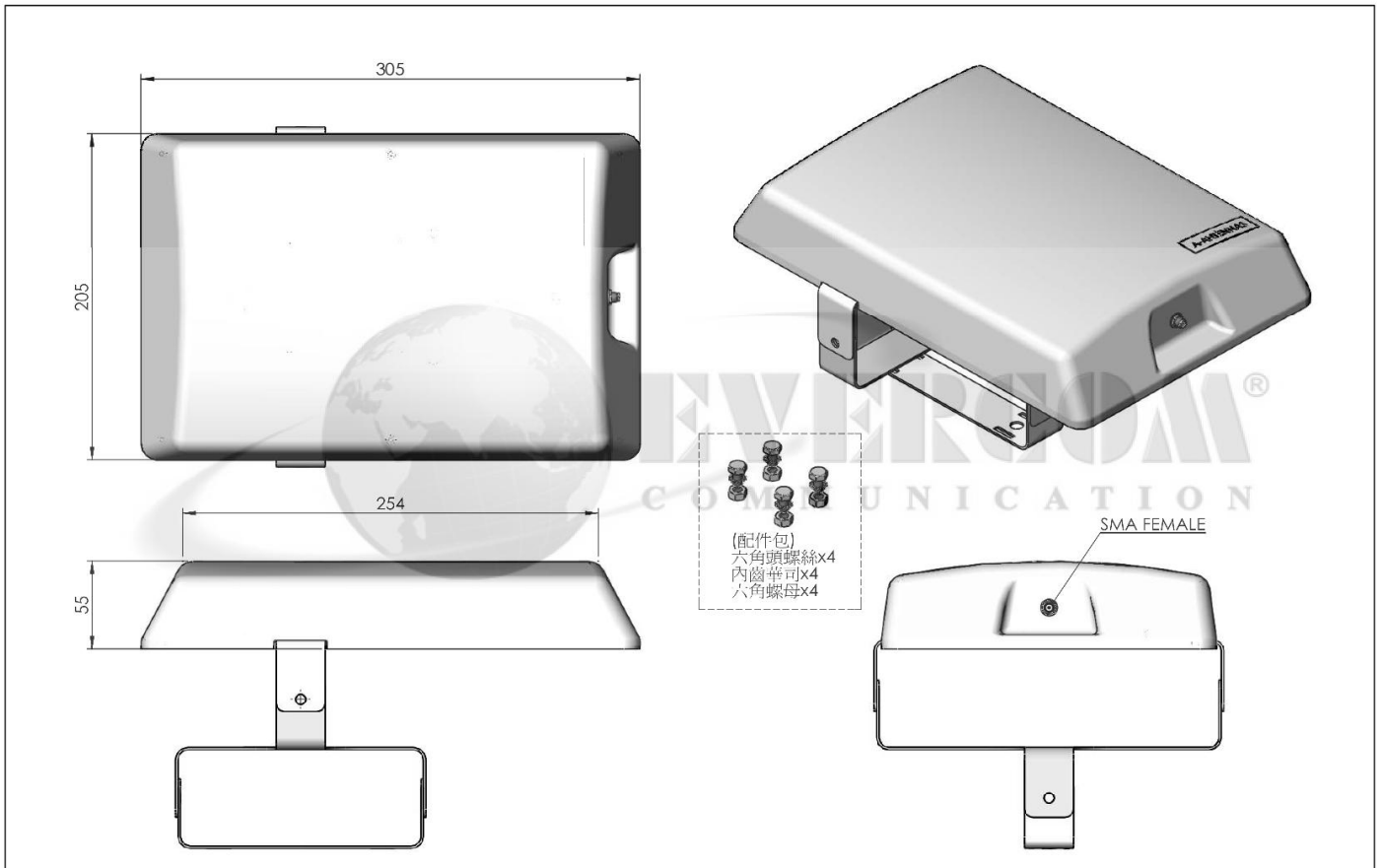
© 2016 EVERCOM COMMUNICAITON TECHNOLOGY CO., LTD.

No.108 Jiesin St. Taoyuan District Taoyuan City 33063, Taiwan R.O.C.

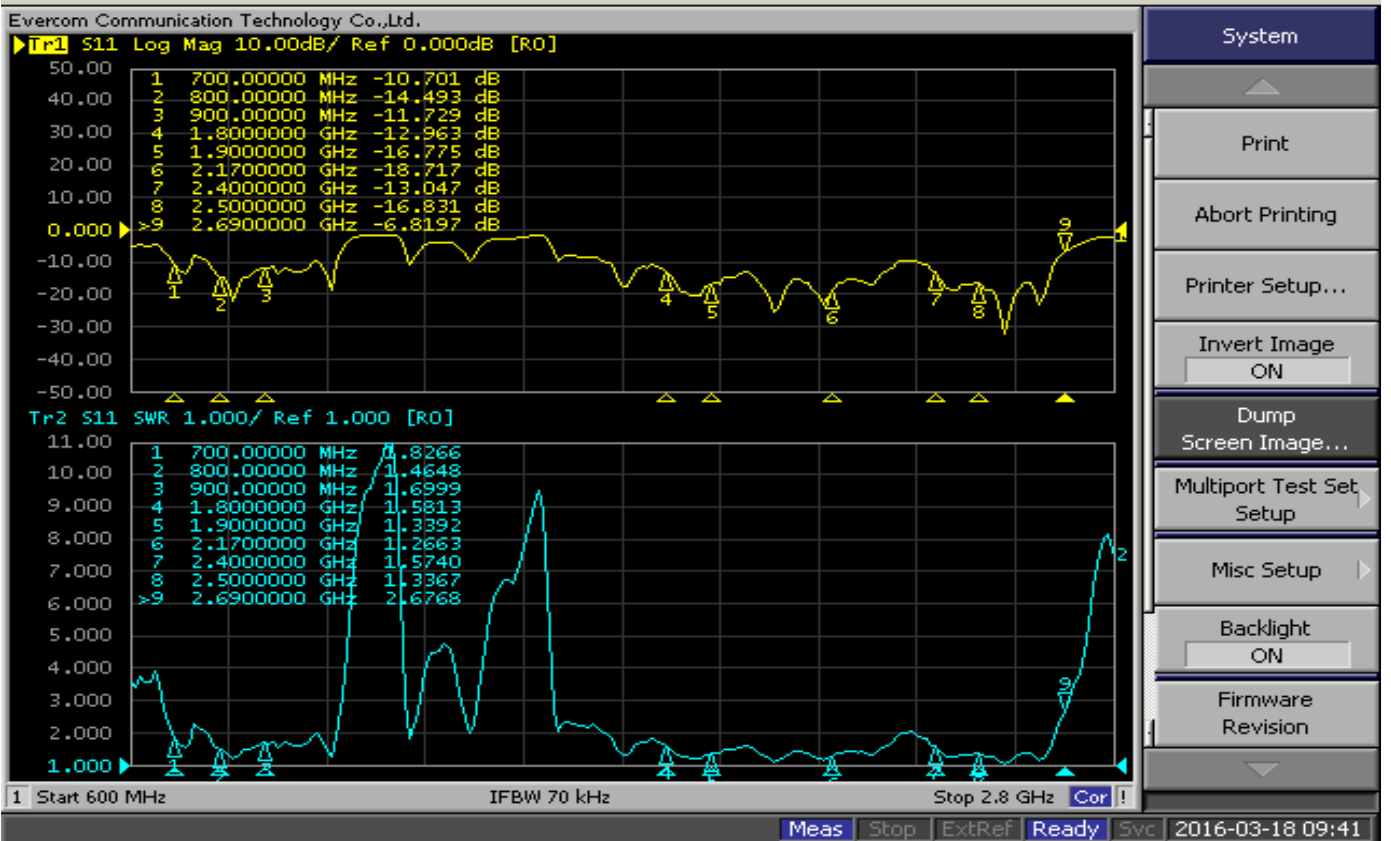
Tel: +886-3-376-5678 Fax: +886-3-376-5319 E-Mail: service@evercomtech.com



ISO 9001



	EVERCOM COMMUNICATION TECHNOLOGY CO.; LTD			CHECKED BY	APPROVAL BY	DESIGNED BY	SCALE	UNIT
	MODEL NAME		MODEL NO.	UMB-PAN17SF		<i>Ben</i>	C.H.C	1 : 3
					20160114	2016.01.14		





Description for EUT testing position

Place and fix it with tape shown as below.

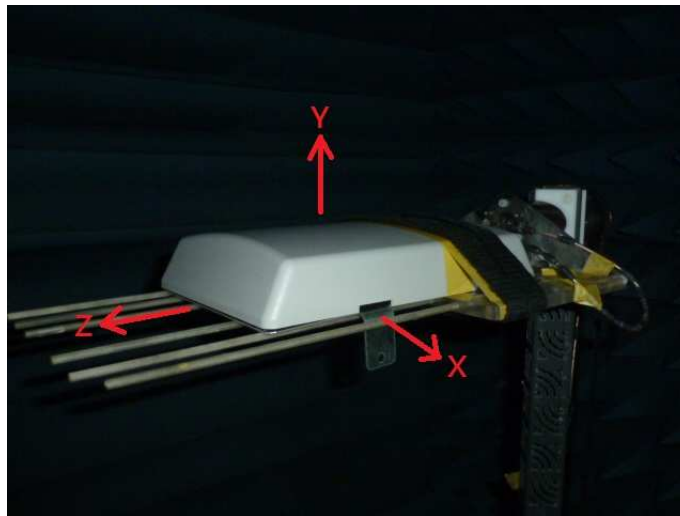


Fig. 5-1 Test position Free Space – WG-UMB-PAN17SF-1

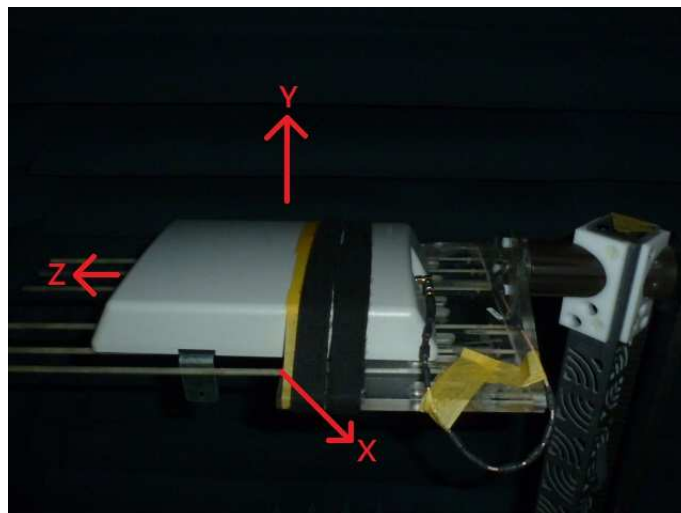
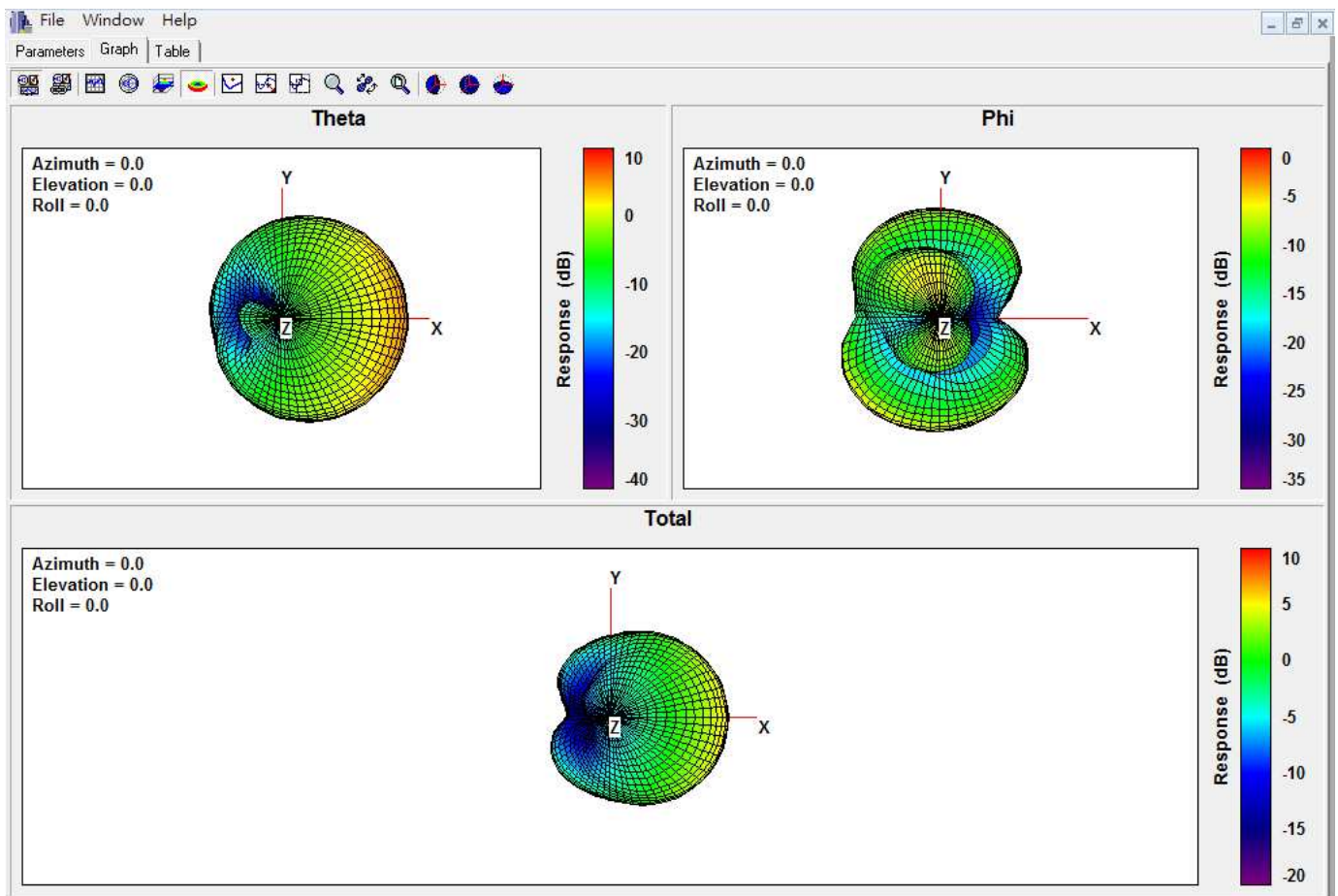


Fig. 5-2 Test position Free Space – WG-UMB-PAN17SF-2



Appendix A Pattern Plots

3D Pattern

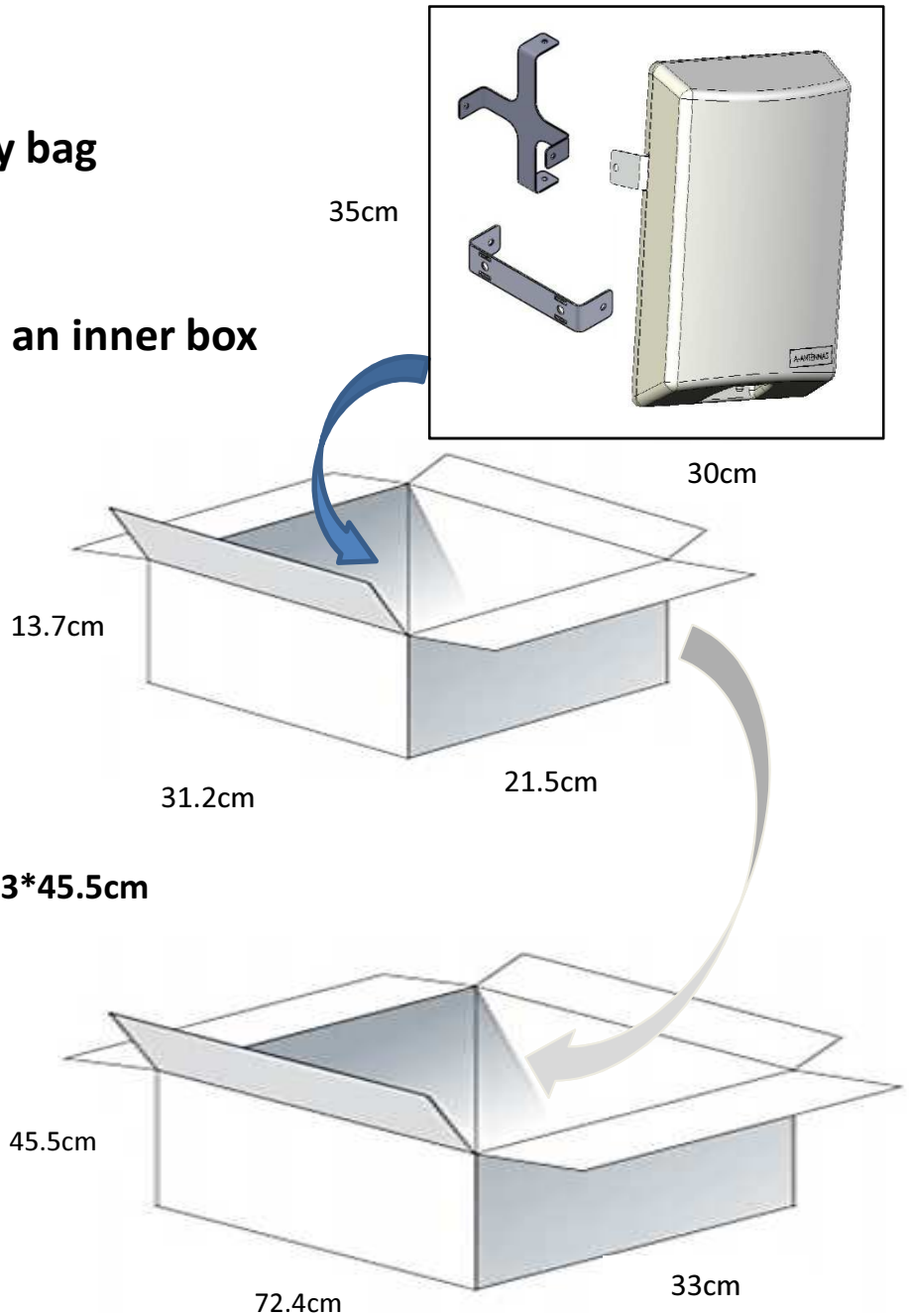




Packaging

Antenna pack in a poly bag

A set of antenna put in an inner box



10 PCS Per Carton

Carton Dimensions:72.4*33*45.5cm





Antenna Applications

