

THE FASTEST
CONNECTION
IS HERE



4G

4G LTE Antenna

WG-UMB-OM-90



Frequency: 700~2700MHZ

Gain: 4dBi

V.S.W.R: <2:1

Impedance: 50 Ohm

Max. Power: 100W

Connector: N/F (Optional)

Polarization: Vertical

Cable: CFD 195 (Optional)

Material: ABS

Length: 218.5* 60 mm

Color: Light Gray

Mounting: L Type Mount

Weight: 1.02kgs

Temperature: -20°C to + 60°C

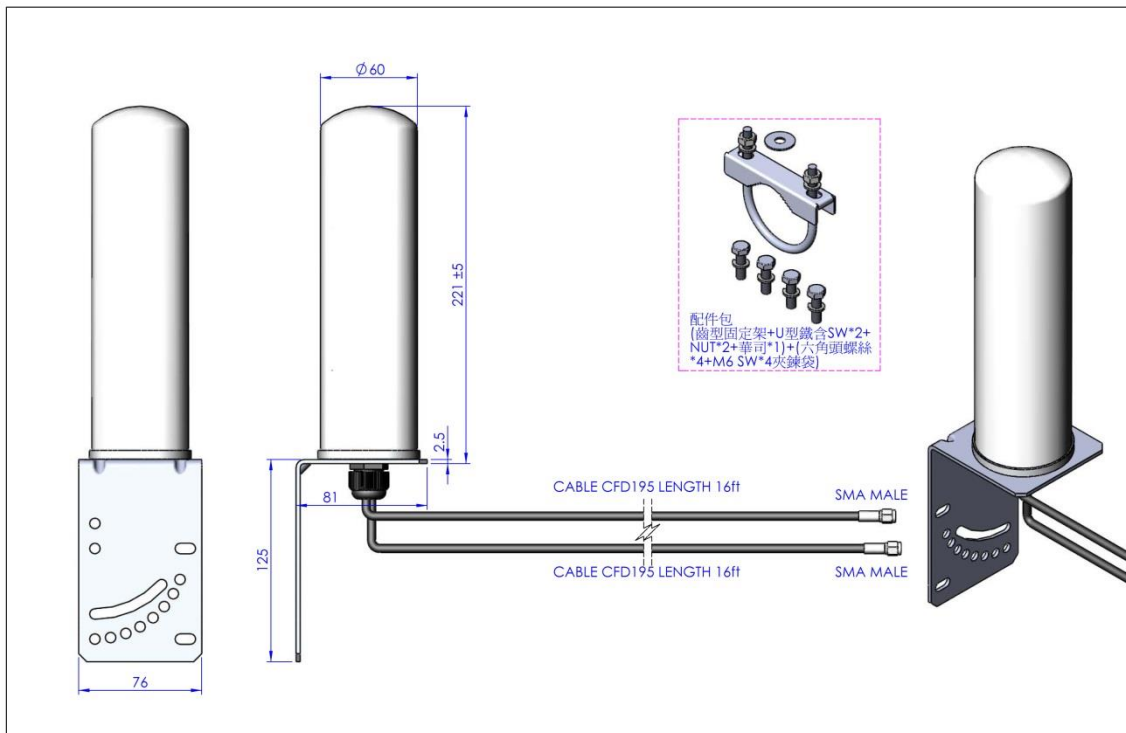
© 2016 EVERCOM COMMUNICAITON TECHNOLOGY CO., LTD.

No.108 Jiesin St. Taoyuan District Taoyuan City 33063, Taiwan R.O.C.

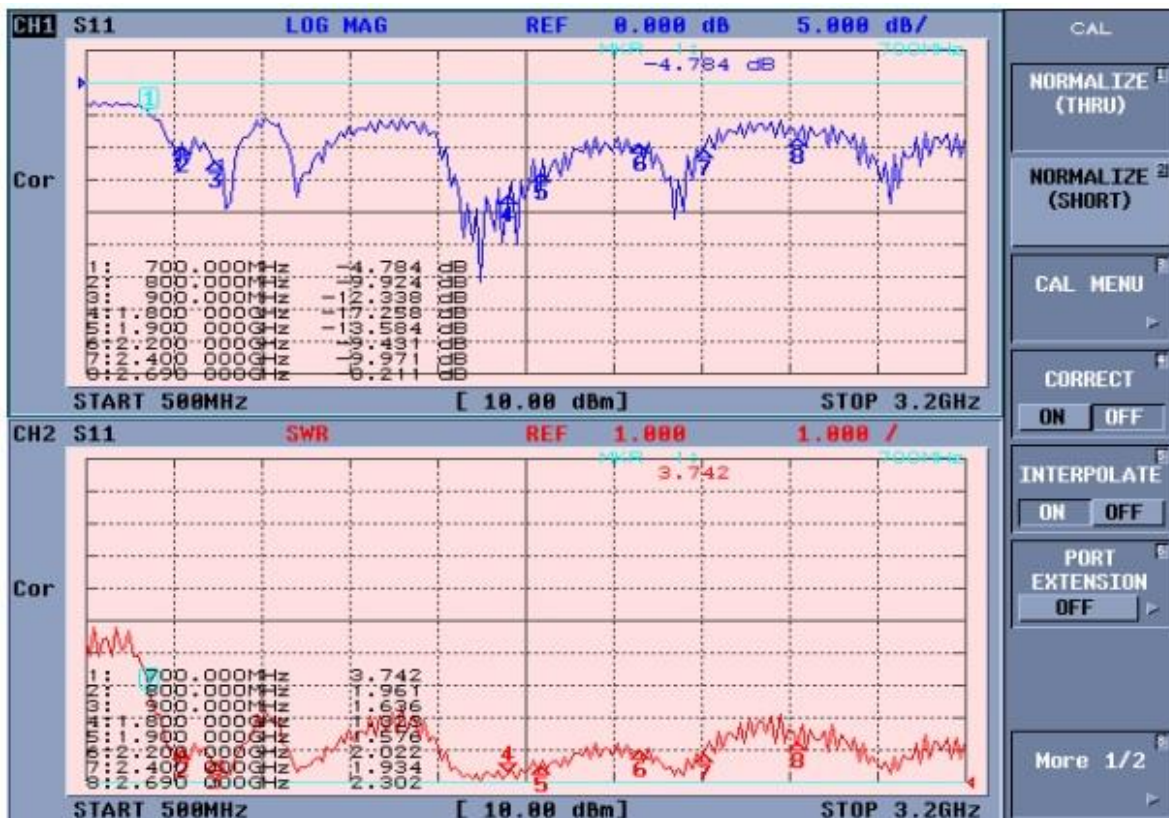
Tel: +886-3-376-5678 Fax: +886-3-376-5319 E-Mail: service@evercomtech.com



ISO 9001



	EVERCOM COMMUNICATION TECHNOLOGY CO; LTD			CHECKED BY	APPROVAL BY	DESIGNED BY	SCALE	UNIT
	MODEL NAME	MODEL NO.	UMB-OM90-KIT/195SM4.8			C.H.C 2017.06.31	1 : 2	mm



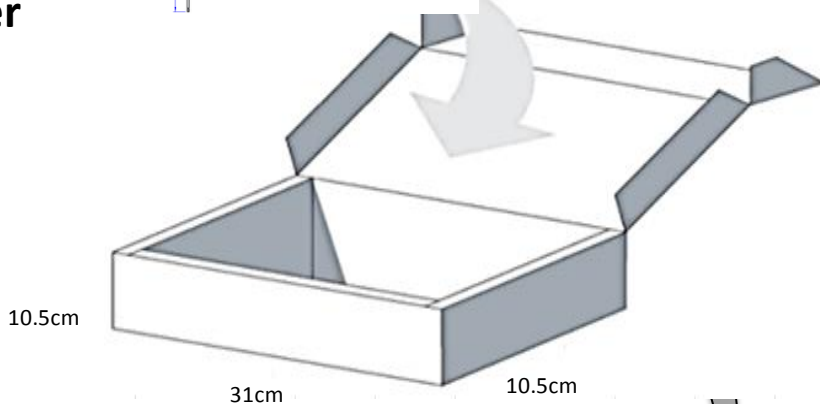
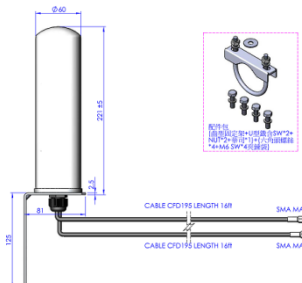
THE FASTEST CONNECTION IS HERE.



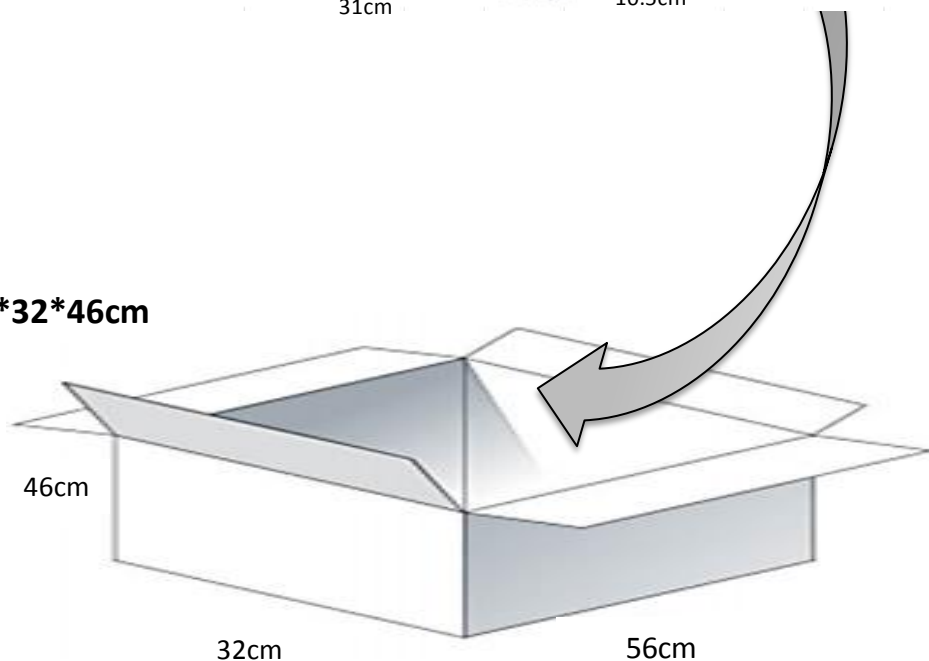
4G+

Packaging

Each antenna pack in a inner white box



20 PCS Per Carton
Carton Dimensions: 56*32*46cm



ISO 9001