

THE FASTEST
CONNECTION
IS HERE



4G

4G LTE Antenna

WG-UMB-TC-224



Frequency :700~2700MHZ

Gain : 5dBi

V.S.W.R : <1.5:1

Impedance : 50ohm

Power: 50W

Connector : FME/F (Optional)

Cable : RG58 (Optional)

Mounting : Roof Type

Polarization : Vertical

Color : Black

Length: 257mm

Weight:230g

Material: Steel

Temperature:-30°C to +80°C

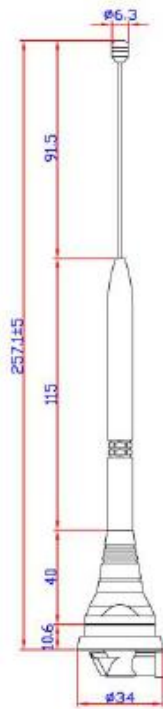
© 2016 EVERCOM COMMUNICAITON TECHNOLOGY CO., LTD.

No.108 Jiesin St. Taoyuan District Taoyuan City 33063, Taiwan R.O.C.

Tel: +886-3-376-5678 Fax: +886-3-376-5319 E-Mail: service@evercomtech.com



ISO 9001



CABLE RG58/U LENGTH 14ft

SMA MALE



EVERCOM COMMUNICATION TECHNOLOGY CO., LTD.

CHECKED BY

APPROVAL BY

DESIGNED BY

SCALE

UNIT

MODEL NAME

MODEL NO.

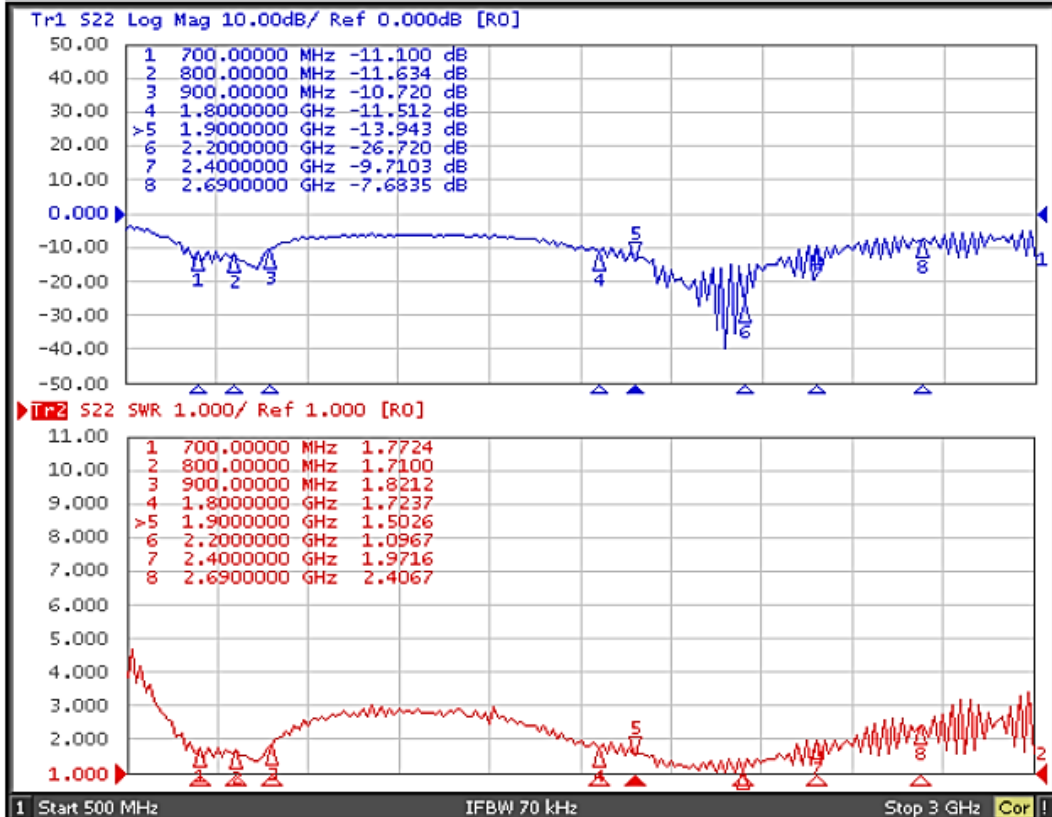
UMB-TC204A FME-F4.3

C.H.C
2017.04.14

1:2

mm

1 Active Ch/Trace 2 Response 3 Stimulus 4 Mkr/Analysis 5 Instr State



System

Print

Abort Printing

Printer Setup...

Invert Image
ON

Dump Screen Image...

Multiport Test Set Setup

Misc Setup

Backlight
ON

Firmware Revision

1 Start 500 MHz IFBW 70 kHz Stop 3 GHz Cor | Meas Stop ExtRef Ready Svc 2017-04-18 13:55

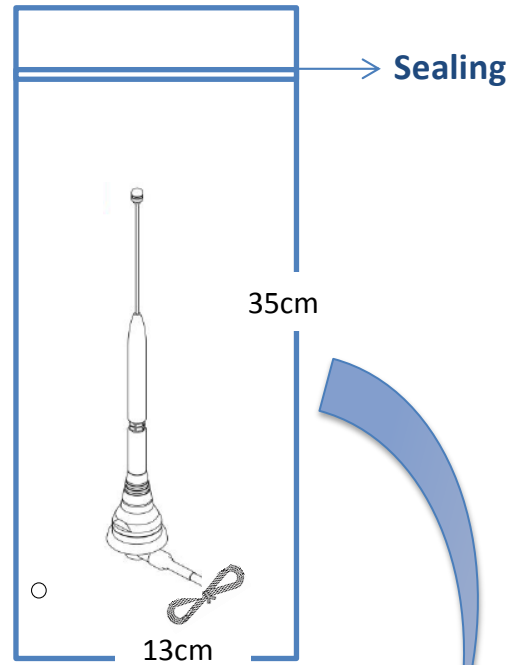
THE FASTEST
CONNECTION
IS HERE.



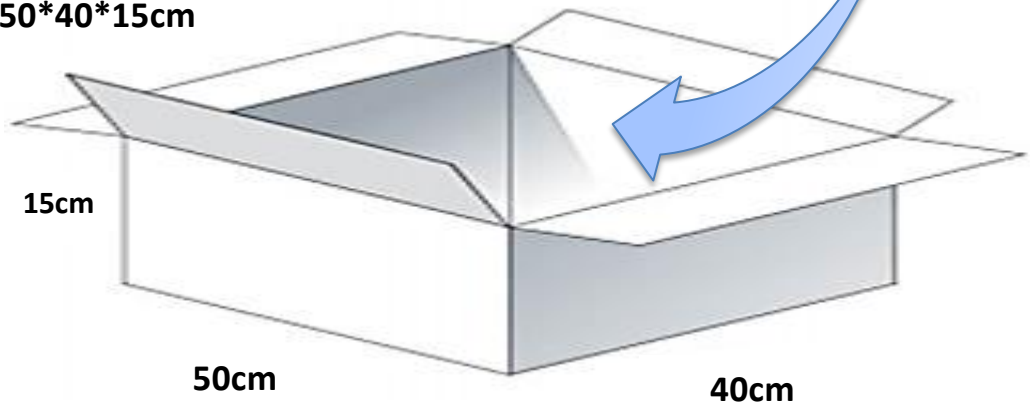
4G+

Packaging

*1 pcs Antenna PE bag/ each



*25 pcs Bulk /per carton
Carton Dimensions:50*40*15cm



Antenna Applications

