

THE FASTEST
CONNECTION
IS HERE



4G

4G LTE Antenna

WG-UMB-TC-228



Frequency :700~2700MHZ

Gain : 7dBi

V.S.W.R : <1.5:1

Impedance : 50ohm

Power: 50W

Connector : FME/F (Optional)

Cable : RG58 (Optional)

Mounting : Roof Type

Polarization : Vertical

Color : Black

Length: 666mm

Weight:250g

Material: Steel

Temperature:-30°C to +80°C

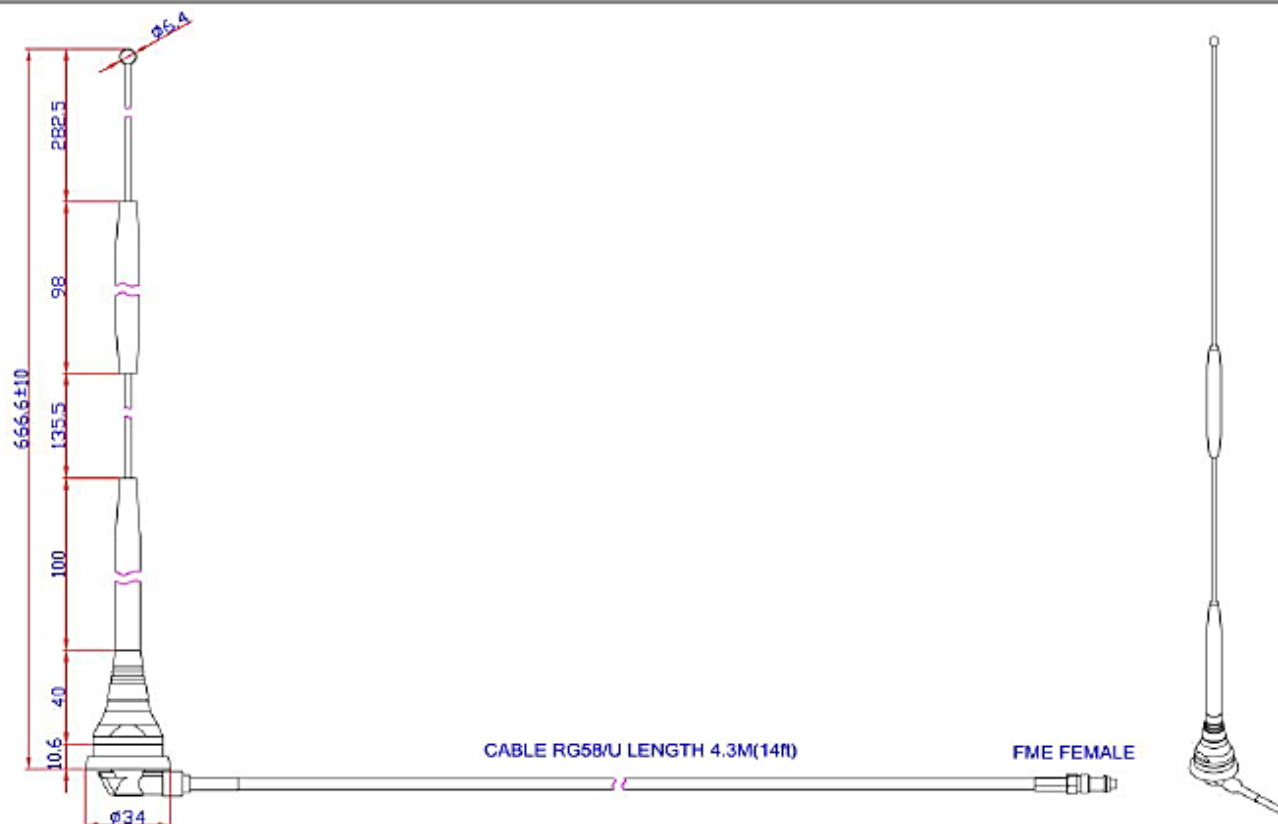
© 2016 EVERCOM COMMUNICAITON TECHNOLOGY CO., LTD.

No.108 Jiesin St. Taoyuan District Taoyuan City 33063, Taiwan R.O.C.

Tel: +886-3-376-5678 Fax: +886-3-376-5319 E-Mail: service@evercomtech.com

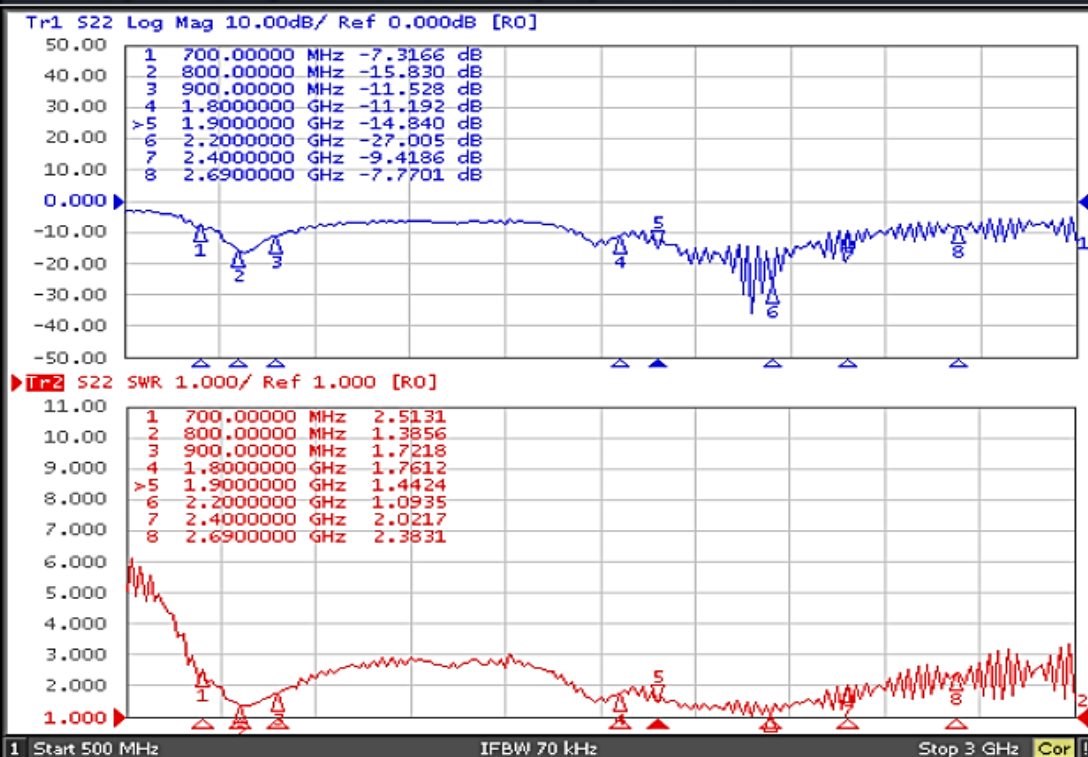


ISO 9001



EVERCOM COMMUNICATION TECHNOLOGY CO., LTD.		CHECKED BY	APPROVAL BY	DESIGNED BY	SCALE	UNIT
MODEL NAME	MODEL NO.	UMB-TC208A FME-F4.3		C.H.C	1:2	mm
				2017.04.14		

1 Active Ch/Trace 2 Response 3 Stimulus 4 Mkr/Analysis 5 Instr State



System

Print

Abort Printing

Printer Setup...

Invert Image ON

Dump Screen Image...

Multiport Test Set Setup

Misc Setup

Backlight ON

Firmware Revision

Meas Stop ExtRef Ready Svc 2017-04-18 13:54

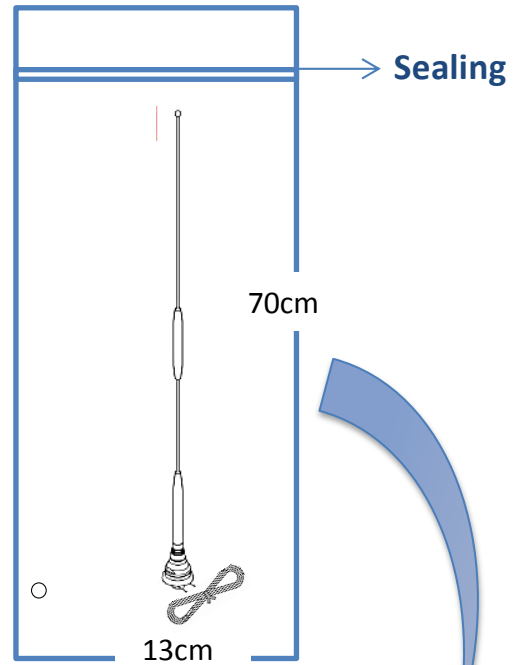
THE FASTEST CONNECTION IS HERE.



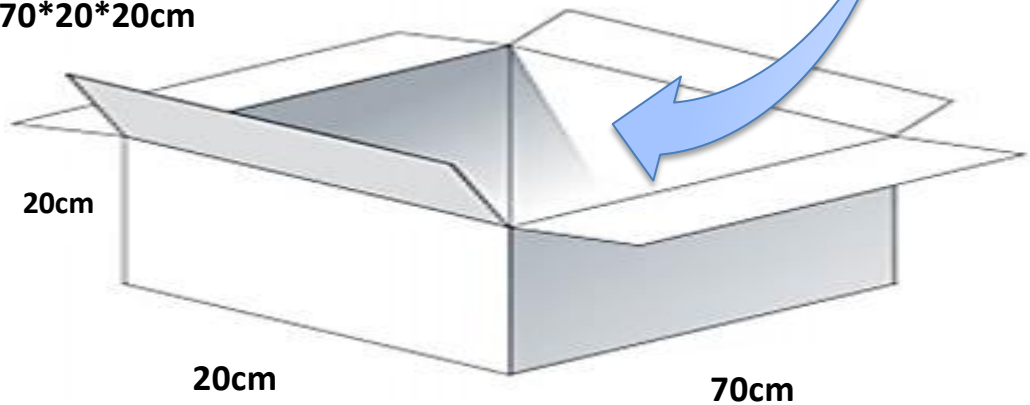
4G+

Packaging

***1 pcs Antenna PE bag/ each**



***25 pcs Bulk /per carton**
Carton Dimensions:70*20*20cm



Antenna Applications

