

THE FASTEST
CONNECTION
IS HERE



4G

4G LTE Antenna

WG-UMB-TC877



Frequency : 700~2700MHZ

Gain : 2dBi

V.S.W.R : <2:1

Power : 10 W

Impedance : 50 ohm

Connector : SMA/M (Optional)

Cable : RG174 (Optional)

Material : ABS

Color : Black

Length : 103x25.5 cm

Polarization: Linear (V or H)

Mounting : 3M Tape

Weight : 40 g

Temperature : -20°C to + 60°C

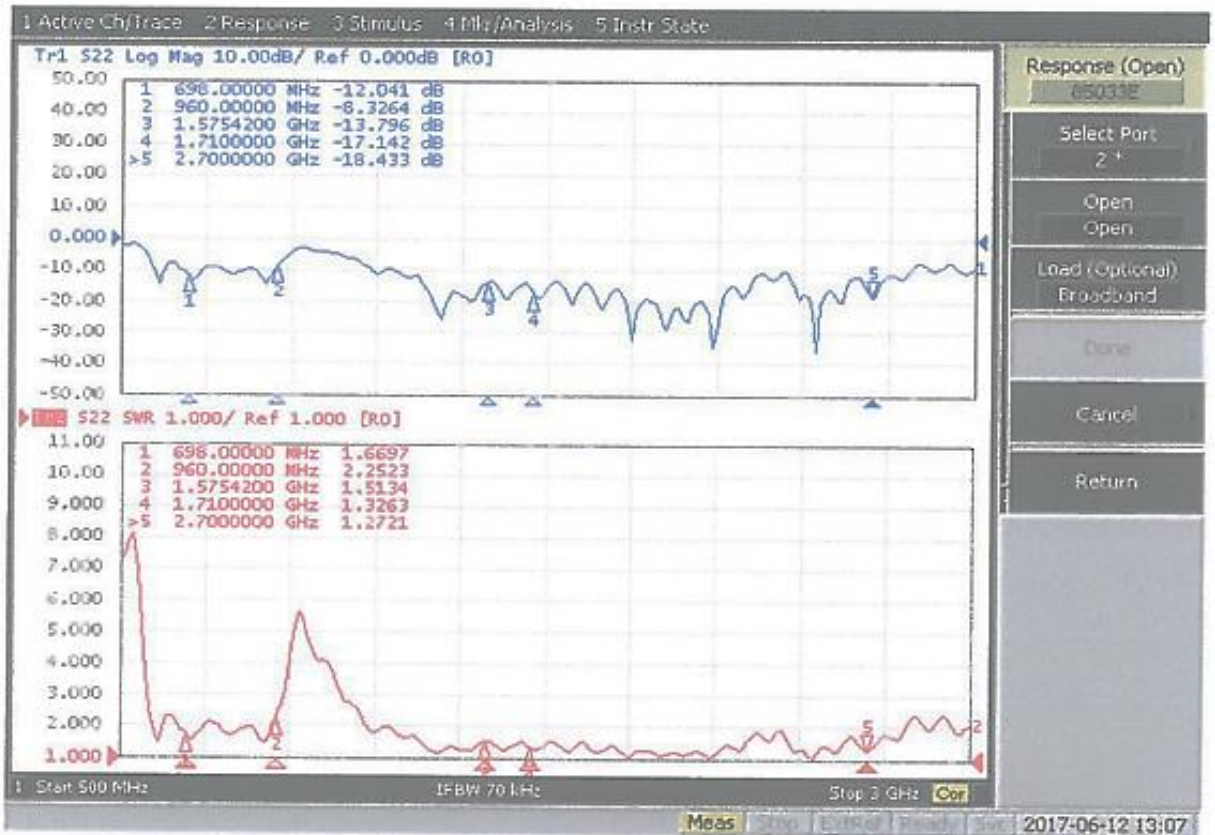
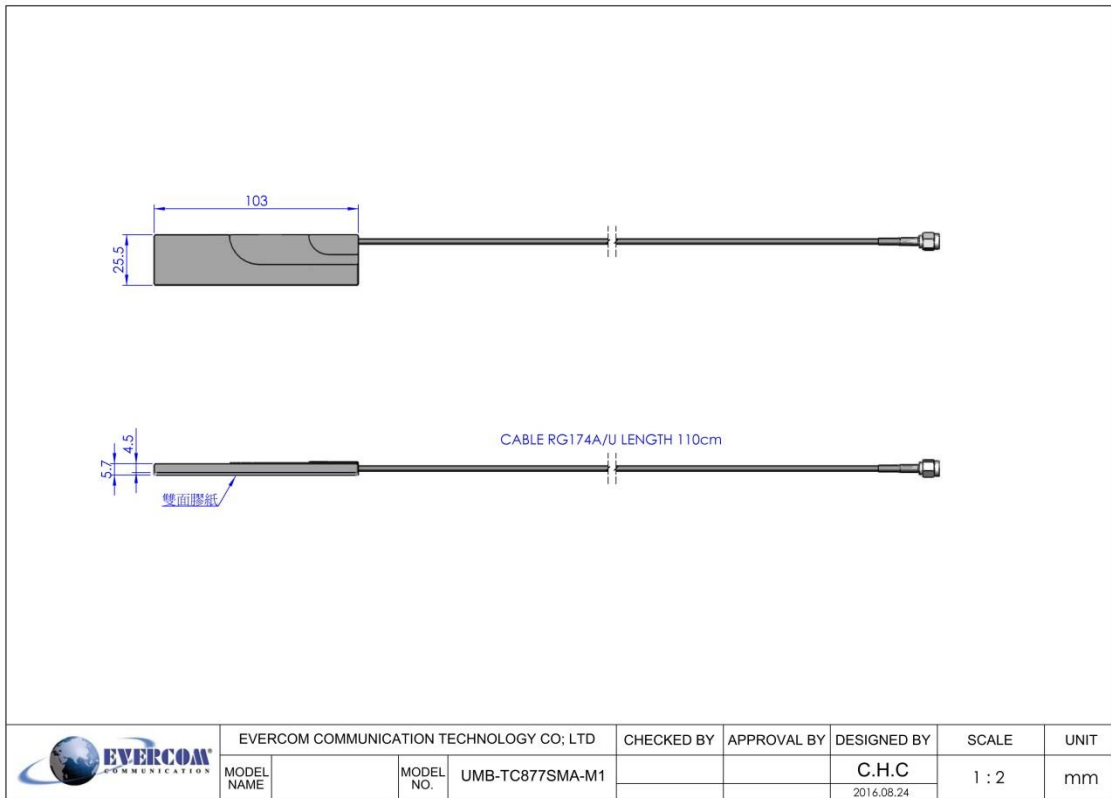
© 2016 EVERCOM COMMUNICAITON TECHNOLOGY CO., LTD.

No.108 Jiesin St. Taoyuan District Taoyuan City 33063, Taiwan R.O.C.

Tel: +886-3-376-5678 Fax: +886-3-376-5319 E-Mail: service@evercomtech.com

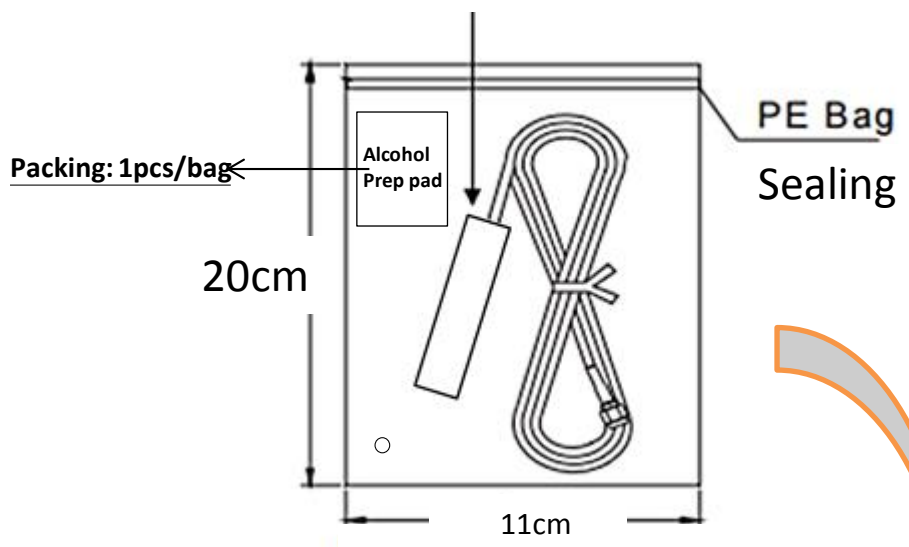


ISO 9001

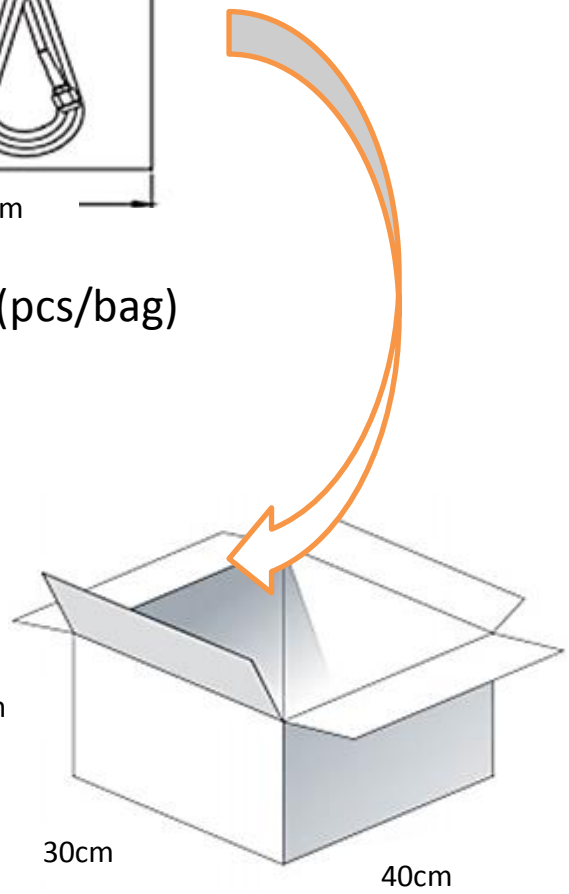




1 pcs antenna PE bag/ each
TC-877



Packing: 1(pcs/bag)



***200 pcs Bulk per carton**
Carton Dimensions: 40*30*20cm



THE FASTEST CONNECTION IS HERE.



EVERCOM COMMUNICATION



Antenna Applications

