

THE FASTEST  
CONNECTION  
IS HERE



4G

# 4G LTE Antenna

## WG-UMB-TC883



Frequency :700~2700MHZ

Gain : 3dBi

V.S.W.R : <1.5:1

Power: 10W

Impedance : 50 ohm

Connector : MMCX(OPTIONAL)

Cable : RG174 (OPTIONAL)

Material : ABS

Color: Black

Length: 11.50cm

Polarization: Linear (V or H)

Mounting: 3M Tape

Weight:60g

Temperature:-20°C to + 65°C

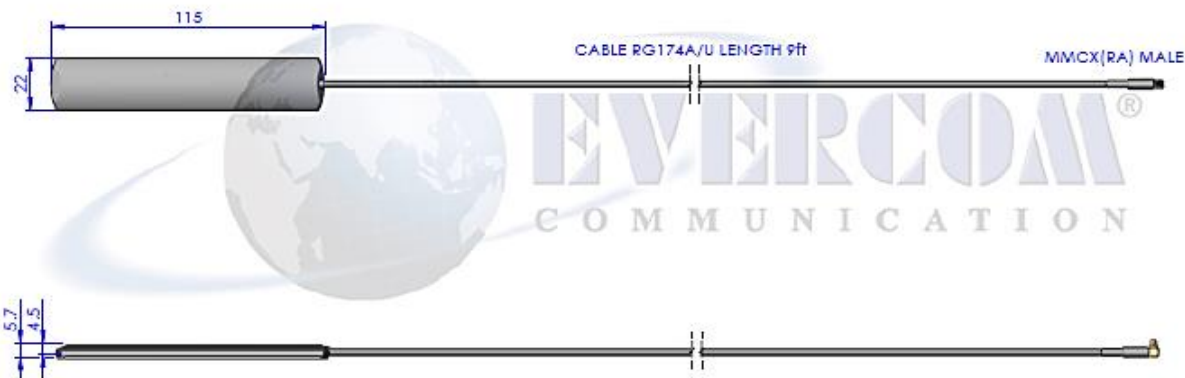
© 2016 EVERCOM COMMUNICAITON TECHNOLOGY CO., LTD.

No.108 Jiesin St. Taoyuan District Taoyuan City 33063, Taiwan R.O.C.

Tel: +886-3-376-5678 Fax: +886-3-376-5319 E-Mail: [service@evercomtech.com](mailto:service@evercomtech.com)



ISO 9001

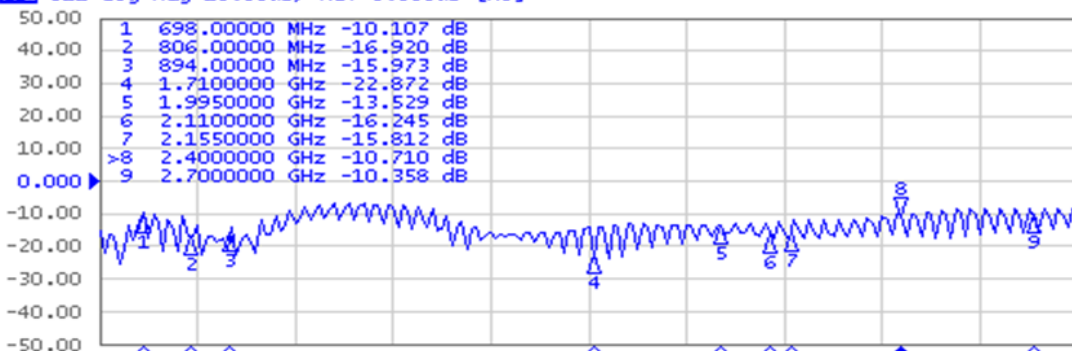


	EVERCOM COMMUNICATION TECHNOLOGY CO; LTD			CHECKED BY	APPROVAL BY	DESIGNED BY	SCALE	UNIT
	MODEL NAME		MODEL NO.	UMB-TC883(ERAMM2.5)		<i>Ben</i> 20161011	C.H.C 20160929	1 : 2

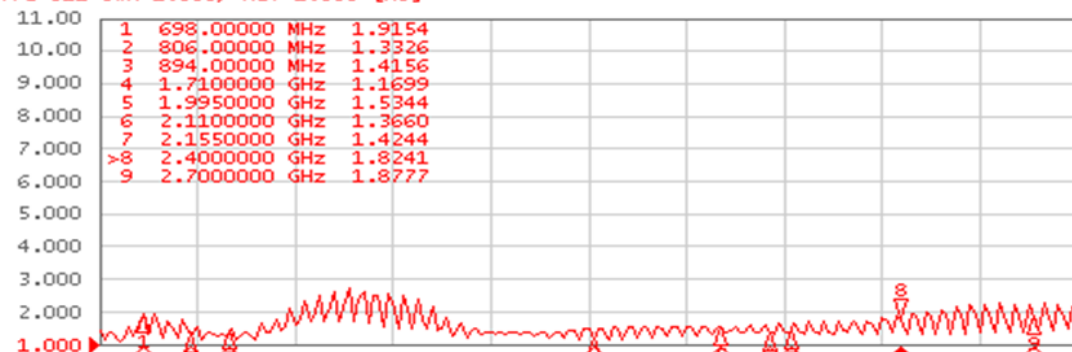
1 Active Ch/Trace 2 Response 3 Stimulus 4 Mkr/Analysis 5 Instr State

Evercom Communication Technology Co.,Ltd.

▶ Tr1 S11 Log Mag 10.00dB/ Ref 0.000dB [R0]



Tr2 S11 SWR 1.000/ Ref 1.000 [R0]



1 Start 600 MHz IFBW 70 kHz Stop 2.8 GHz Cor !

Meas Stop ExtRef Ready Svc 2016-07-14 10:02

System

Print

Abort Printing

Printer Setup...

Invert Image  
ON

Dump  
Screen Image...

Multiport Test Set  
Setup

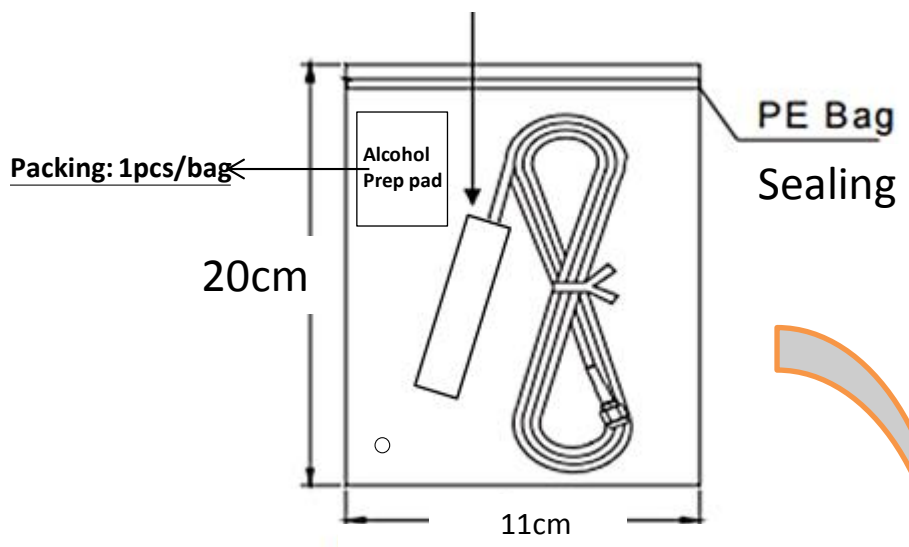
Misc Setup

Backlight  
ON

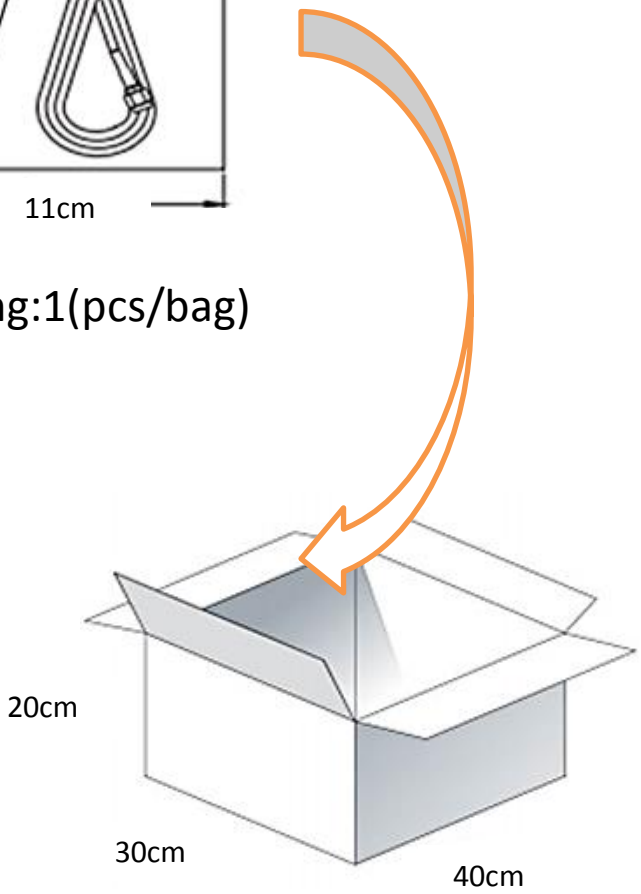
Firmware  
Revision



**1 pcs antenna PE bag/ each**  
**TC-883**



Packing:1(pcs/bag)



**\*100 pcs Bulk per carton**  
**Carton Dimensions:40\*30\*20cm**



THE FASTEST CONNECTION IS HERE.



EVERCOM COMMUNICATION

4G

# Antenna Applications

