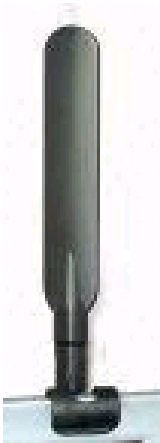




*The World Wide Leader in Antenna*

# WiFi Antenna

## UND-WLT309



Frequency : 2.4/5.8GHz

Gain : 2.15dBi

V.S.W.R : <2.0:1

Impedance : 50 ohm

Connector : MMCX

Cable : 50cm of RG174 (Optional)

Material : ABS Polymer

Length : 171 x 21.8mm

Weight : ≐ 40g

Color : Black

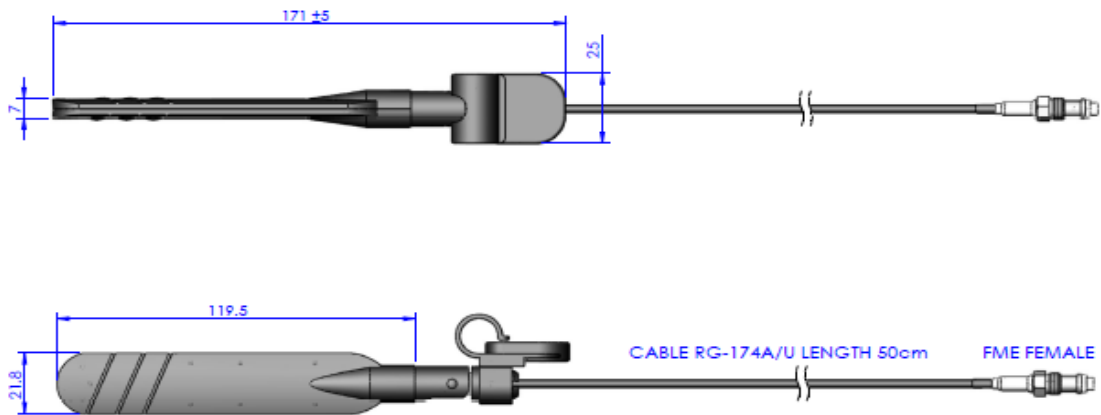
Polarization : Vertical

Temperature : -20°C to +60°C

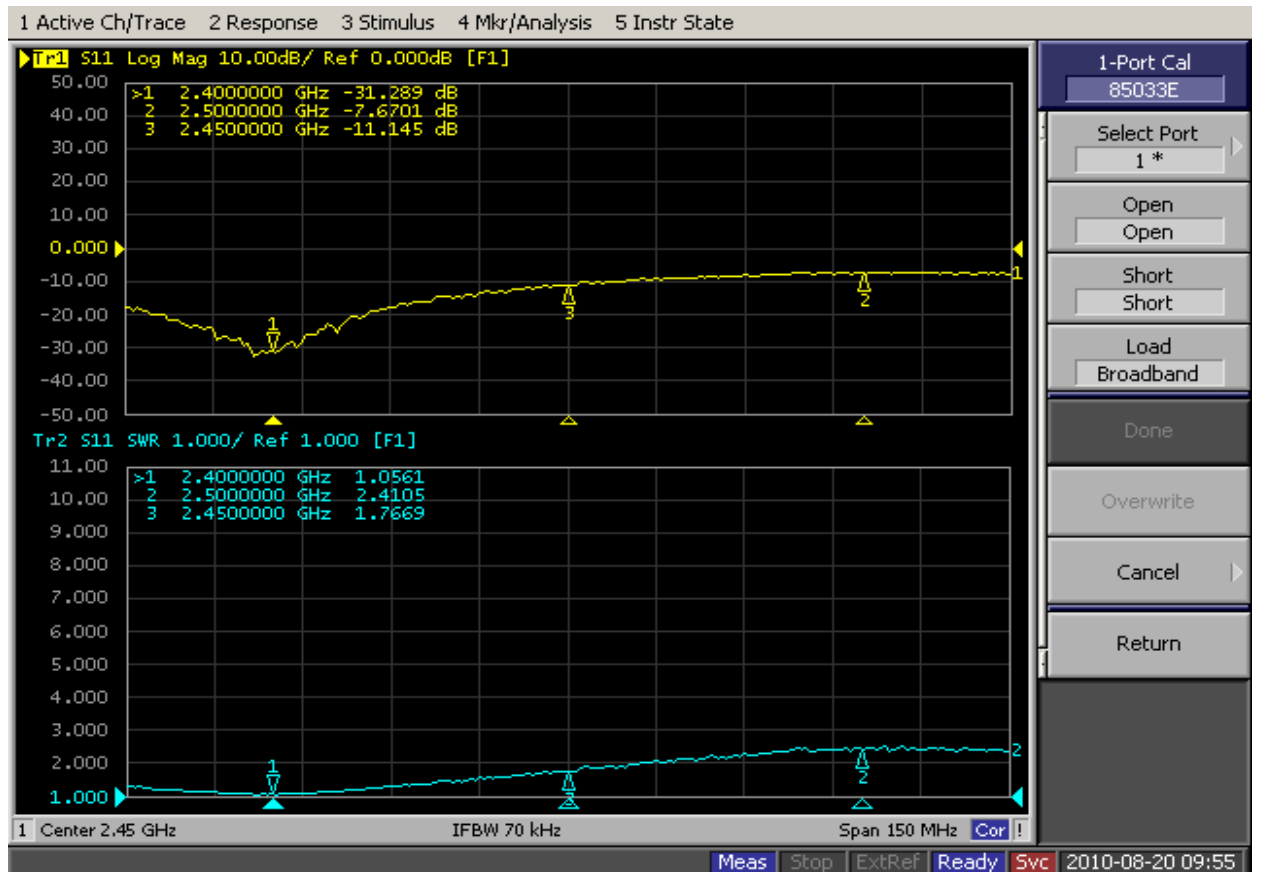
**EVERCOM COMMUNICAITON TECHNOLOGY CO., LTD.**

No.108 Jiesin St. Taoyuan District Taoyuan City 33063, Taiwan R.O.C.

Tel: +886-3- 376- 5678 Fax: +886-3- 376- 5319 E-Mail: [service@evercomtech.com](mailto:service@evercomtech.com)



	EVERCOM COMMUNICATION TECHNOLOGY CO.; LTD			CHECKED BY	APPROVAL BY	DESIGNED BY	SCALE	UNIT
	MODEL NAME		MODEL NO.	UND-WLT309FF05			C.H.C 2010.08.20	1 : 1.5

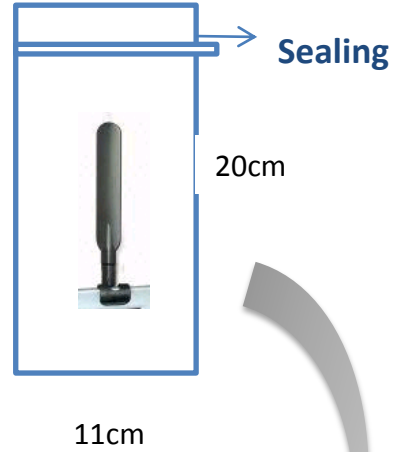




*The World Wide Leader in Antenna*

# Packaging

**\*1 pc Antenna  
PE bag/ each**



**100 pcs per carton  
Carton Dimensions:40\*30\*20cm**

