



The World Wide Leader in Antenna

WIFI Antenna

XG-UND-DP309



Frequency : 2.4/5.8GHz

Gain : 2.5dBi

Impedance : 50 ohm

Connector : SMA/RP, SMA

Material : ABS Polymer

Length : 161 x 13mm

Weight : 30g

Color : Black

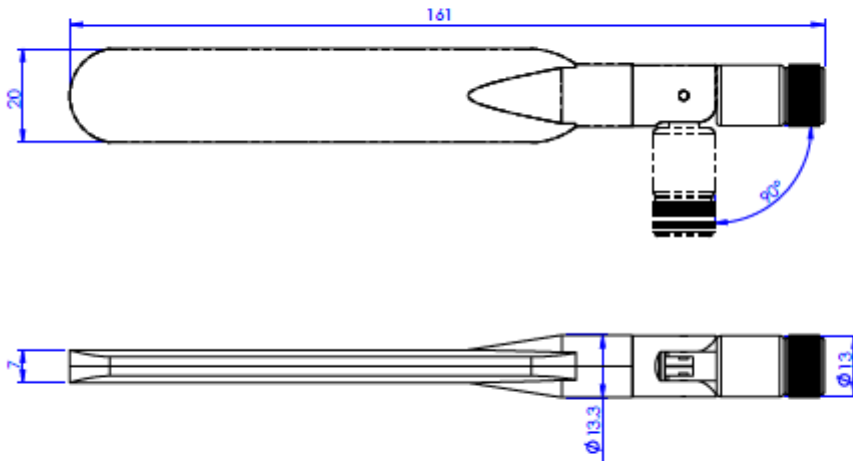
Polarization : Vertical

Temperature : -20°C to +60°C

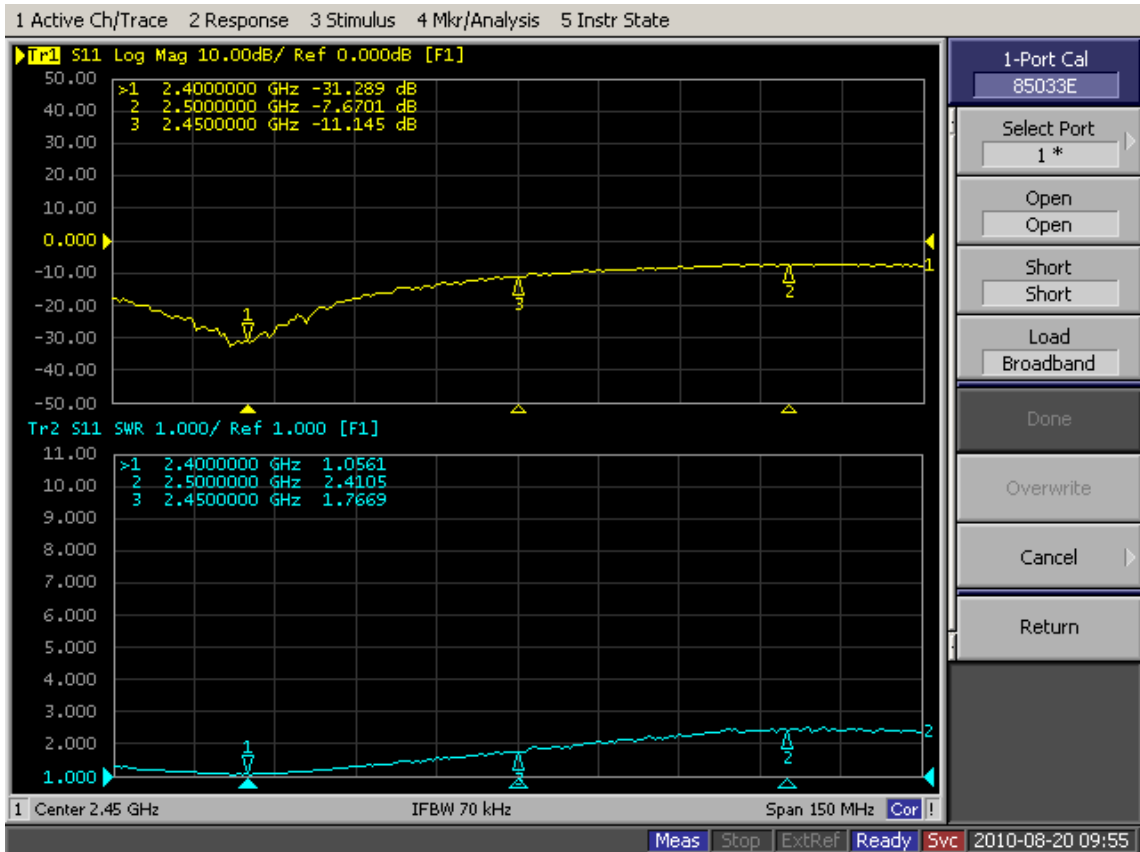
EVERCOM COMMUNICAITON TECHNOLOGY CO., LTD.

No.108 Jiesin St. Taoyuan District Taoyuan City 33063, Taiwan R.O.C.

Tel: +886-3- 376- 5678 Fax: +886-3- 376- 5319 E-Mail: service@evercomtech.com



	EVERCOM COMMUNICATION TECHNOLOGY CO; LTD			CHECKED BY	APPROVAL BY	DESIGNED BY	SCALE	UNIT
	MODEL NAME		MODEL NO.	XG-UND-DP309			W.C.W 2018.05.07	1:1

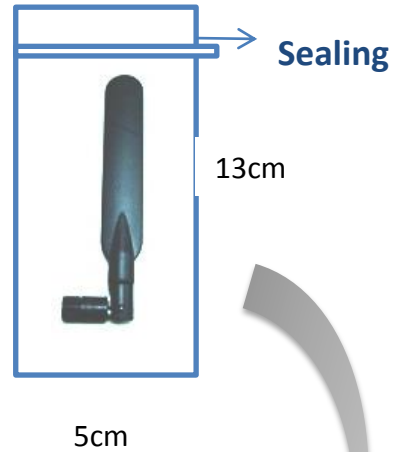




The World Wide Leader in Antenna

Packaging

***1 pc Antenna
PE bag/ each**



**600 pcs per carton
Carton Dimensions:40*33*23cm**

