



*The World Wide Leader in Antenna*

# 2.4GHz Antenna

## WLO-M79



Frequency : 2.4-2.5GHz

Gain : 5dBi

V.S.W.R : <2.0:1

Impedance : 50 ohm

Connector : SMA,FME (Optional)

Cable : 3meter of RG58 (Optional)

Material : Copper/ABS/Steel

Dimension : 212.5 x 84 x 6.3mm

Weight : ≐ 480g

Color : Black

Mounting : Magnet Type

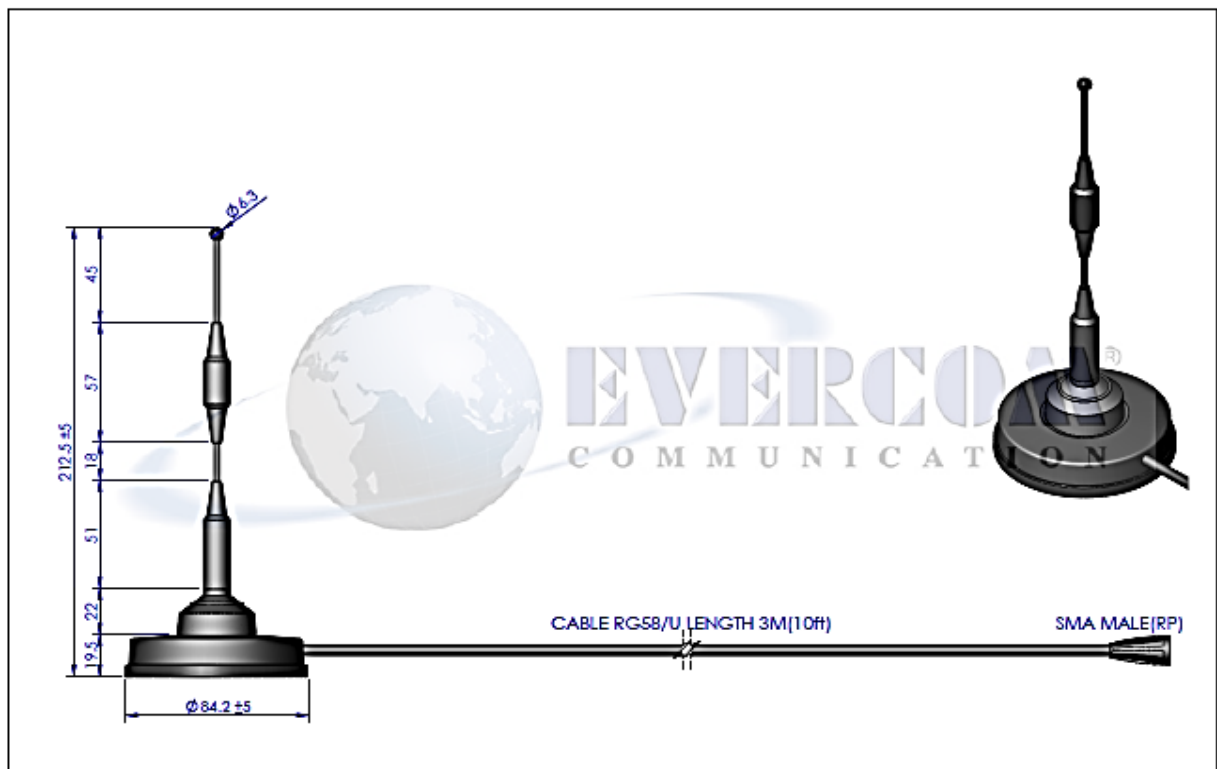
Polarization : Vertical

Temperature : -20°C to +60°C

**EVERCOM COMMUNICAITON TECHNOLOGY CO., LTD.**

No.108 Jiesin St. Taoyuan District Taoyuan City 33063, Taiwan R.O.C.

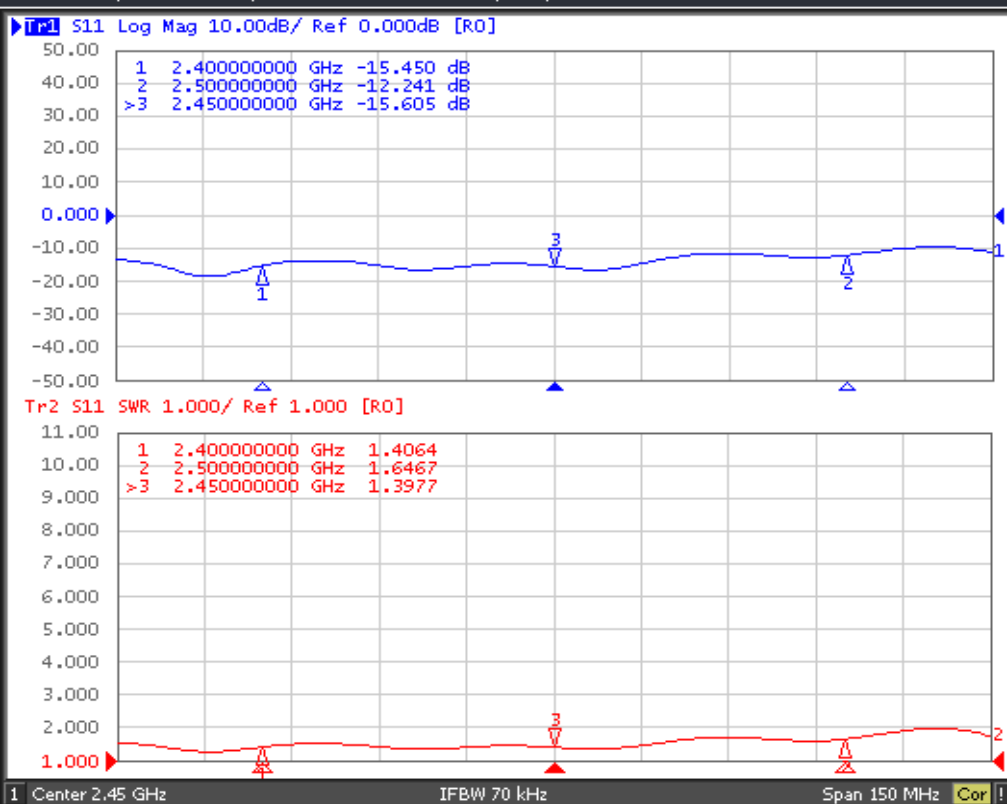
Tel: +886-3- 376- 5678 Fax: +886-3- 376- 5319 E-Mail: [service@evercomtech.com](mailto:service@evercomtech.com)



	EVERCOM COMMUNICATION TECHNOLOGY CO.; LTD			CHECKED BY	APPROVAL BY	DESIGNED BY	SCALE	UNIT
	MODEL NAME	MODEL NO.	WLO-M79SMA(RP)-M3		<i>Ben</i> 2016.03.15	C.H.C 2016.03.15	1 : 2	mm

Evercom Communication Technology Co., Ltd. Frequency Inspection Report

1 Active Ch/Trace 2 Response 3 Stimulus 4 Mkr/Analysis 5 Instr State



System

Print

Abort Printing

Printer Setup...

Invert Image  
ON

Dump  
Screen Image...

E5091A Setup

Misc Setup

Backlight  
ON

Firmware  
Revision

Meas Stop ExtRef Ready Svc 2018-10-12 10:01

Item No. : WCG-WLO-M79SMA(RP)-M3

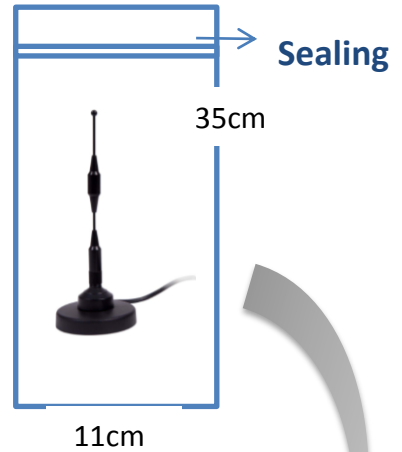
Inspector: Amber



*The World Wide Leader in Antenna*

# Packaging

**\*1 pc Antenna  
PE bag/ each**



**25 pcs per carton  
Carton Dimensions:40\*30\*20cm**

