



The World Wide Leader in Antenna

2.4G Antenna

PANEL-01



Frequency : 2.4-2.5GHz

Gain : 9dBi

V.S.W.R : <2.0:1

Impedance : 50 ohm

Max Power : 20W

Connector : N Female

Material : ABS Polymer

Weight: ≈ 700g

Color : Gray

Polarization : Linear (H) or (V)

Mount : U-Bolts Type

Lightning Protection : DC ground

Temperature: -20°C to +60°C

Wind Load : 60km/h

Dimension : 218 X 125mm

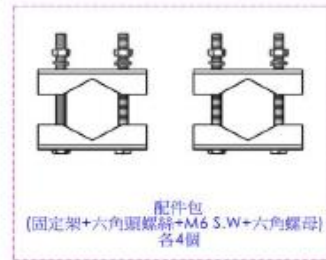
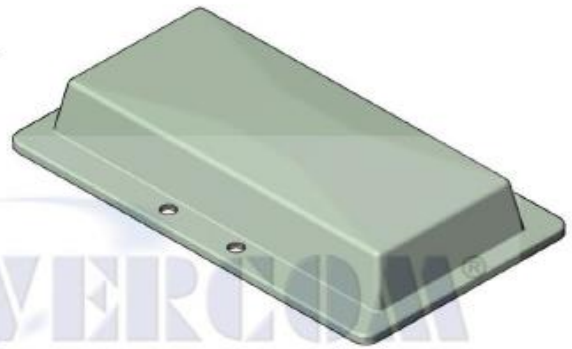
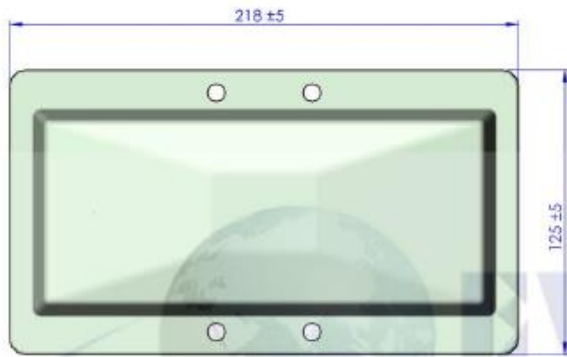
EVERCOM COMMUNICAITON TECHNOLOGY CO., LTD.

No.108 Jiesin St. Taoyuan District Taoyuan City 33063, Taiwan R.O.C.

Tel: +886-3- 376- 5678 Fax: +886-3- 376- 5319 E-Mail: service@evercomtech.com



ISO 9001



EVERCOM COMMUNICATION TECHNOLOGY CO.; LTD

CHECKED BY

APPROVAL BY

DESIGNED BY

SCALE

UNIT

MODEL NAME

MODEL NO.

PANEL-01

Ben
20131024

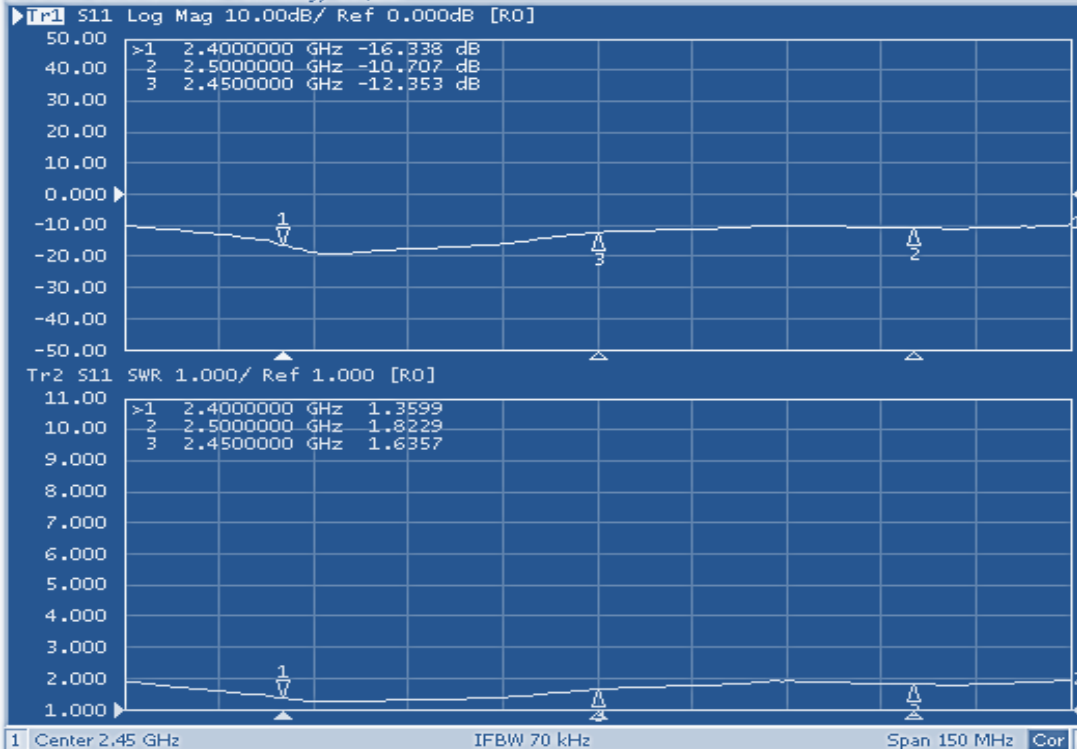
C.H.C
2013.10.22

1 : 2

mm

1 Active Ch/Trace 2 Response 3 Stimulus 4 Mkr/Analysis 5 Instr State

Evercom Communication Technology Co.,Ltd.



System

Print

Abort Printing

Printer Setup...

Invert Image
ON

Dump Screen Image...

Multiport Test Set Setup

Misc Setup

Backlight
ON

Firmware Revision

1 Center 2.45 GHz IFBW 70 kHz Span 150 MHz Cor

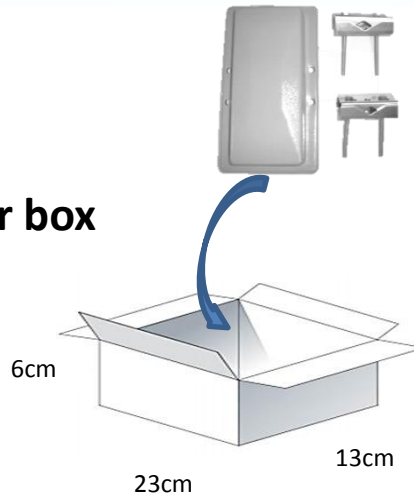
Meas Stop ExtRef Ready Svc 2014-02-07 16:11



The World Wide Leader in Antenna

Packaging

A set of antenna put in an inner box



10 pcs per carton
Carton Dimensions: 34.8*29.9*24.5cm

