



The World Wide Leader in Antenna

2.4G Antenna

PANEL-02



Frequency : 2.4-2.5GHz

Gain : 12dBi

V.S.W.R : <2.0:1

Impedance : 50 ohm

Max Power : 20W

Connector : N Female

Material : ABS Polymer

Weight: ≈ 800g

Color : Gray

Polarization : Linear (H) or (V)

Mount : U-Bolt Type

Lightning Protection : DC ground

Temperature : -20°C to +60°C

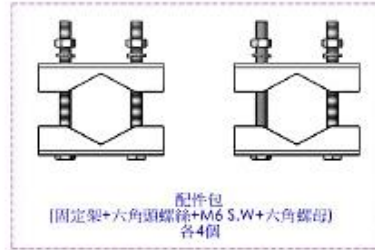
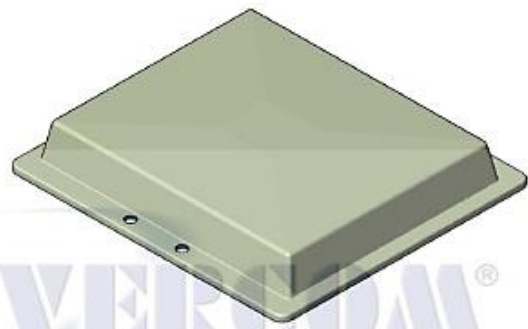
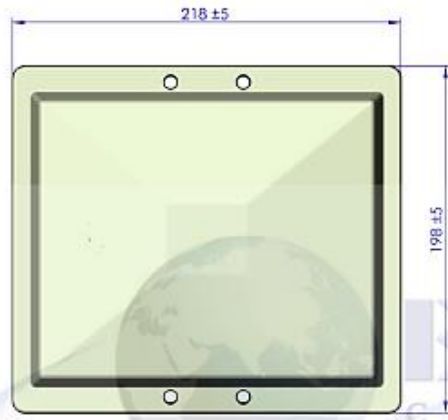
Wind Load : 60km/h

Dimension : 218 X 198mm

EVERCOM COMMUNICAITON TECHNOLOGY CO., LTD.

No.108 Jiesin St. Taoyuan District Taoyuan City 33063, Taiwan R.O.C.

Tel: +886-3- 376- 5678 Fax: +886-3- 376- 5319 E-Mail: service@evercomtech.com



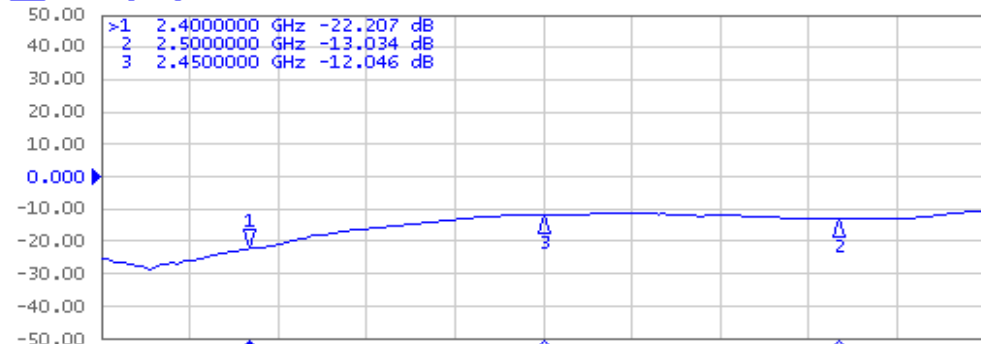
	EVERCOM COMMUNICATION TECHNOLOGY CO., LTD			CHECKED BY	APPROVAL BY	DESIGNED BY	SCALE	UNIT
	MODEL NAME	MODEL NO.	PANEL-02		<i>Ben</i> 20131024	C.H.C. 2013.10.22	1 : 2.5	mm

Evercom Communication Technology Co., Ltd. Frequency Inspection Report

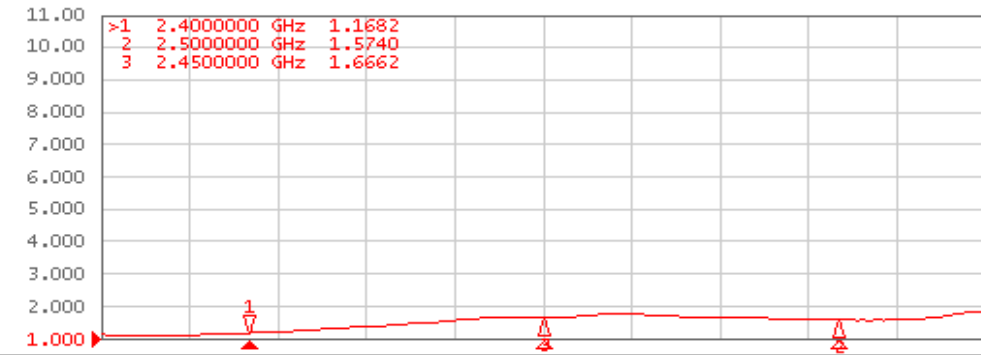
1 Active Ch/Trace 2 Response 3 Stimulus 4 Mkr/Analysis 5 Instr State

Evercom Communication Technology Co., Ltd.

Tr1 S11 Log Mag 10.00dB/ Ref 0.000dB [R0]



Tr2 S11 SWR 1.000/ Ref 1.000 [R0]



1 Center 2.45 GHz IFBW 70 kHz Span 150 MHz Cor |

Meas Stop ExtRef Ready Svc 2017-08-04 11:20

Item No. : WG-PANEL-02

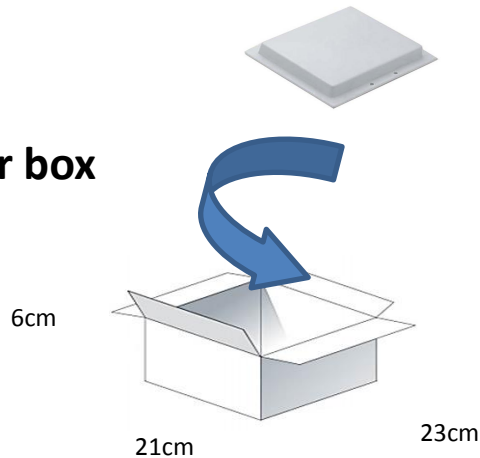
Inspector: Amber



The World Wide Leader in Antenna

Packaging

A set of antenna put in an inner box



10 pcs per carton
Carton Dimensions: 44.8*24.8*35.8cm

