



The World Wide Leader in Antenna

2.4G Antenna

PANEL-03L



Frequency : 2.4-2.5GHz

Gain : 18dBi

V.S.W.R : <2.0:1

Impedance : 50 ohm

Connector : N Female

Material : ABS Polymer

Weight : ≐ 2300g

Dimension : 395 x 395mm

Color: Dark Gray

Polarization : Linear (H) or (V)

Mount : AC-PHOLD/EVA

Max Power : 150W

Wind Load : 120 km/h

Horizontal Beam width : 18 degree

Vertical Beam width : 18 degree

Lightning Protection : DC ground

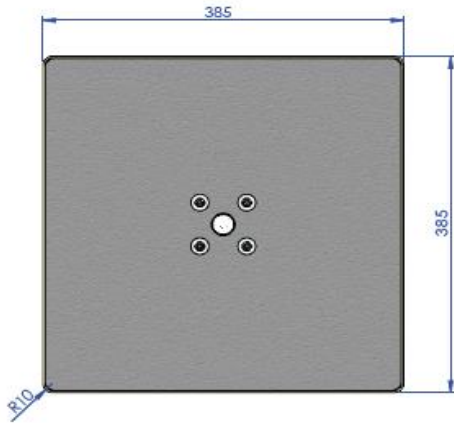
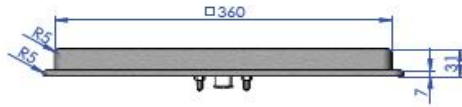
Temperature : -20°C to +60°C

EVERCOM COMMUNICAITON TECHNOLOGY CO., LTD.

No.108 Jiesin St. Taoyuan District Taoyuan City 33063, Taiwan R.O.C.

Tel: +886-3- 376- 5678 Fax: +886-3- 376- 5319 E-Mail: service@evercomtech.com

DATE	DESCRIPTION	REV
2021.10.18	DRAFT	B



EVERCOM COMMUNICATION TECHNOLOGY CO.; LTD

CHECKED BY

APPROVAL BY

DESIGNED BY

SCALE

UNIT

MODEL NAME

PANEL-03L

C.H.C

2012.09.18

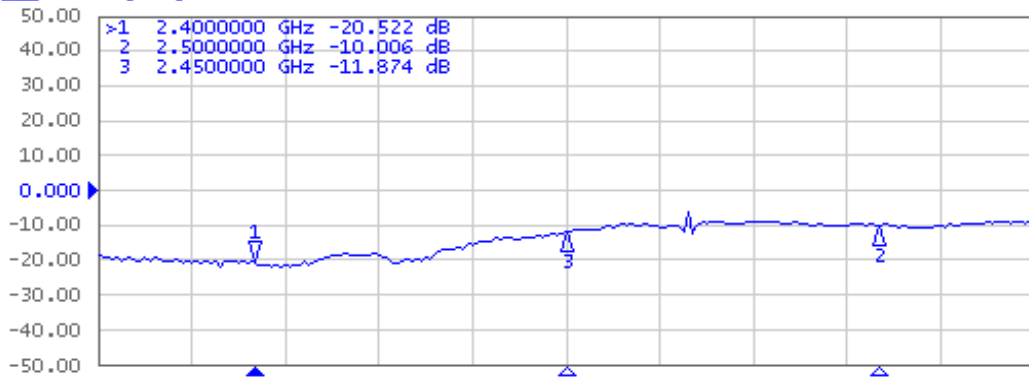
1 : 2

mm

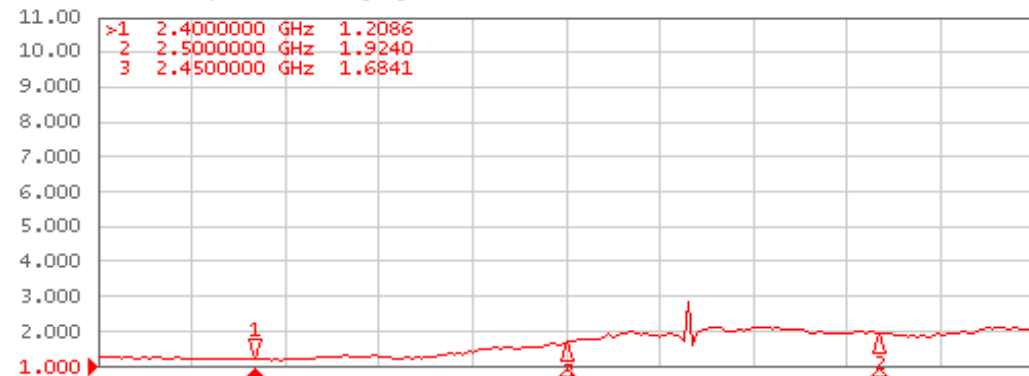
1 Active Ch/Trace 2 Response 3 Stimulus 4 Mkr/Analysis 5 Instr State

Evercom Communication Technology Co.,Ltd.

▶ Tr1 S11 Log Mag 10.00dB/ Ref 0.000dB [R0]



Tr2 S11 SWR 1.000/ Ref 1.000 [R0]



1 Center 2.45 GHz

IFBW 70 kHz

Span 150 MHz

Cor

System

Print

Abort Printing

Printer Setup...

Invert Image

ON

Dump Screen Image...

Multiport Test Set Setup

Misc Setup

Backlight

ON

Firmware

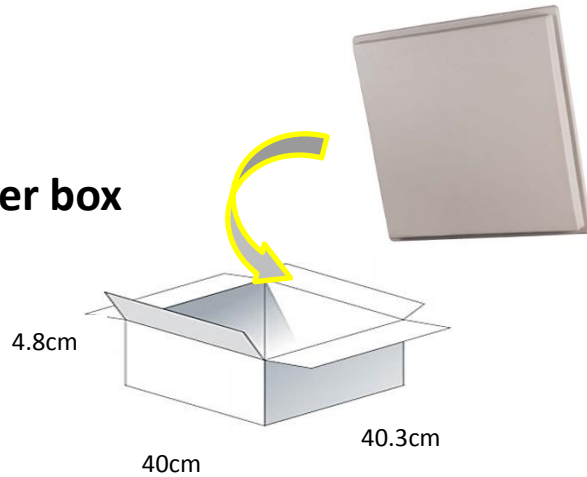
Revision



The World Wide Leader in Antenna

Packaging

A set of antenna put in an inner box



10 pcs per carton
Carton Dimensions: 53*42.1*42.7cm

