



The World Wide Leader in Antenna

# 2.4G Antenna

## PANEL-05



Frequency : 2.4-2.5GHz

Gain : 18dBi

V.S.W.R : <2.0:1

Impedance : 50 ohm

Connector : N Female

Material : ABS Polymer

Weight : ≈ 2100 g

Dimensions : 387 x 387mm

Color : Dark Gray

Polarization : Linear (H) or (V)

Mount : AC-PHOLD/MT

Max Power : 150W

Wind Load : 120 km/h

Horizontal Beam width : 18 degree

Vertical Beam width : 18 degree

Lightning Protection : DC ground

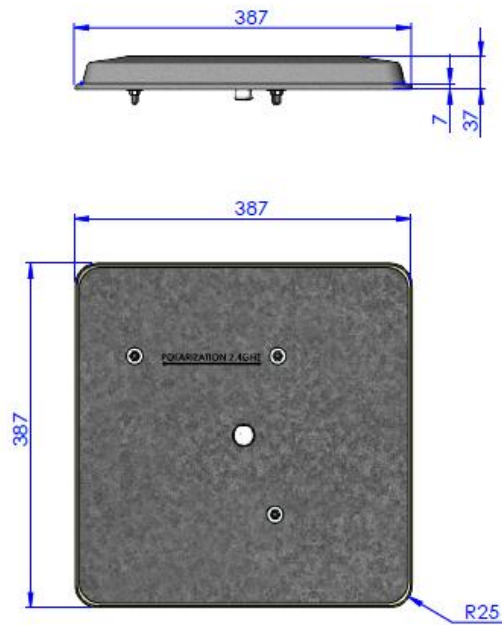
Temperature : -20°C to +60°C

EVERCOM COMMUNICAITON TECHNOLOGY CO., LTD.

No.108 Jiesin St. Taoyuan District Taoyuan City 33063, Taiwan R.O.C.

Tel: +886-3- 376- 5678 Fax: +886-3- 376- 5319 E-Mail: service@evercomtech.com

DATE	DESCRIPTION	REV
2021.11.19	DRAFT	A



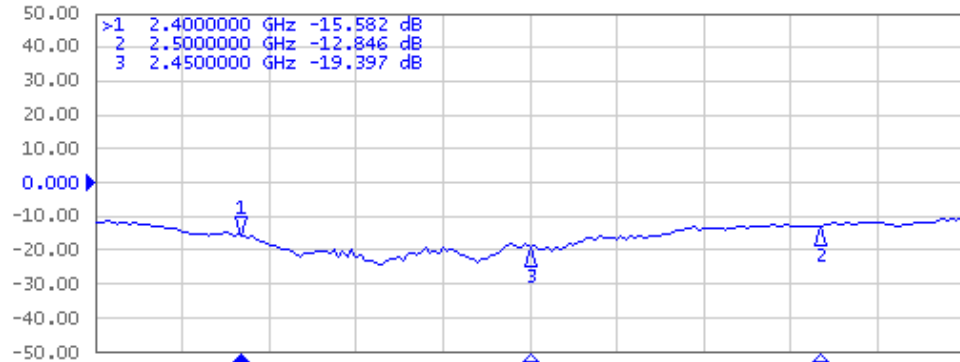
	EVERCOM COMMUNICATION TECHNOLOGY CO.; LTD		CHECKED BY	APPROVAL BY	DESIGNED BY	SCALE	UNIT
	MODEL NO.	PANEL-05			Y.W.C 2021.11.19	1:5	mm

### Evercom Communication Technology Co., Ltd. Frequency Inspection Report

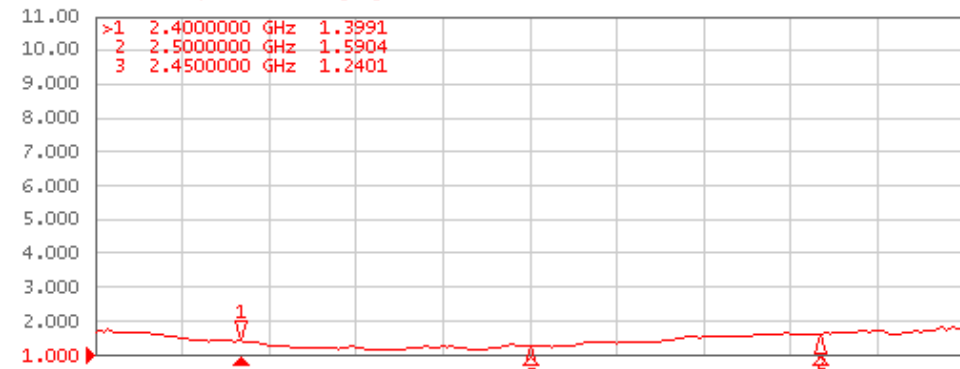
1 Active Ch/Trace 2 Response 3 Stimulus 4 Mkr/Analysis 5 Instr State

Evercom Communication Technology Co.,Ltd.

Tr1 S11 Log Mag 10.00dB/ Ref 0.000dB [R0]



Tr2 S11 SWR 1.000/ Ref 1.000 [R0]



1 Center 2.45 GHz IFBW 70 kHz Span 150 MHz Cor !

System

▲

Print

Abort Printing

Printer Setup...

Invert Image

ON

Dump Screen Image...

Multiport Test Set Setup

Misc Setup

Backlight

ON

Firmware Revision

▼

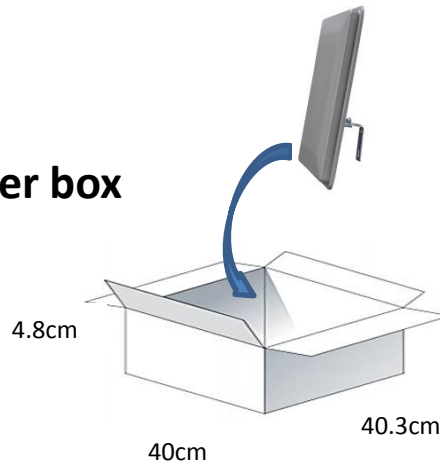
Meas Stop ExtRef Ready Svc 2012-02-23 10:29



*The World Wide Leader in Antenna*

# Packaging

A set of antenna put in an inner box



10 pcs per carton  
Carton Dimensions: 57\*42.7\*43cm

