



The World Wide Leader in Antenna

2.4G Antenna

PANEL-66



Frequency : 2.4-2.5GHz

Gain : 14dBi

V.S.W.R : <2.0:1

Impedance : 50 ohm

Connector : N Female

Material : ABS Polymer

Weight : ≐ 2000g

Dimension : 490 x 170 x 90mm

Color : Gary

Polarization : Vertical

Mount : U-Bolts

Max Power : 100W

Wind Load : 60 km/h

Horizontal Beam width : 120 degree

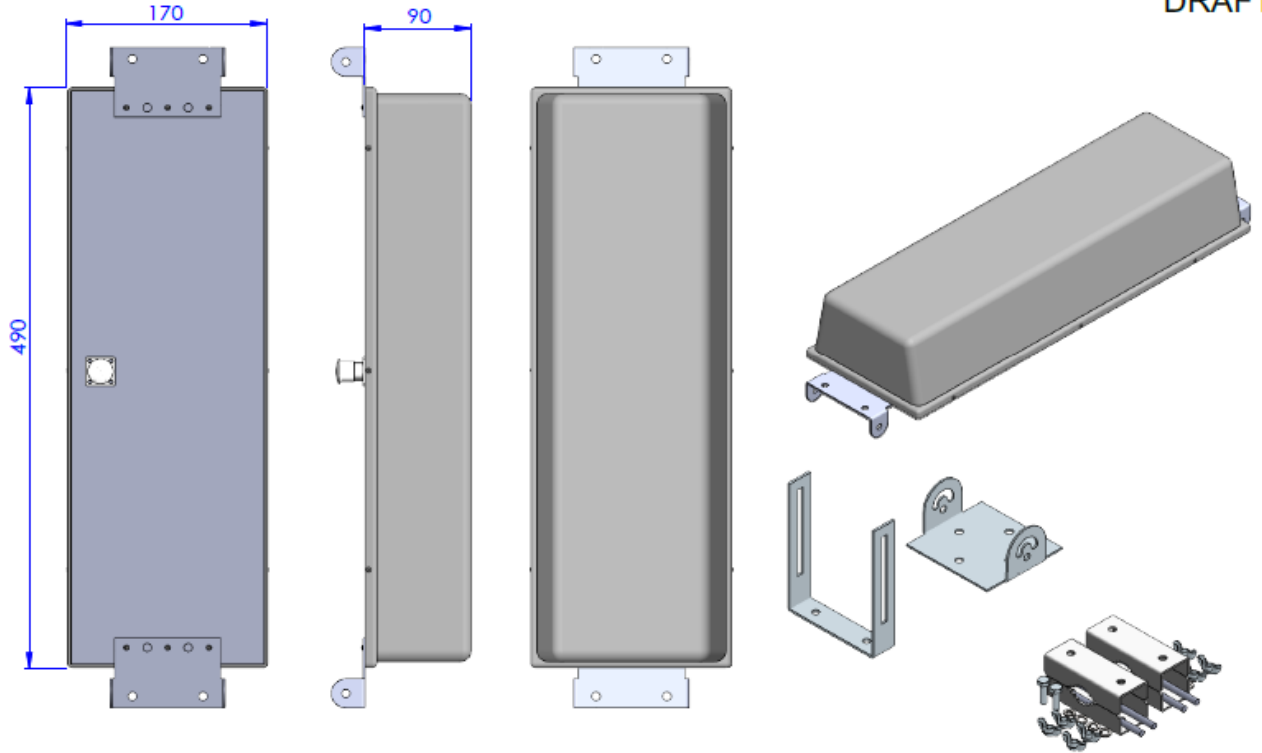
Lightning Protection : DC ground

Temperature : -20°C to +60°C

EVERCOM COMMUNICAITON TECHNOLOGY CO., LTD.

No.108 Jiesin St. Taoyuan District Taoyuan City 33063, Taiwan R.O.C.

Tel: +886-3- 376- 5678 Fax: +886-3- 376- 5319 E-Mail: service@evercomtech.com



	EVERCOM COMMUNICATION TECHNOLOGY CO; LTD		CHECKED BY	APPROVAL BY	DESIGNED BY	SCALE	UNIT
	MODEL NO.	PANEL-66NF			Y.W.C 2021.12.07	1:4	mm

Evercom Communication Technology Co., Ltd. Frequency Inspection Report

1 Active Ch/Trace 2 Response 3 Stimulus 4 Mkr/Analysis 5 Instr State

Evercom Communication Technology Co.,Ltd.

▶ Tr3 S11 Log Mag 10.00dB/ Ref 0.000dB [R0]

>1	2.4000000	GHz	-17.515	dB
2	2.5000000	GHz	-13.443	dB
3	2.4500000	GHz	-13.939	dB

Tr2 S11 SWR 1.000/ Ref 1.000 [R0]

>1	2.4000000	GHz	1.3073
2	2.5000000	GHz	1.5405
3	2.4500000	GHz	1.5029

1 Center 2.45 GHz IFBW 70 kHz Span 150 MHz Cor

Meas Stop ExtRef Ready Svc 2014-02-07 16:16

- System
- Print
- Abort Printing
- Printer Setup...
- Invert Image ON
- Dump Screen Image...
- Multiport Test Set Setup
- Misc Setup
- Backlight ON
- Firmware Revision

Item No. : WC-PANEL-66NF

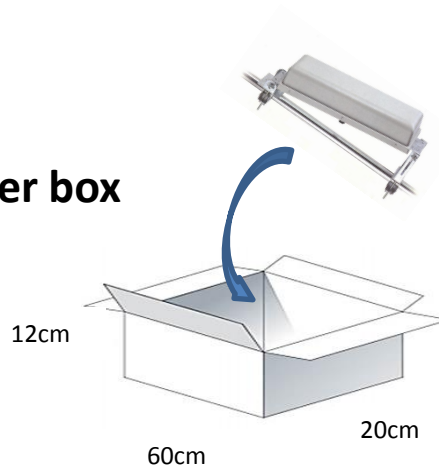
Inspector: Amber



The World Wide Leader in Antenna

Packaging

A set of antenna put in an inner box



10 pcs per carton
Carton Dimensions: 68*43*63cm

