



*The World Wide Leader in Antenna*

# 2.4G Antenna

## WLP-815



Frequency : 2.4-2.5GHz

Gain : 3dBi

V.S.W.R : <2.0:1

Impedance : 50 ohm

Connector : SMA,FME (Optional)

Cable : RG174 (Optional)

Material : ABS Polymer

Weight : ≐ 60g

Color : Black

Mount : 3M Tape

Polarization : Vertical

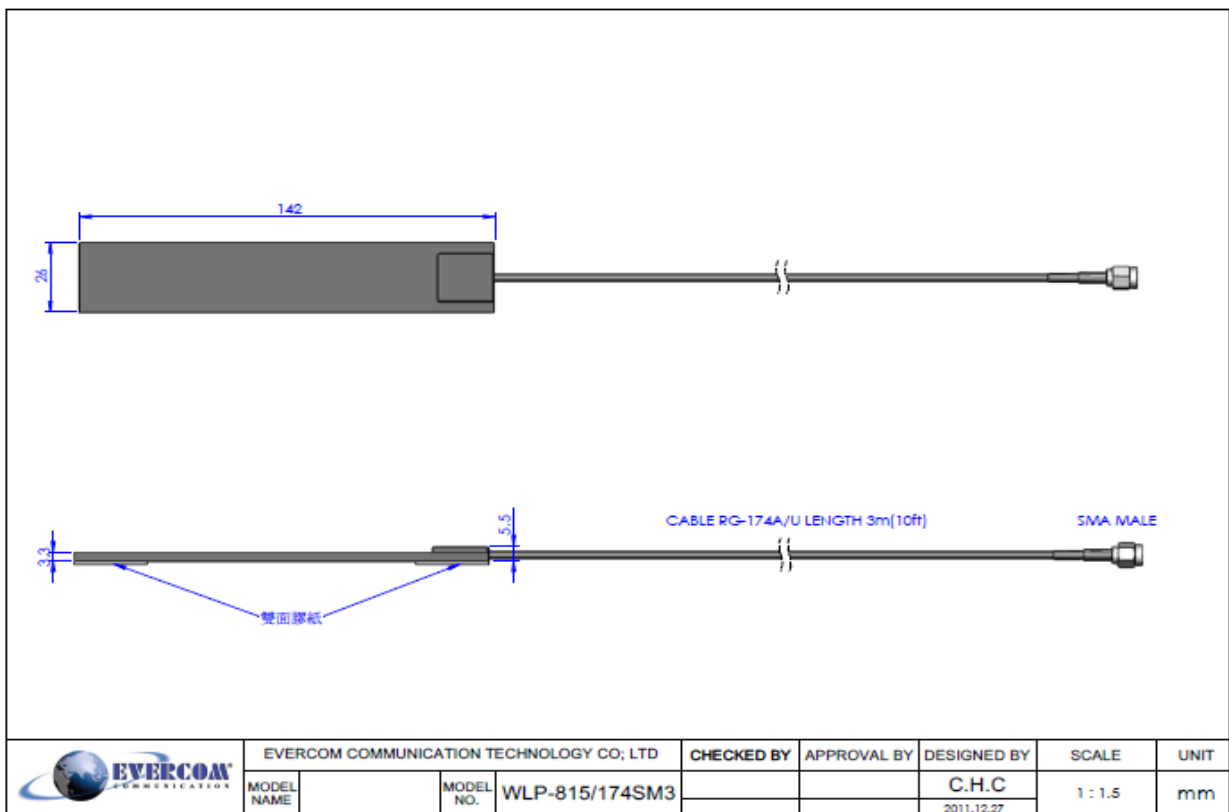
Temperature : -20°C to +60°C

Dimension : 142 X 26mm

**EVERCOM COMMUNICAITON TECHNOLOGY CO., LTD.**

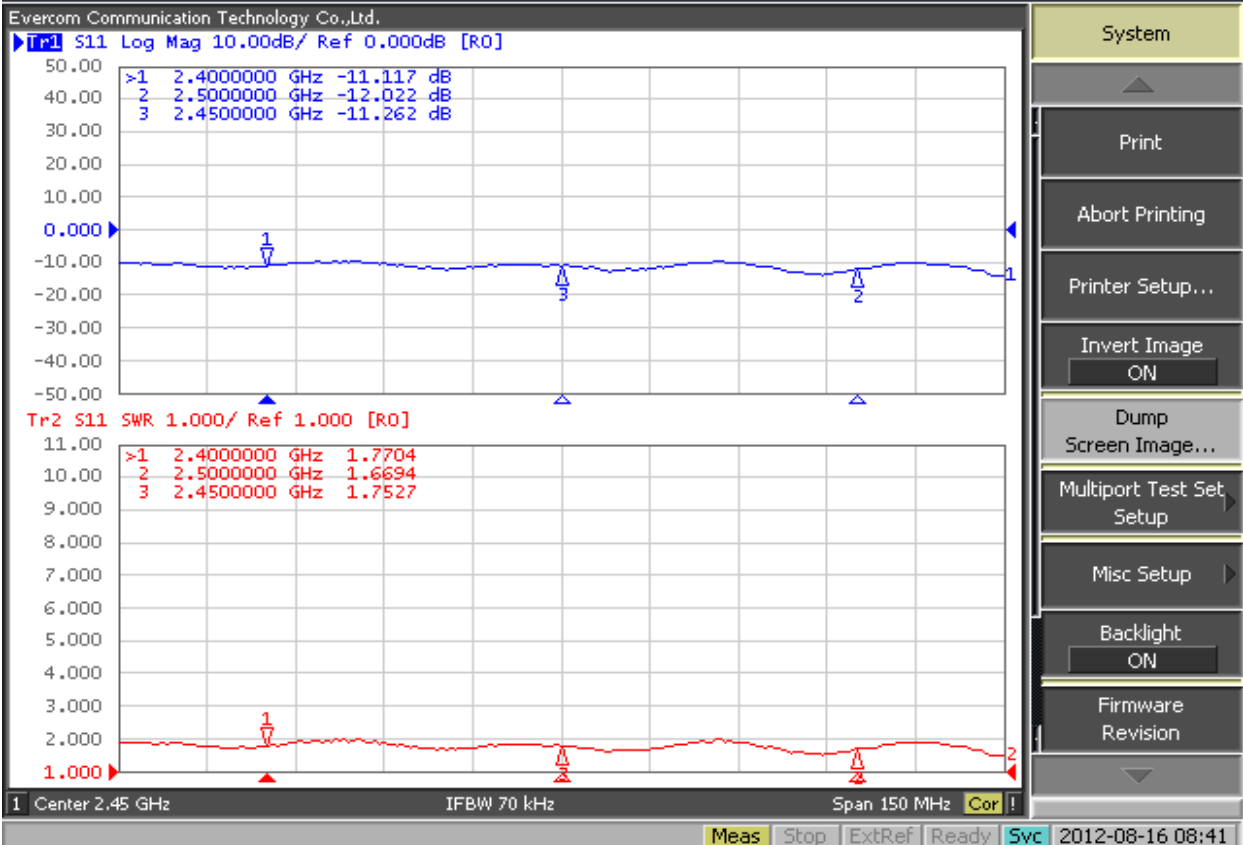
No.108 Jiesin St. Taoyuan District Taoyuan City 33063, Taiwan R.O.C.

Tel: +886-3- 376- 5678 Fax: +886-3- 376- 5319 E-Mail: [service@evercomtech.com](mailto:service@evercomtech.com)



Evercom Communication Technology Co., Ltd. Frequency Inspection Report

1 Active Ch/Trace 2 Response 3 Stimulus 4 Mkr/Analysis 5 Instr State



System

Print

Abort Printing

Printer Setup...

Invert Image  
ON

Dump  
Screen Image...

Multiport Test Set  
Setup

Misc Setup

Backlight  
ON

Firmware  
Revision

Item No. : WG-WLP-815/174SM3

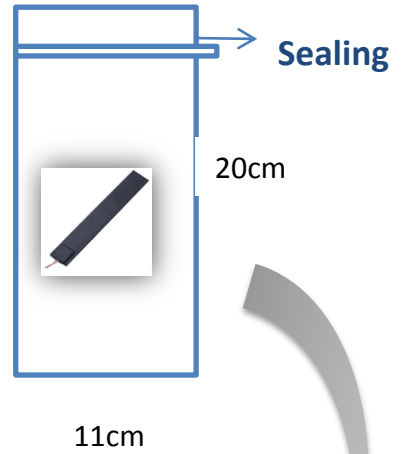
Inspector: Amber



*The World Wide Leader in Antenna*

# Packaging

**\*1 pc Antenna  
PE bag/ each**



**100 pcs per carton  
Carton Dimensions:40\*30\*20cm**

