

4G LTE

# 4G LTE Antenna

## UMB-DP135



Frequency :700~2700MHZ

Gain : 5 dBi

Connector : SMA/Male (Optional)

V.S.W.R : &lt;1.5:1

Impedance : 50 ohm

Cable: N/A

Length: 136 mm

Weight: 15g

Material : ABS Polymer

Polarization: Linear (V or H)

Color: Black

Mount : SMA/M

Temperature: -20°C to + 65°C

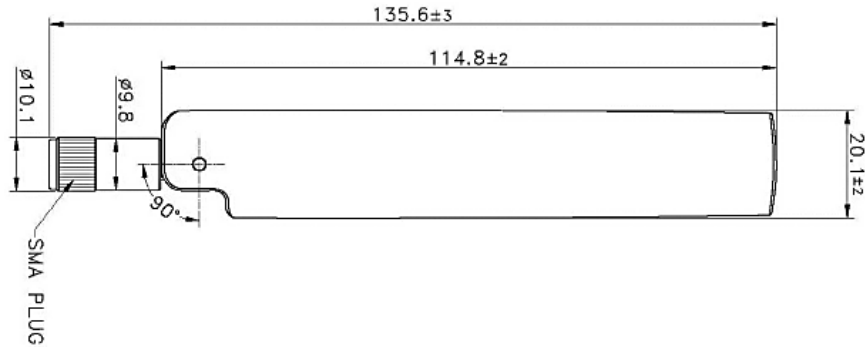
Electrical Wave:1/2λ Dipole

Max. Power: 30W

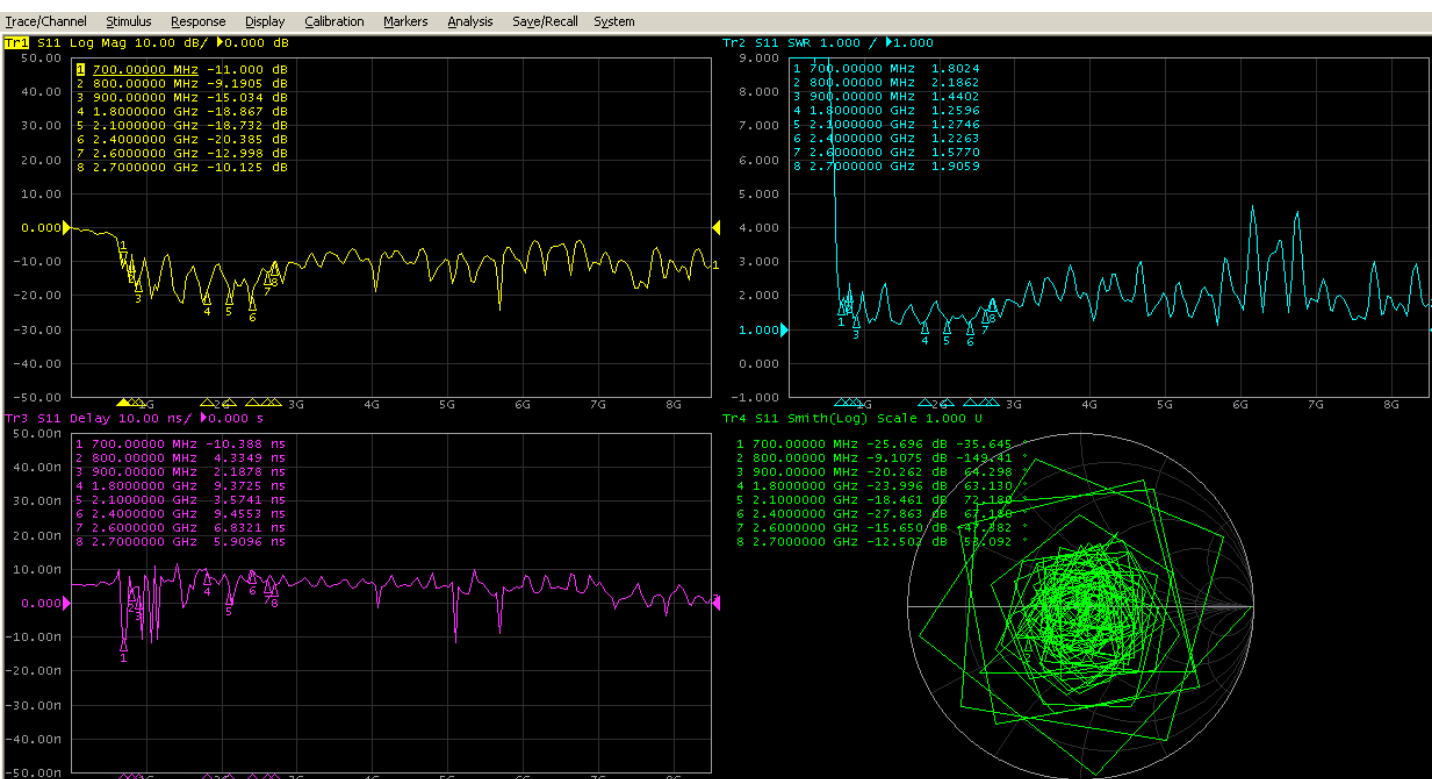
© 2016 EVERCOM COMMUNICATION TECHNOLOGY CO., LTD.

No.108 Jiesin St. Taoyuan District Taoyuan City 33063, Taiwan R.O.C.

Tel: +886-3- 376- 5678 Fax: +886-3- 376- 5319 E-Mail: [service@evercomtech.com](mailto:service@evercomtech.com)



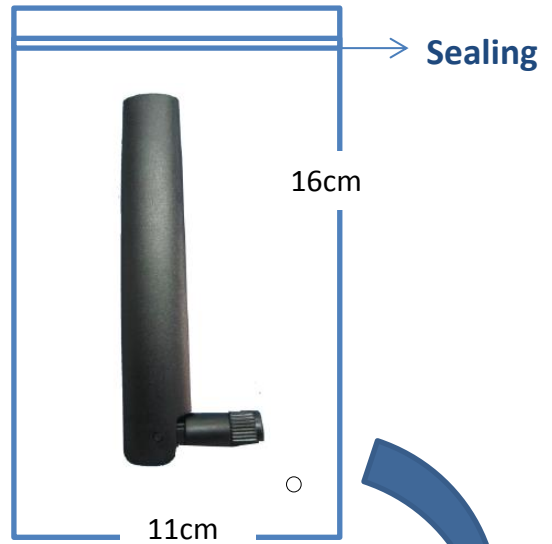
	EVERCOM COMMUNICATION TECHNOLOGY CO., LTD			CHECKED BY	APPROVAL BY	DESIGNED BY	SCALE	UNIT
	MODEL NAME	MODEL NO.	XG-UMB-DP135		<i>Ben</i> 20161011	C.H.C 2016.09.29	1:2	mm



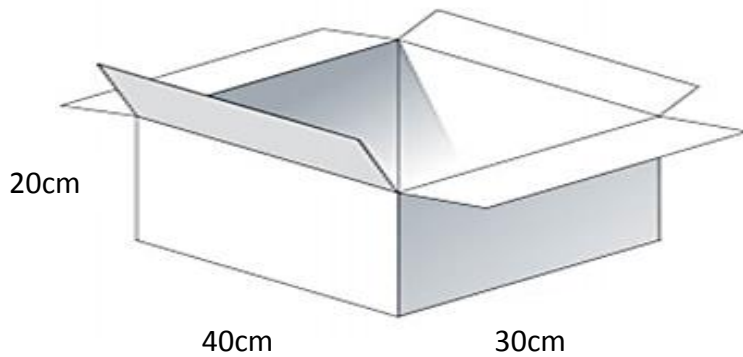
4G LTE

# Packaging

Antenna pack in a poly bag



1000 PCS Per Carton  
Carton Dimensions:40\*30\*20cm



4G LTE

# Antenna Applications

