

4G LTE

4G LTE OMNI Directional Antenna

UMB-OM-90KIT



Frequency: 700~2700MHZ

Gain: 4dBi

Connector: N/F (Optional)

V.S.W.R: <2:1

Impedance: 50 Ohm

Cable: CFD 195 4.8M (Optional)

Weight: 1.02kgs

Material: ABS Polymer

Polarization: Vertical

Color: Light Gray

Mounting: L Type Mount

Temperature: -20°C to + 60°C

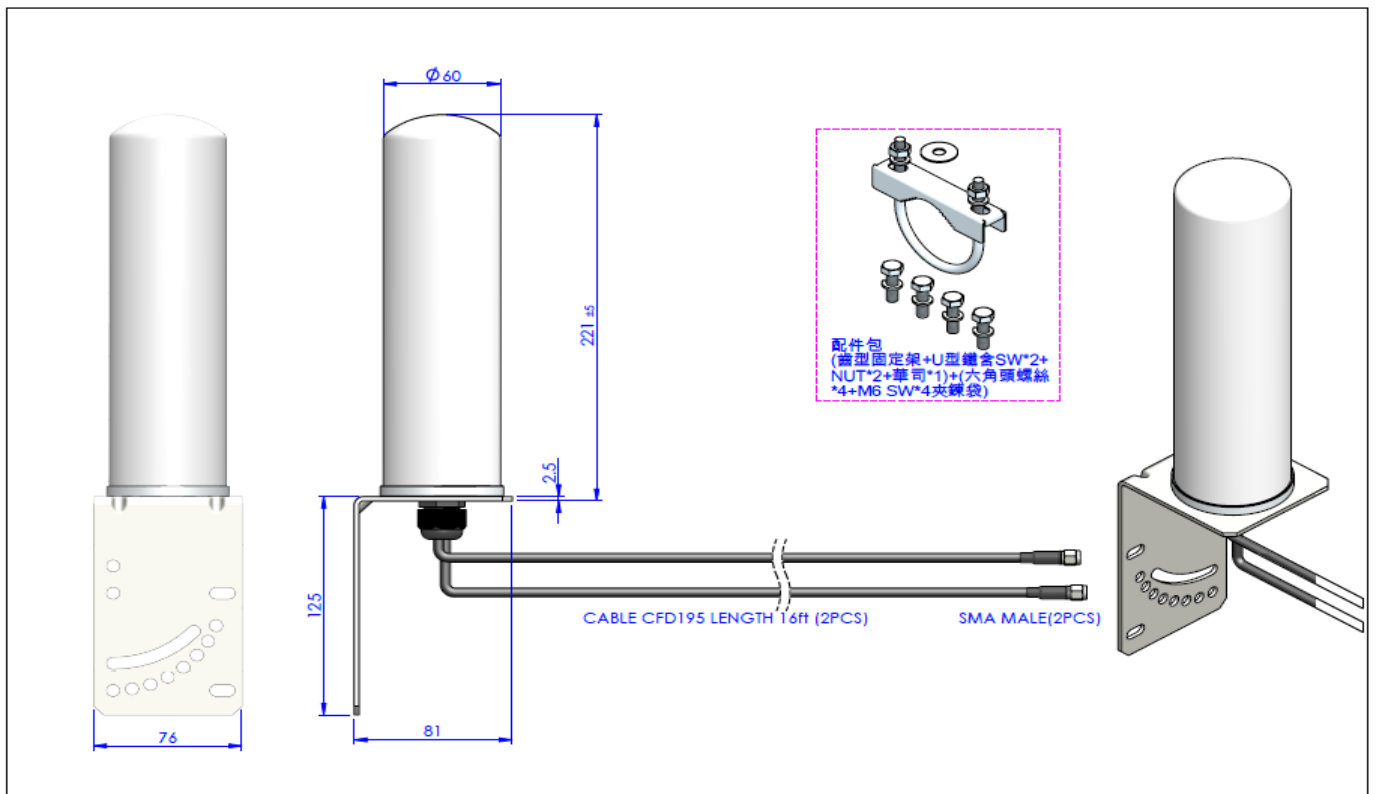
Max. Power: 100W

Dimension: ϕ 222x60mm

© 2018 EVERCOM COMMUNICATION TECHNOLOGY CO., LTD.

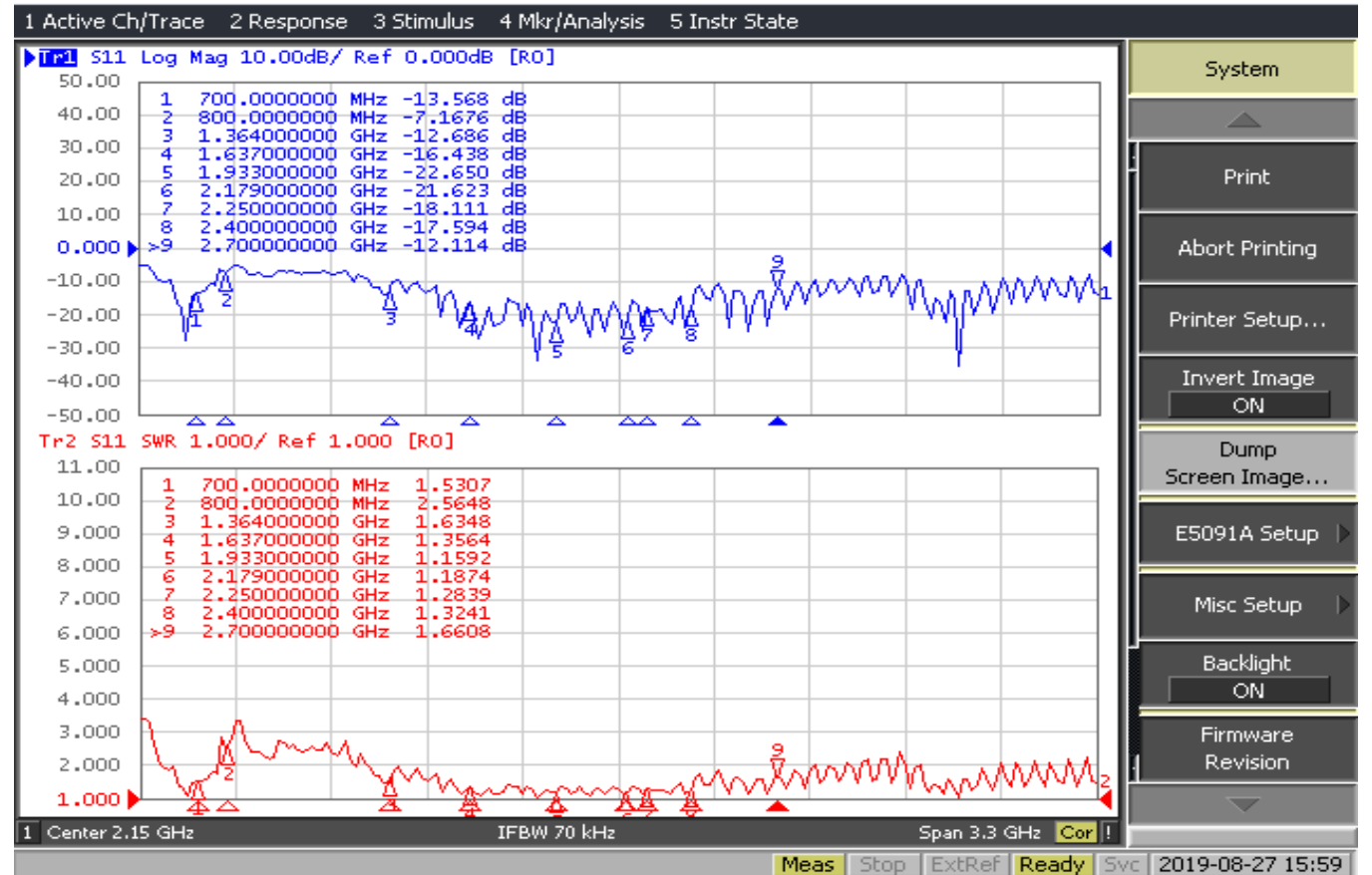
No.108 Jiesin St. Taoyuan District Taoyuan City 33063, Taiwan R.O.C.

Tel: +886-3- 376- 5678 Fax: +886-3- 376- 5319 E-Mail: service@evercomtech.com



配件包
(筒型固定架+U型鐵盒SW*2+
NUT*2+華司*1)+(六角頭螺絲
*4+M6 SW*4夾鍊袋)

	EVERCOM COMMUNICATION TECHNOLOGY CO.; LTD		CHECKED BY	APPROVAL BY	DESIGNED BY	SCALE	UNIT
	MODEL NO.	UMB-OM90-KIT / 195SM4.8			C.H.C 2017.06.31	1:2	mm



System

Print

Abort Printing

Printer Setup...

Invert Image
ON

Dump
Screen Image...

E5091A Setup ▶

Misc Setup ▶

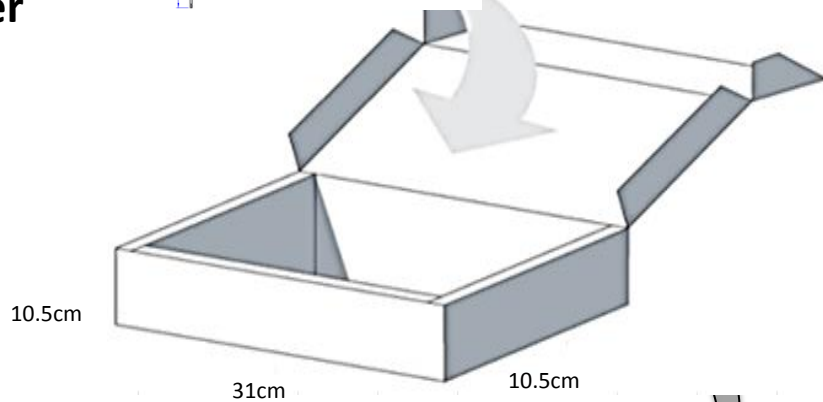
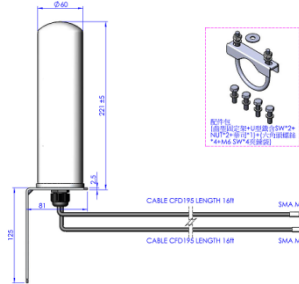
Backlight
ON

Firmware
Revision

4G LTE

Packaging

Each antenna pack in a inner white box



20 PCS Per Carton
Carton Dimensions: 56*32*46cm

