

4G LTE

4G LTE Magnet Mount Antenna

UMB-TC-208A



Frequency : 700~2700MHZ

Gain : 7dBi

Connector : SMA/Male (Optional)

V.S.W.R : <1.5:1

Impedance : 50ohm

Cable : RG58 3M (Optional)

Length: 640mm

Weight: 500g

Material: Steel

Polarization : Vertical

Color : Black

Mounting : Magnet Type

Temperature: -30°C to +80°C

Max. Power: 50W

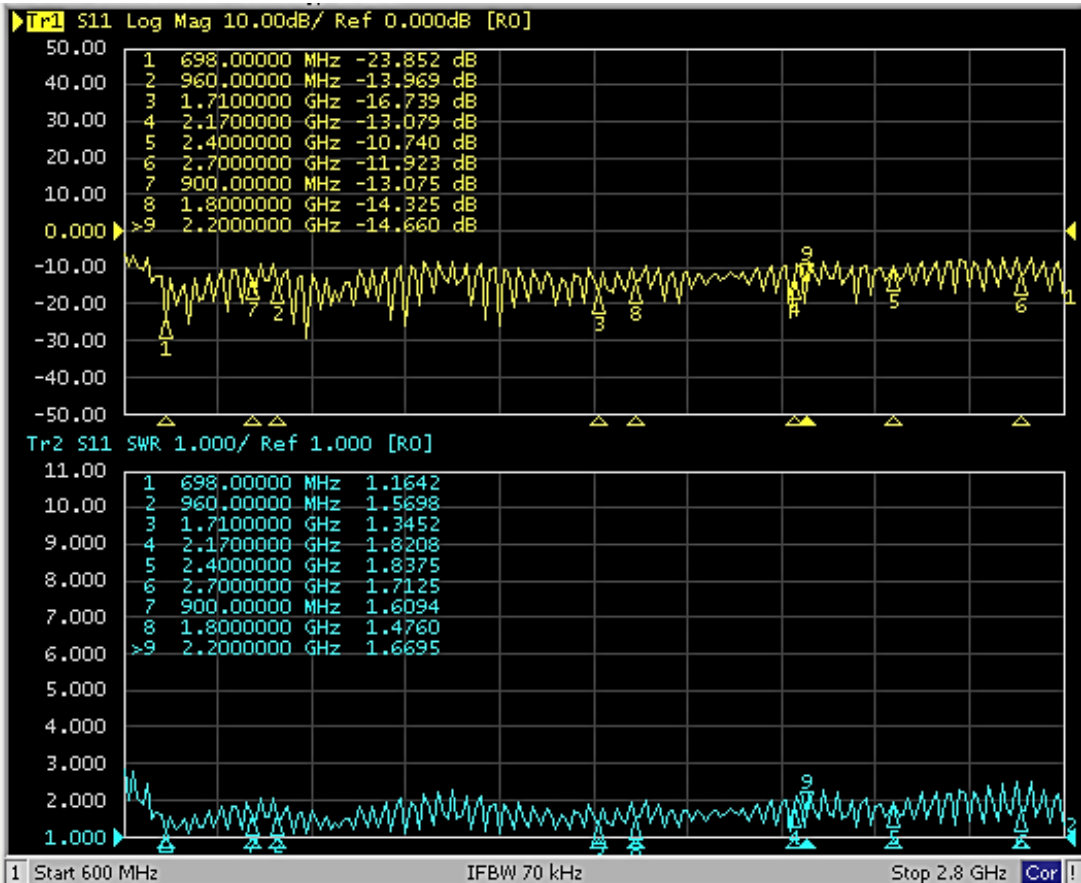
© 2016 EVERCOM COMMUNICATIONS TECHNOLOGY CO., LTD.

No.108 Jiesin St. Taoyuan District Taoyuan City 33063, Taiwan R.O.C.

Tel: +886-3- 376- 5678 Fax: +886-3- 376- 5319 E-Mail: service@evercomtech.com



	EVERCOM COMMUNICATION TECHNOLOGY CO; LTD			CHECKED BY	APPROVAL BY	DESIGNED BY	SCALE	UNIT
	MODEL NAME	MODEL NO.	UMB-TC208ASMA-M3		<i>Ben</i> 20150717	C.H.C 2015.03.12	1 : 2	mm



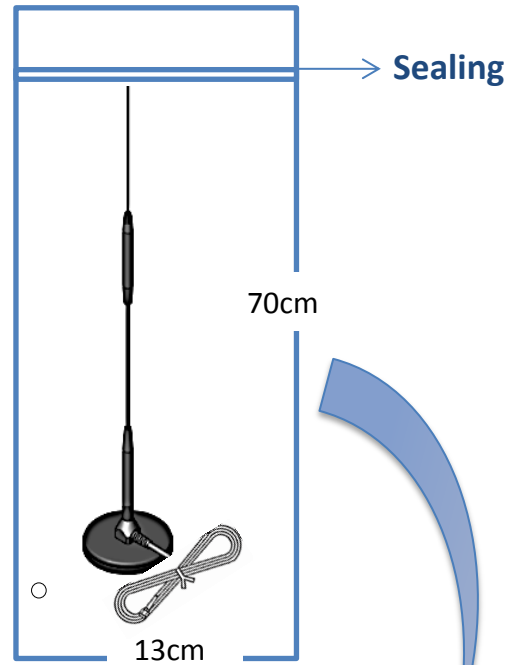
System

- Print
- Abort Printing
- Printer Setup...
- Invert Image
ON
- Dump Screen Image...
- Multiport Test Set Setup
- Misc Setup
- Backlight
ON
- Firmware Revision

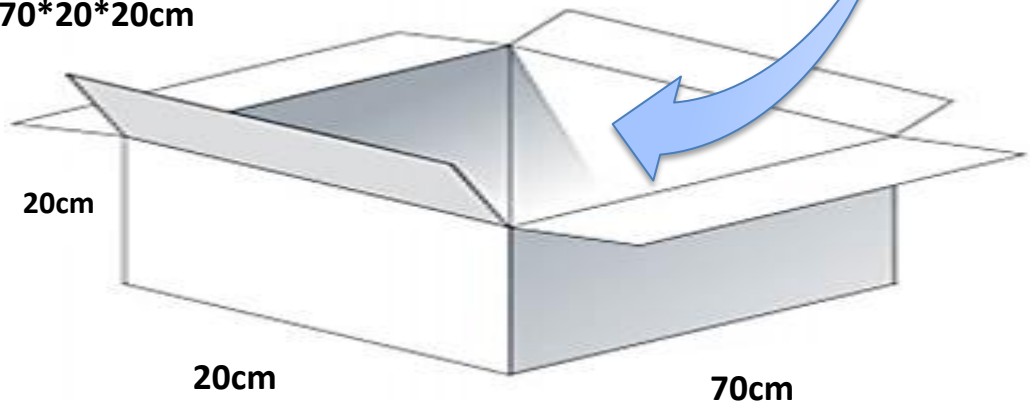
4G LTE

Packaging

*1 pcs Antenna PE bag/ each



*25 pcs Bulk /per carton
Carton Dimensions:70*20*20cm



4G LTE

Antenna Applications

