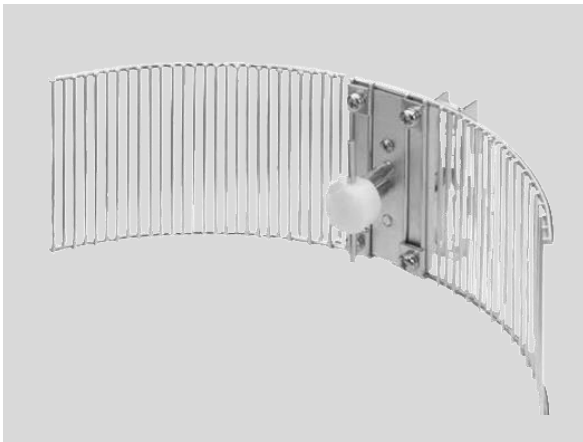


4G LTE

4G LTE Antenna

UMB-YAGI17/SF



Frequency : 700~2700MHZ

Gain : 5dBi

Connector : SMA-F Bulkhead

V.S.W.R : <2:1

Impedance : 50 ohm

Cable : N/A

Length : 473mm

Weight : 2kgs

Material : Steel

Polarization : Horizontal

Color : White Chrome

Mount : U-Bolts

Temperature : -20°C to +60°C

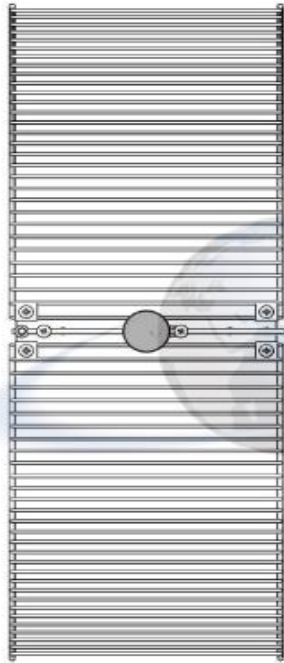
Max. Power : 50W

Light Port : DC Ground

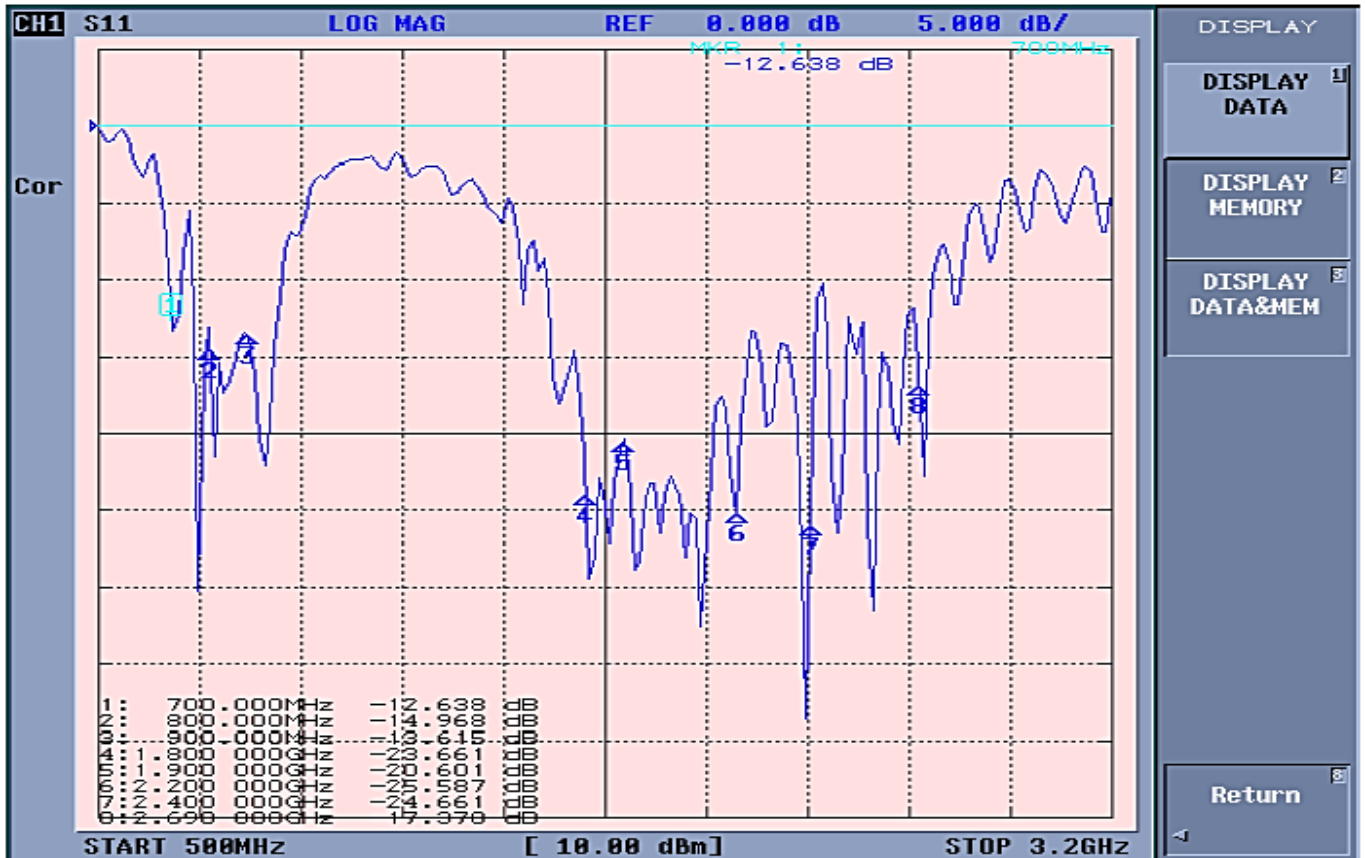
© 2016 EVERCOM COMMUNICATIONS TECHNOLOGY CO., LTD.

No.108 Jiesin St. Taoyuan District Taoyuan City 33063, Taiwan R.O.C.

Tel: +886-3- 376- 5678 Fax: +886-3- 376- 5319 E-Mail: service@evercomtech.com



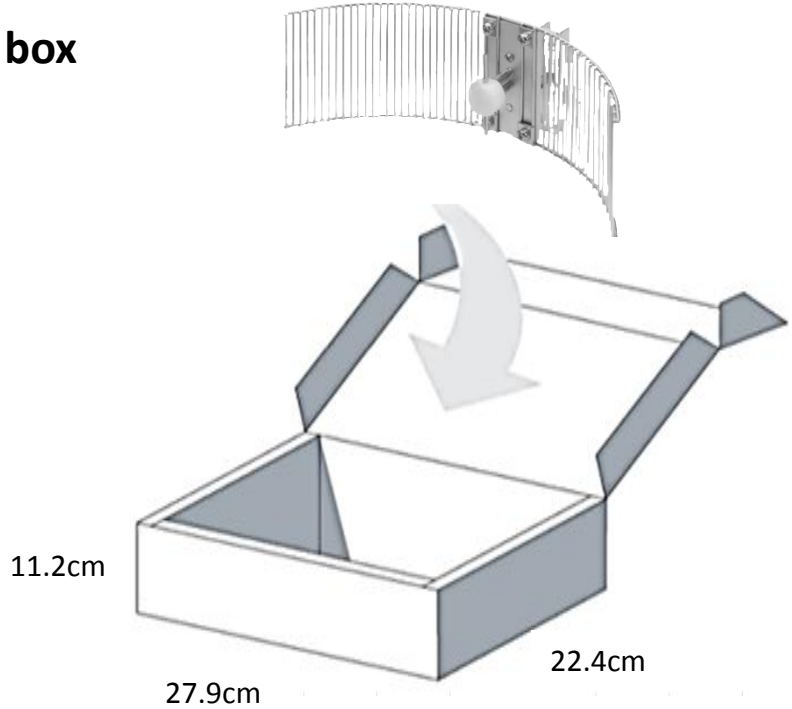
	EVERCOM COMMUNICATION TECHNOLOGY CO., LTD			CHECKED BY	APPROVAL BY	DESIGNED BY	SCALE	UNIT
	MODEL NAME	MODEL NO.	UMB-YAGI17/SF		<i>Ben</i> 20160219	C.H.C 2016.02.19	1:3	mm



4G LTE

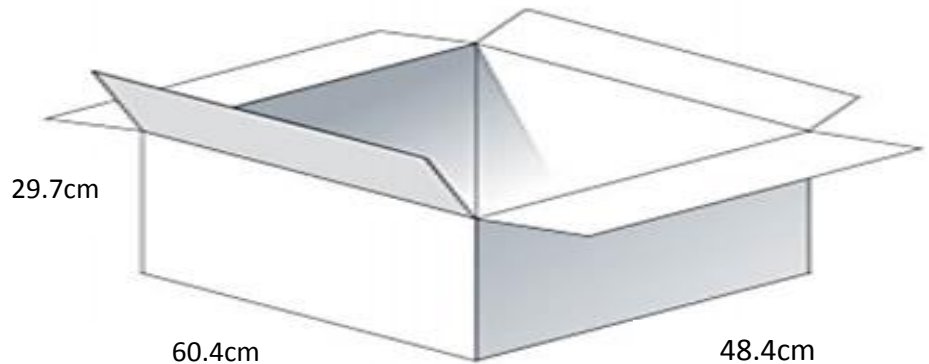
Packaging

A set antenna put in a white box



10 pcs white box per carton

Carton Dimensions: 60.4*29.7*48.4cm



4G LTE



Antenna Applications

