

4G LTE

4G LTE NMO Antenna

UMB-TC-258NMO



Frequency : 700~2700MHZ

Gain : 5dBi

V.S.W.R : <1.5:1

Impedance : 50ohm

Power : 50W

Connector : SMA/M (Optional)

Cable : RG58 (Optional)

Mounting : MNO Type

Polarization : Vertical

Color : Black

Length : 506mm

Weight : 110g

Material : Copper/ABS/TPR

Temperature : -20°C to +70°C

© 2018 EVERCOM COMMUNICAITON TECHNOLOGY CO., LTD.

No.108 Jiesin St. Taoyuan District Taoyuan City 33063, Taiwan R.O.C.

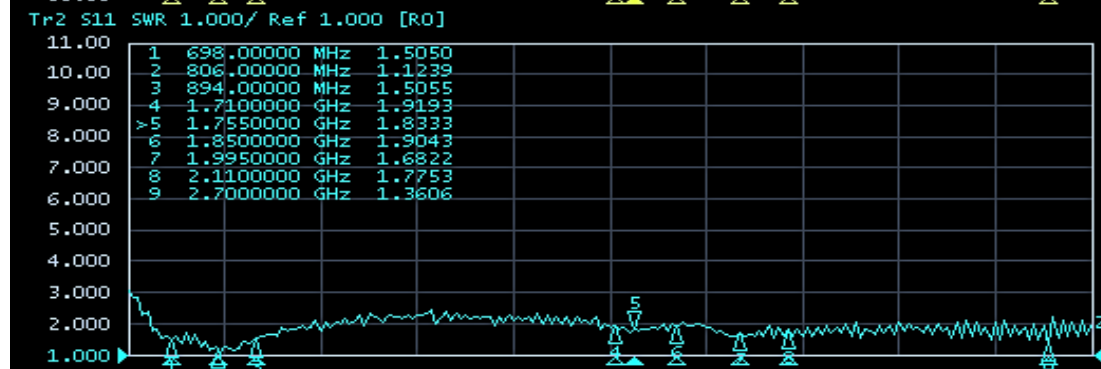
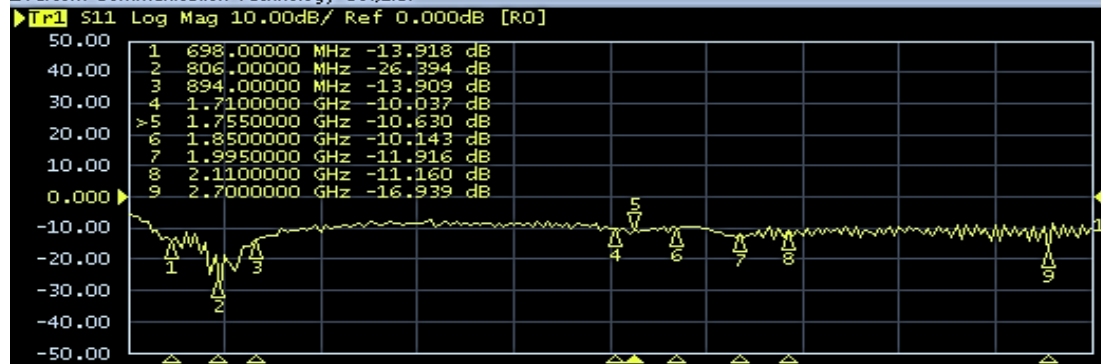
Tel: +886-3- 376- 5678 Fax: +886-3- 376- 5319 E-Mail: service@evercomtech.com



| | | | | | | | | |
|--|---|-----------|--------------|------------|------------------------|---------------------|-------|------|
| | EVERCOM COMMUNICATION TECHNOLOGY CO.; LTD | | | CHECKED BY | APPROVAL BY | DESIGNED BY | SCALE | UNIT |
| | MODEL NAME | MODEL NO. | UMB-TC258NMO | | <i>Ben</i> 20171107 | C.H.C 2017.11.01 | 1 : 2 | mm |

1 Active Ch/Trace 2 Response 3 Stimulus 4 Mkr/Analysis 5 Instr State

Evercom Communication Technology Co.,Ltd.



1 Start 600 MHz IFBW 70 kHz Stop 2.8 GHz Cor |

Meas Stop ExtRef Ready Svc 2017-12-05 14:28

System

Print

Abort Printing

Printer Setup...

Invert Image
ON

Dump Screen Image...

Multiport Test Set Setup

Misc Setup

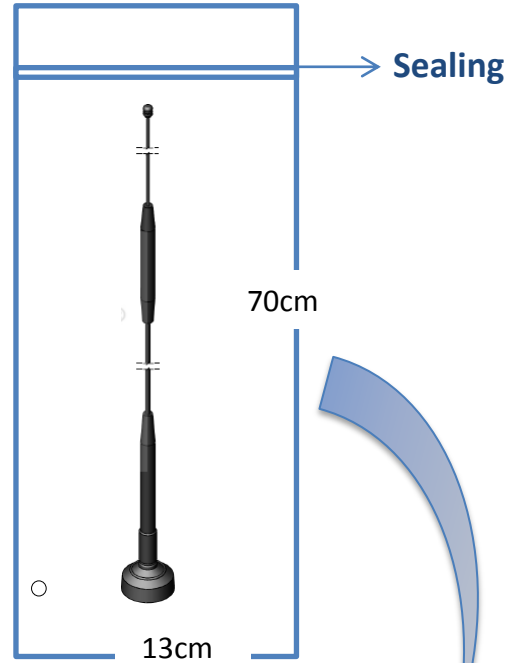
Backlight
ON

Firmware Revision

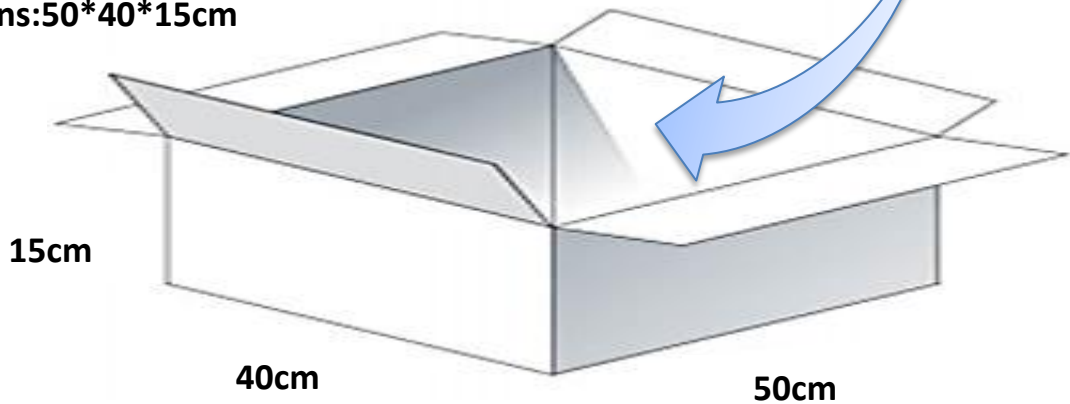
4G LTE

Packaging

*Antenna use PE bag/ each



*100 pcs Bulk /per carton
Carton Dimensions:50*40*15cm



4G LTE

Antenna Applications

