



The World Wide Leader in Antenna

5.8G Antenna

UND-OM-98NF



Frequency : 5.75 - 5.85GHz
Gain : 12dBi
V.S.W.R : <2.0:1
Impedance : 50 ohm
Connector : N Female
Material : Fiberglass
Weight : ≈ 600g
Length : 688 mm
Color : White
Polarization : Vertical
Mount : L Mount
Max Power : 100W
Wind Load : 150 km/h
Light Port : DC ground
Horizontal Beam width : 360 degree
Vertical Beam width : 8 degree
Temperature : -40°C to +80°C

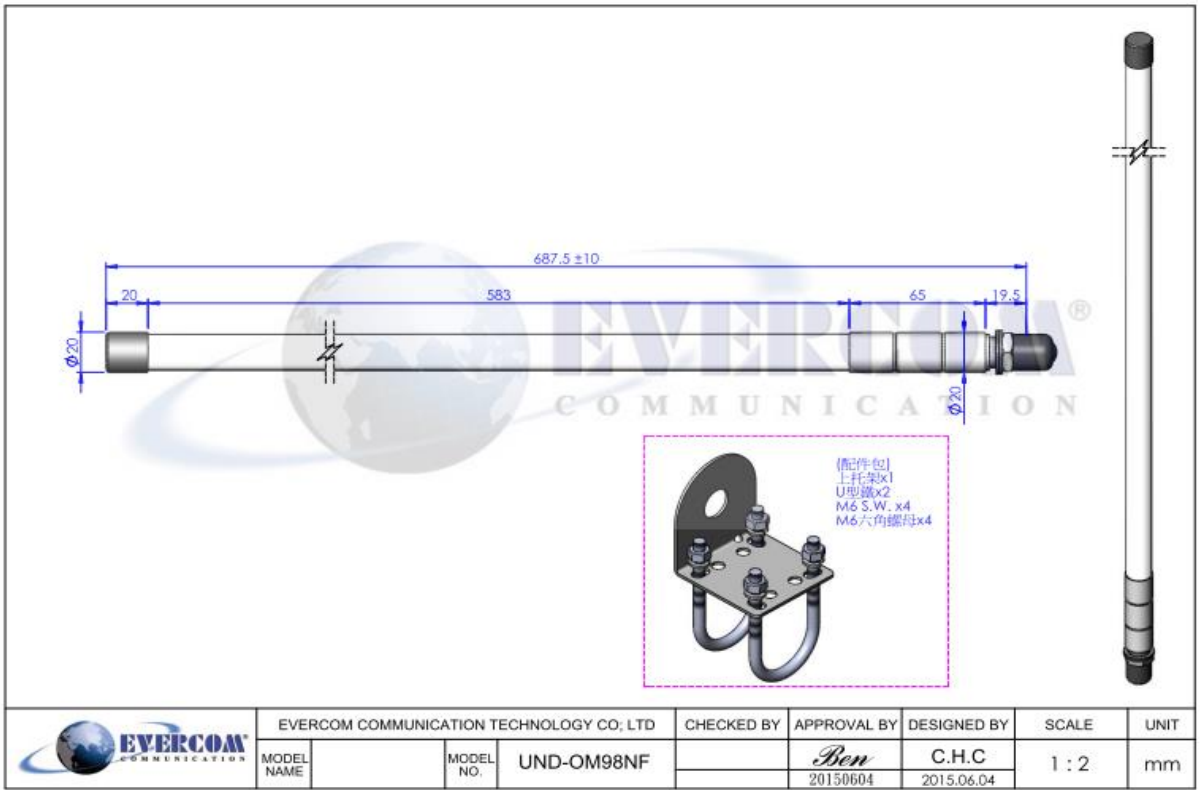
EVERCOM COMMUNICAITON TECHNOLOGY CO., LTD.

No.108 Jiesin St. Taoyuan District Taoyuan City 33063, Taiwan R.O.C.

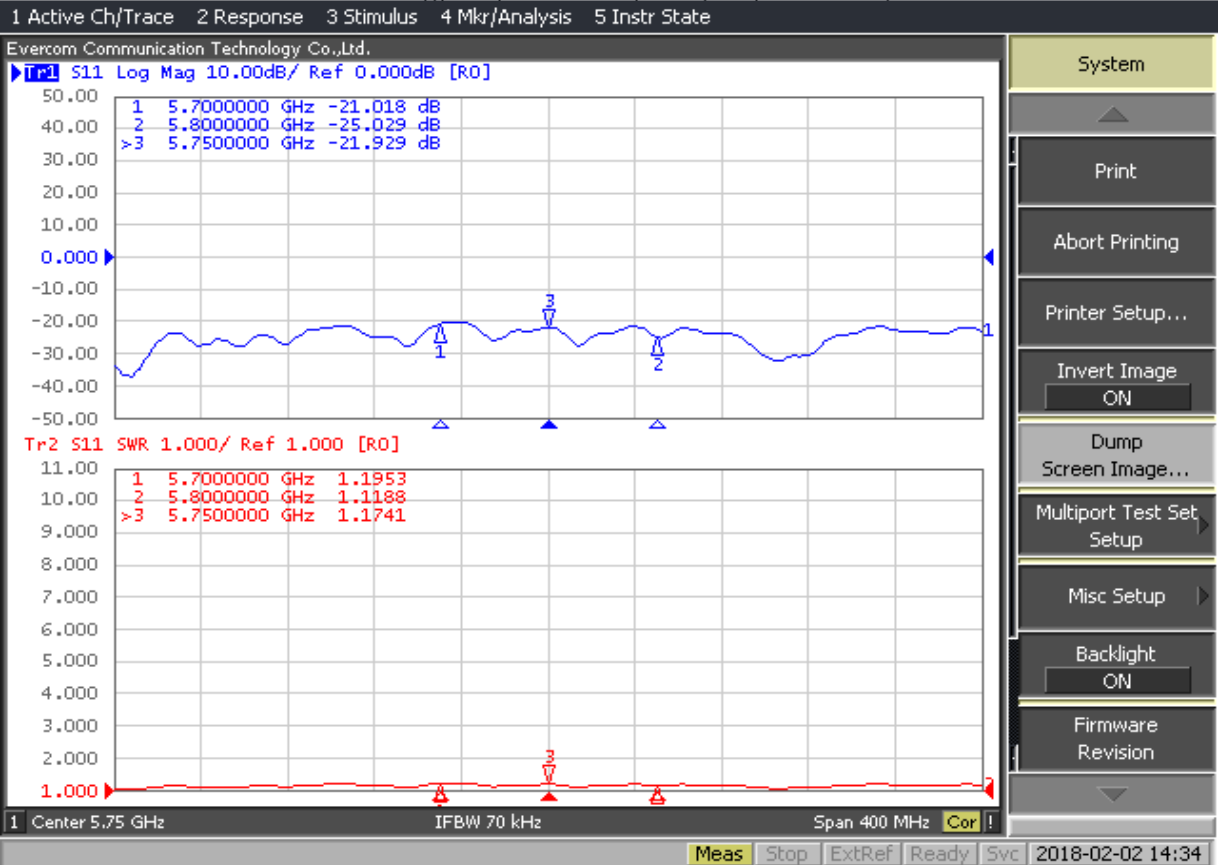
Tel: +886-3- 376- 5678 Fax: +886-3- 376- 5319 E-Mail: service@evercomtech.com



ISO 9001



Evercom Communication Technology Co., Ltd. Frequency Inspection Report



Item No. :WG-UND-OM98NF

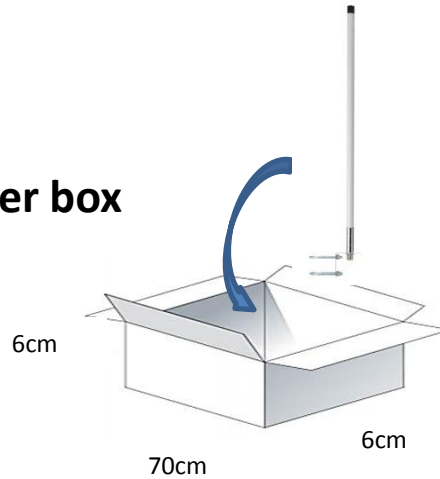
Inspector: Amber



The World Wide Leader in Antenna

Packaging

A set of antenna put in an inner box



10 pcs per carton

Carton Dimensions: 71.8*14.8*35.5cm

