



*The World Wide Leader in Antenna*

# WIFI 5G Antenna

## UWB-PANEL-523



Frequency : 5.10 – 5.90GHz

Gain : 23dBi

V.S.W.R : <2.0:1

Impedance : 50 ohm

Connector : N Female

Material : ABS Polymer

Weight : ≐ 1750g

Dimension : 395 x 395mm

Color : Dark Gray

Polarization : Linear (H) or (V)

Mount : AC-PHOLD/MT

Max Power : 20W

Horizontal Beam width : 11 degree

Vertical Beam width : 11 degree

Wind Load : 120km/h

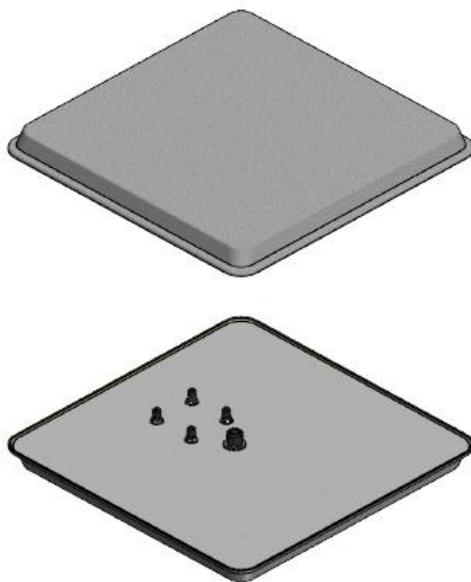
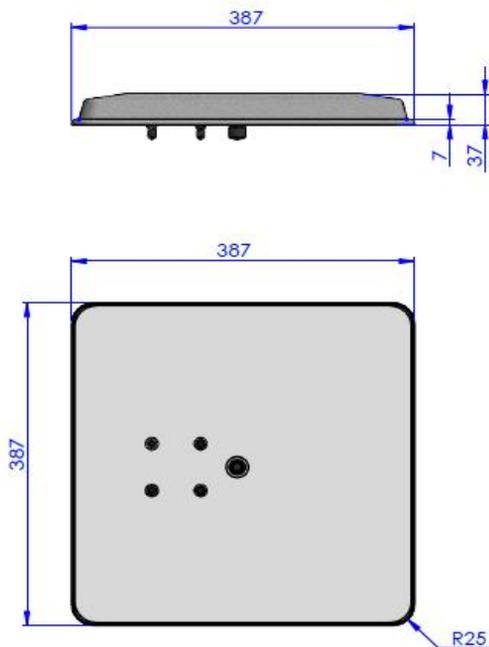
Temperature : -40°C to +80°C

**EVERCOM COMMUNICAITON TECHNOLOGY CO., LTD.**

No.108 Jiesin St. Taoyuan District Taoyuan City 33063, Taiwan R.O.C.

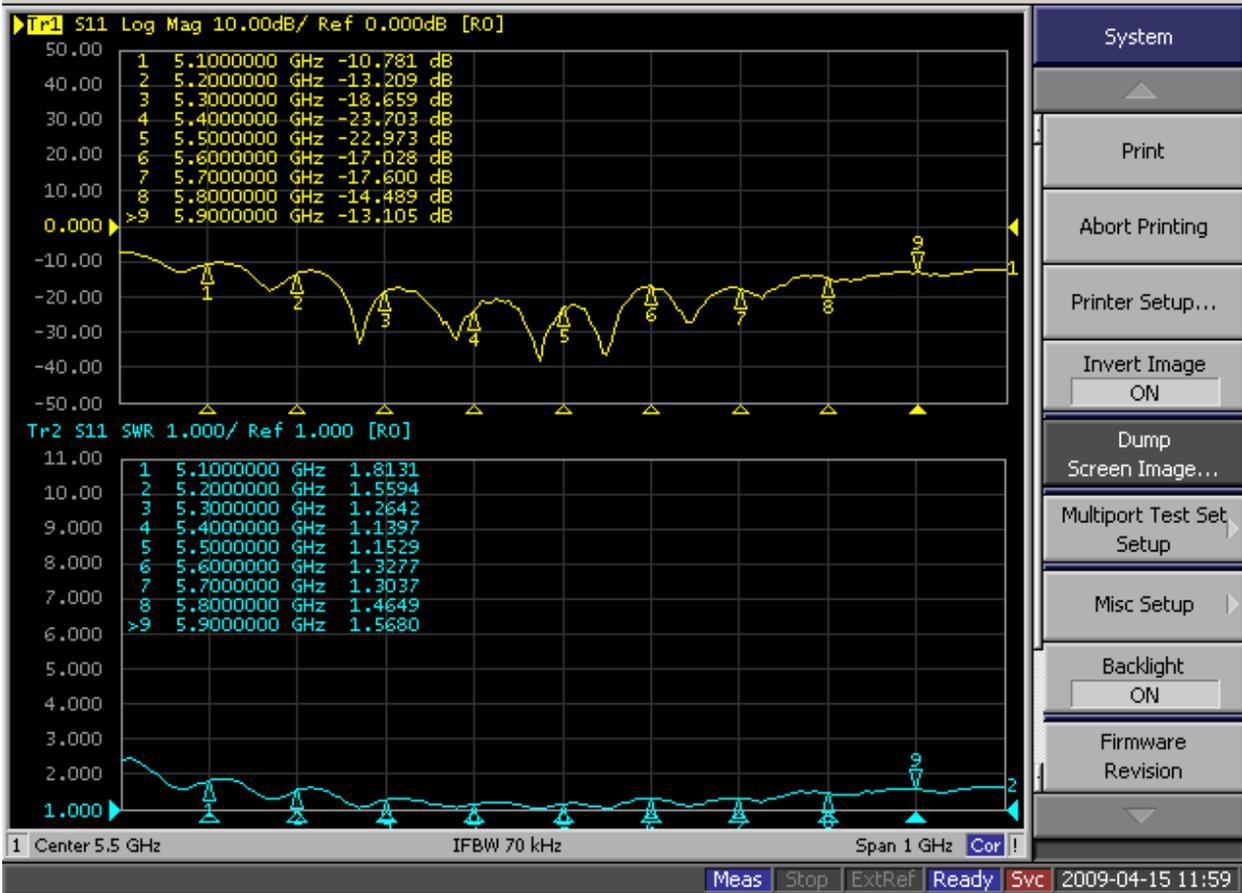
Tel: +886-3- 376- 5678 Fax: +886-3- 376- 5319 E-Mail: [service@evercomtech.com](mailto:service@evercomtech.com)

DATE	DESCRIPTION	REV
2021.11.22	DRAFT	A



EVERCOM COMMUNICATION TECHNOLOGY CO., LTD		CHECKED BY	APPROVAL BY	DESIGNED BY	SCALE	UNIT
MODEL NO.	UMB-PANEL-523			Y.W.C 2021.11.22	1:5	mm

1 Active Ch/Trace 2 Response 3 Stimulus 4 Mkr/Analysis 5 Instr State

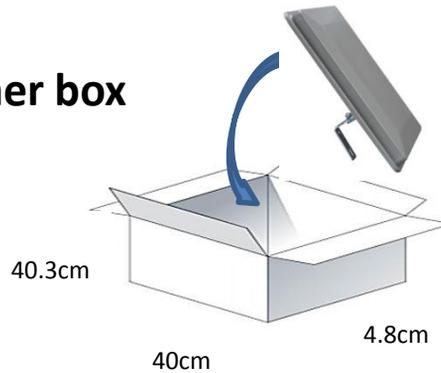




*The World Wide Leader in Antenna*

# Packaging

A set of antenna put in an inner box



10 pcs per carton  
Carton Dimensions: 57\*42.7\*43cm

