

5G

4G

# 5G LTE Antenna

## LTB-PAN583NF



Frequency: 698~2690/ 3400~3800MHZ

Gain : 10dBi

Connector :N/F

V.S.W.R : <1.5:1

Impedance : 50 ohm

Cable : RG-142/ 300mm

Weight:600g

Material : ABS & Aluminum

Polarization: Linear (H) or (V)

Color: White

Mount: Wall Mount

Temperature:-40°C to +60°C

Max. Power: 50W

Dimension:  $\phi$ 200 x198 x 40mm

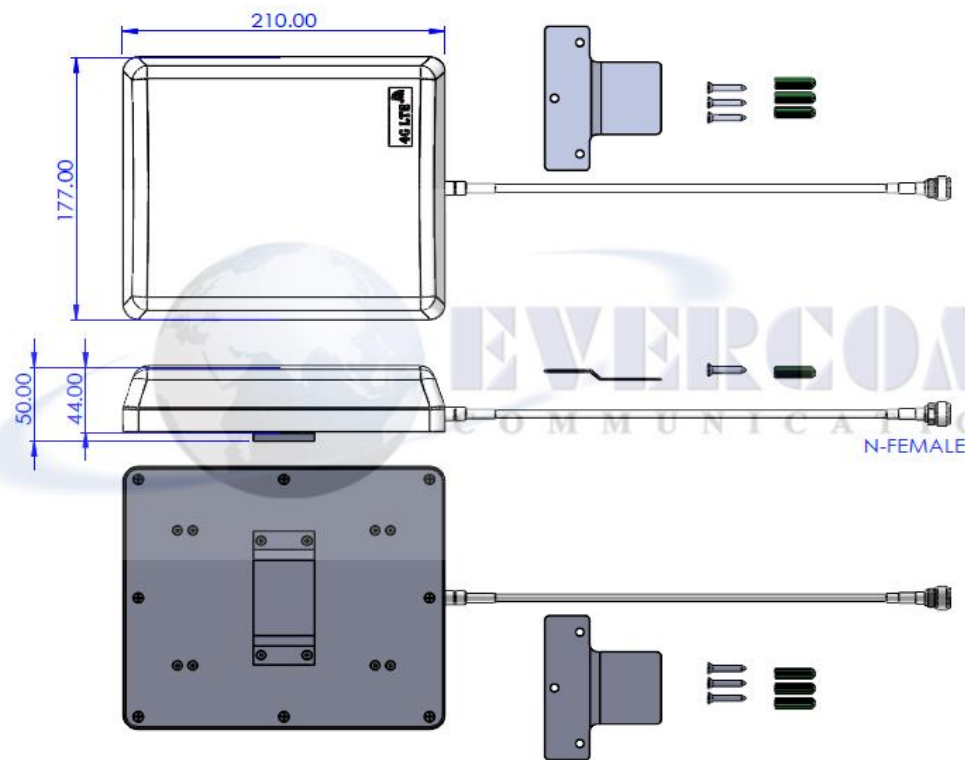
EVERCOM COMMUNICAITON TECHNOLOGY CO., LTD.

No.108 Jiesin St. Taoyuan District Taoyuan City 33063, Taiwan R.O.C.

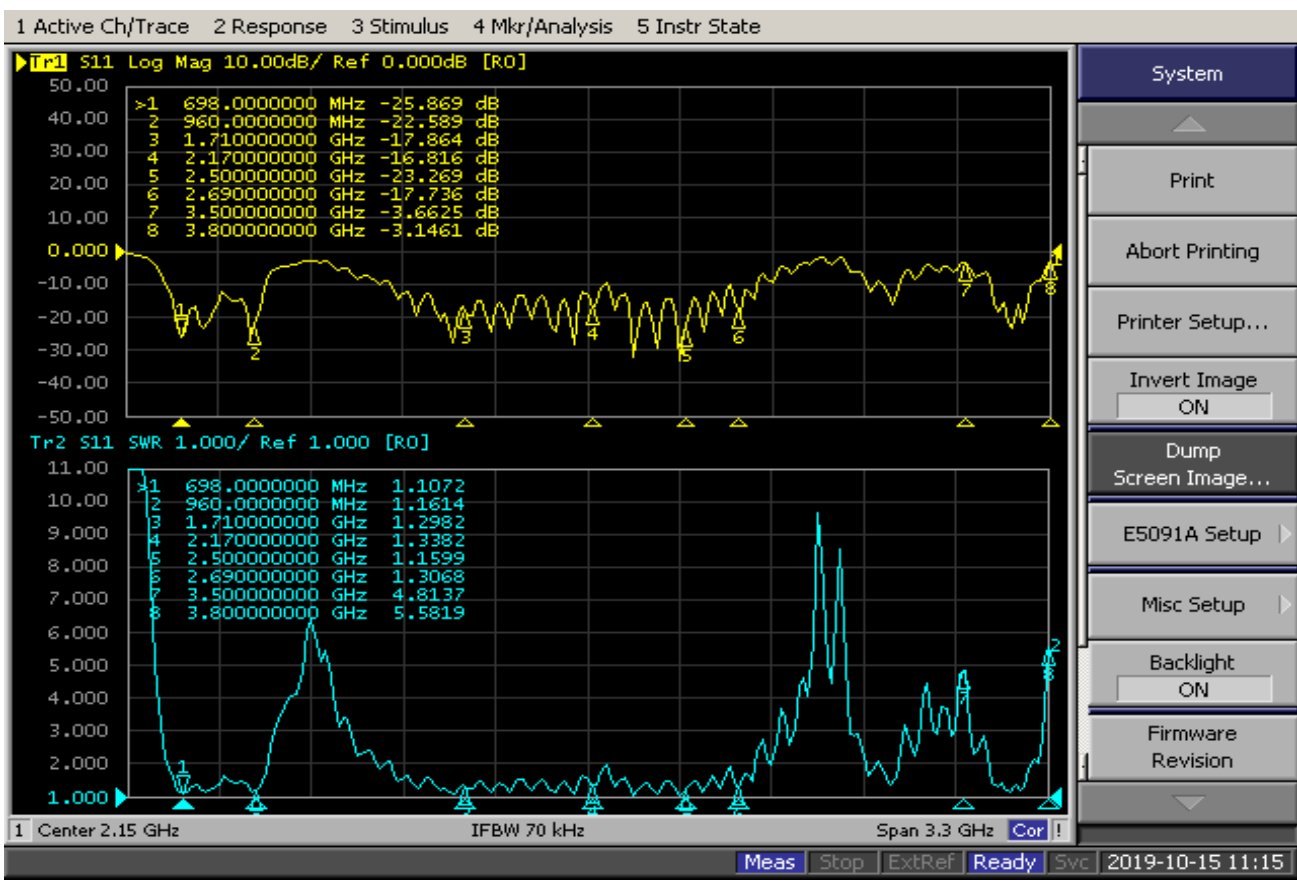
Tel: +886-3- 376- 5678 Fax: +886-3- 376- 5319 E-Mail: [service@evercomtech.com](mailto:service@evercomtech.com)



ISO 9001



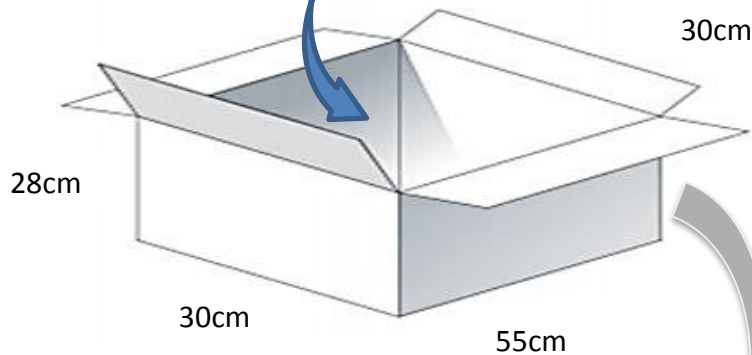
	EVERCOM COMMUNICATION TECHNOLOGY CO; LTD			CHECKED BY	APPROVAL BY	DESIGNED BY	SCALE	UNIT
	MODEL NAME	MODEL NO.	LTB-PAN583NF		<i>Ben</i> 20191030	W.C.W 2019.10.01	1:3	mm



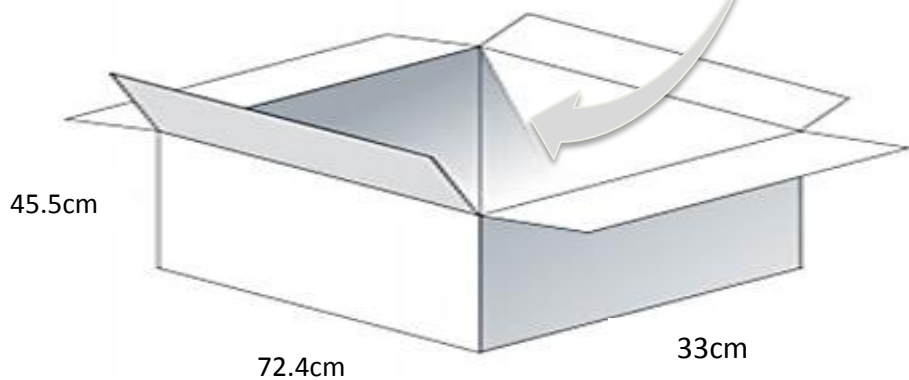
# Packaging

Antenna pack in a poly bag

A set of antenna put in an inner box



10 PCS Per Carton  
Carton Dimensions: 55\*30\*28cm



## Antenna Applications

