

5G

4G

# 5G LTE Antenna

## LTB-TC-831



Frequency : 700~2700/3400~3800MHZ

Gain : 3dBi

Connector : SMA/M (Optional)

V.S.W.R : <1.5:1

Impedance : 50 ohm

Cable : RG174 (Optional)

Length : 115mm

Weight : 60g

Material : ABS

Polarization : Linear (V or H)

Color : Black

Mounting : 3M Tape

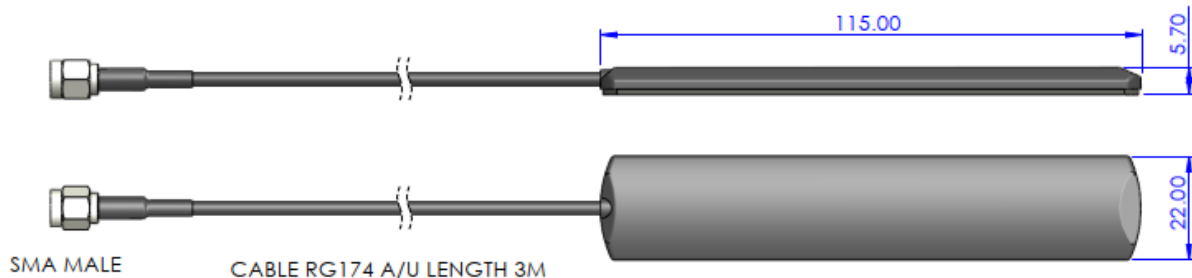
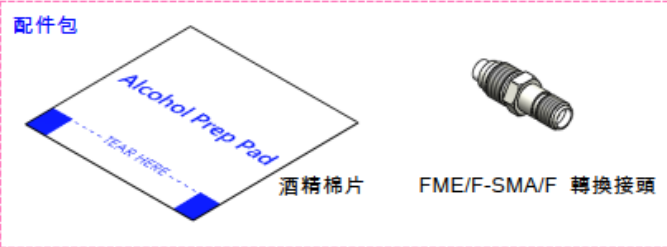
Temperature : -10°C to +80°C

Max. Power: 10W

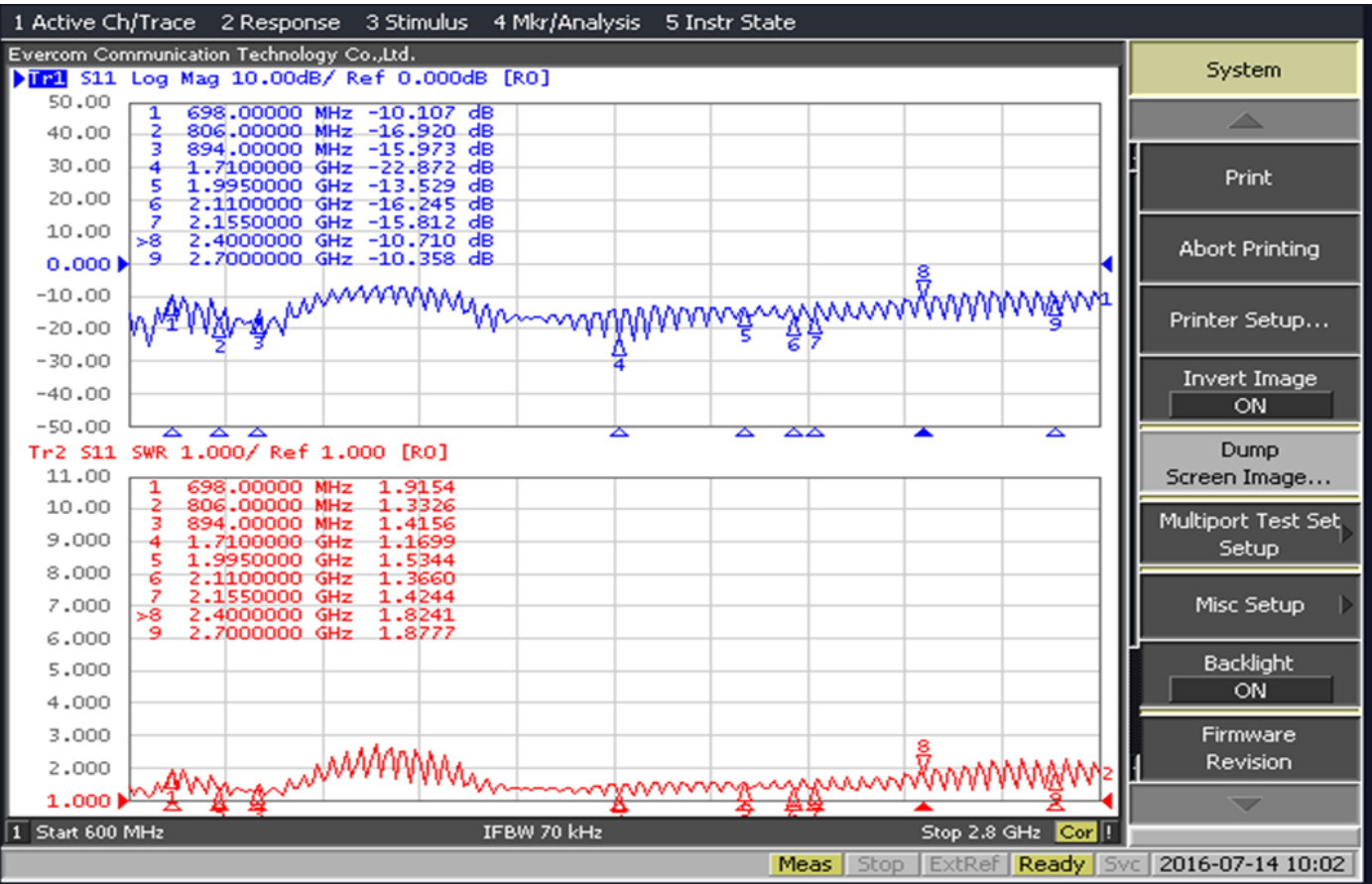
**EVERCOM COMMUNICAITON TECHNOLOGY CO., LTD.**

No.108 Jiesin St. Taoyuan District Taoyuan City 33063, Taiwan R.O.C.

Tel: +886-3- 376- 5678 Fax: +886-3- 376- 5319 E-Mail: [service@evercomtech.com](mailto:service@evercomtech.com)



	EVERCOM COMMUNICATION TECHNOLOGY CO.; LTD			CHECKED BY	APPROVAL BY	DESIGNED BY	SCALE	UNIT
	MODEL NAME	MODEL NO.	LTB-TC-831			W.C.W 2020.01.20	1:1	mm



System

Print

Abort Printing

Printer Setup...

Invert Image  
ON

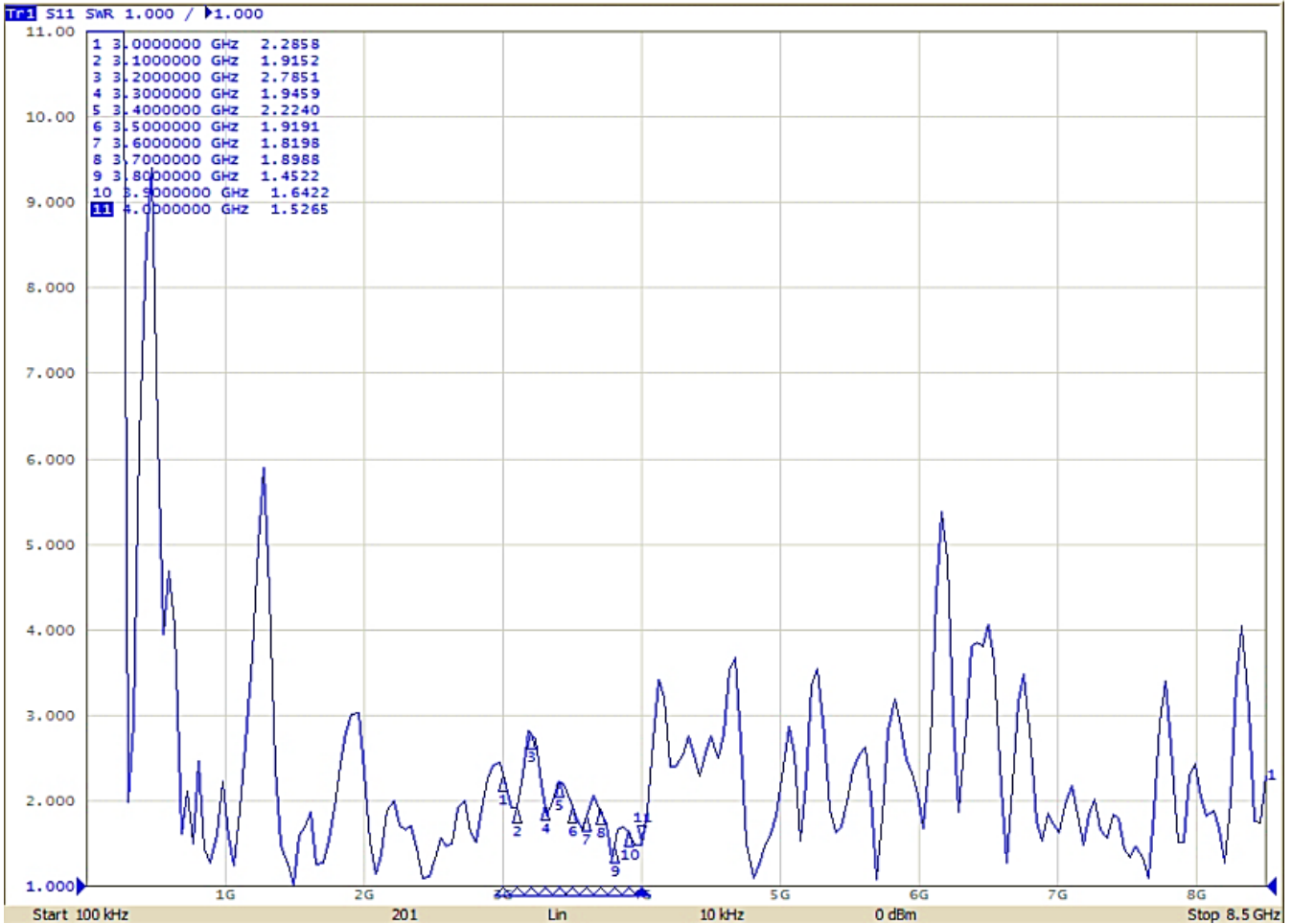
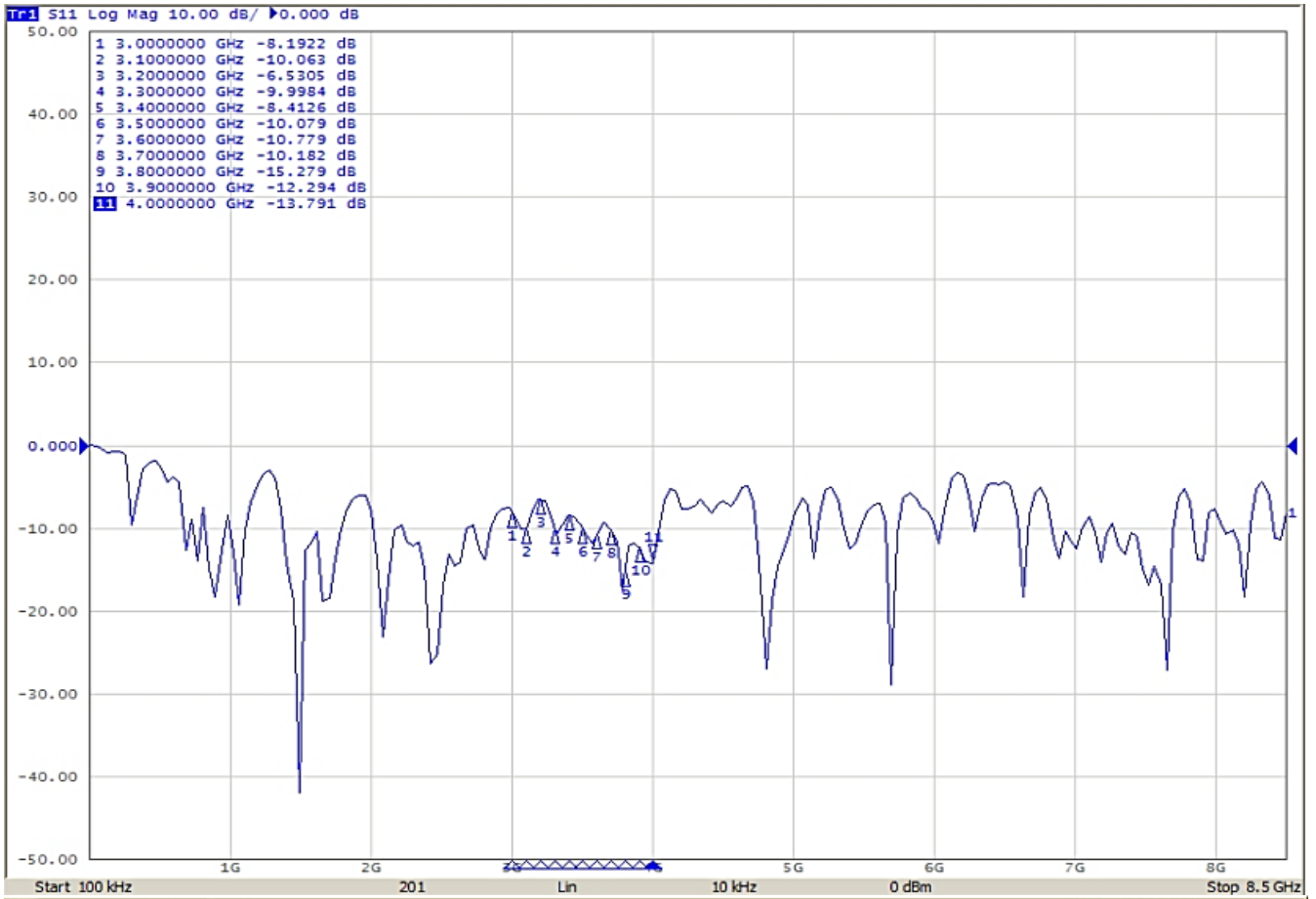
Dump Screen Image...

Multiport Test Set Setup

Misc Setup

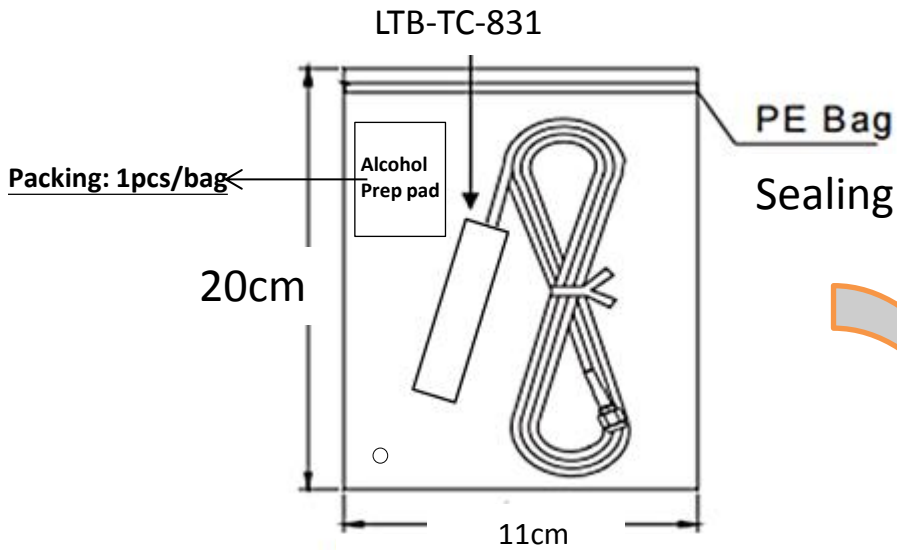
Backlight  
ON

Firmware Revision

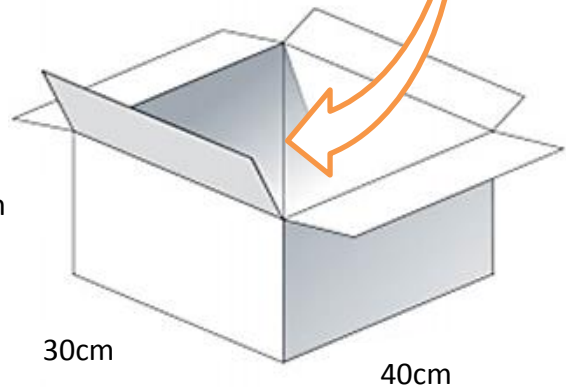


## Packaging

1 pcs antenna PE bag/ each



Packing: 1(pcs/bag)



\*100 pcs Bulk per carton  
Carton Dimensions: 40\*30\*20cm

5G

4G

# Antenna Applications

