

CB & VHF/UHF Series



The World Wide Leader in Antenna

CB ANTENNA

CB-2306



Frequency : 26-28Mhz

V.S.W.R : <1.2:1

Power: 600W

Impedance : 50 Ohm

Material : ABS/ZINC/SUS

Mount: ϕ 16mm , "S0239"

Connector : PL259 (Optional)

Weight: 720g

Dimension : 1514 x 45.8mm

Color : Black

Polarization: Vertical

Temperature:-20°C to +60°C

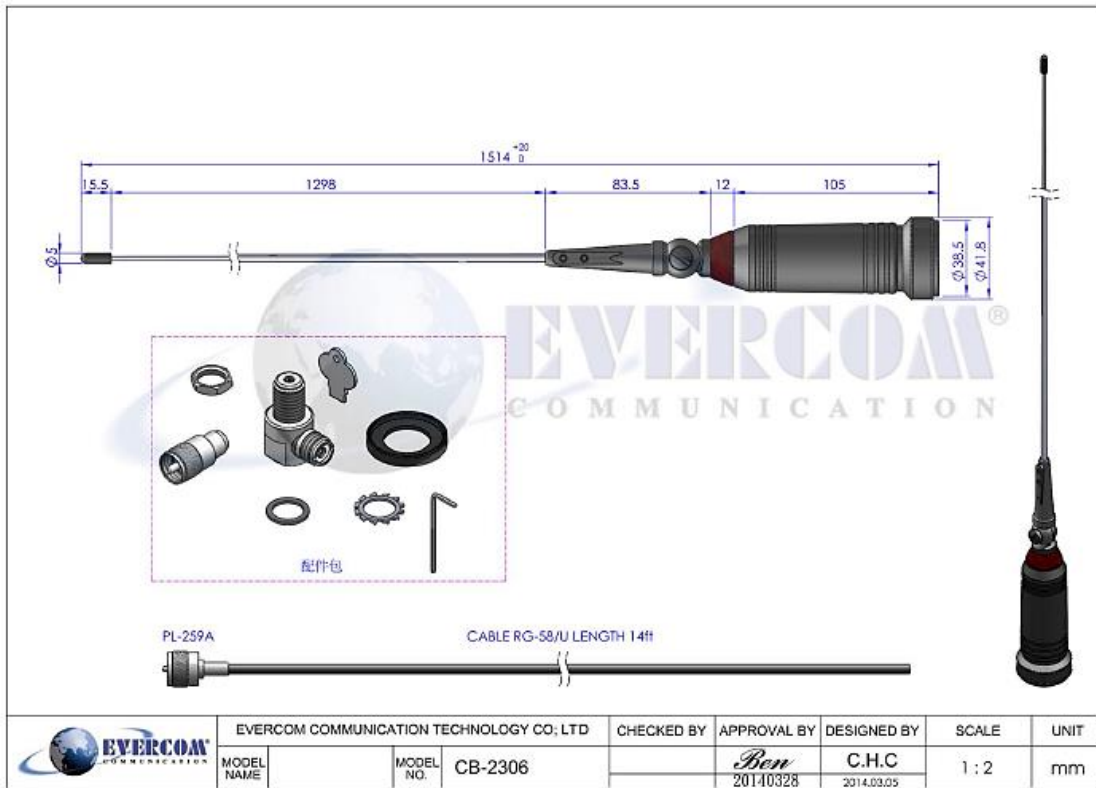
EVERCOM COMMUNICAITON TECHNOLOGY CO., LTD.

No.108 Jiesin St. Taoyuan District Taoyuan City 33063, Taiwan R.O.C.

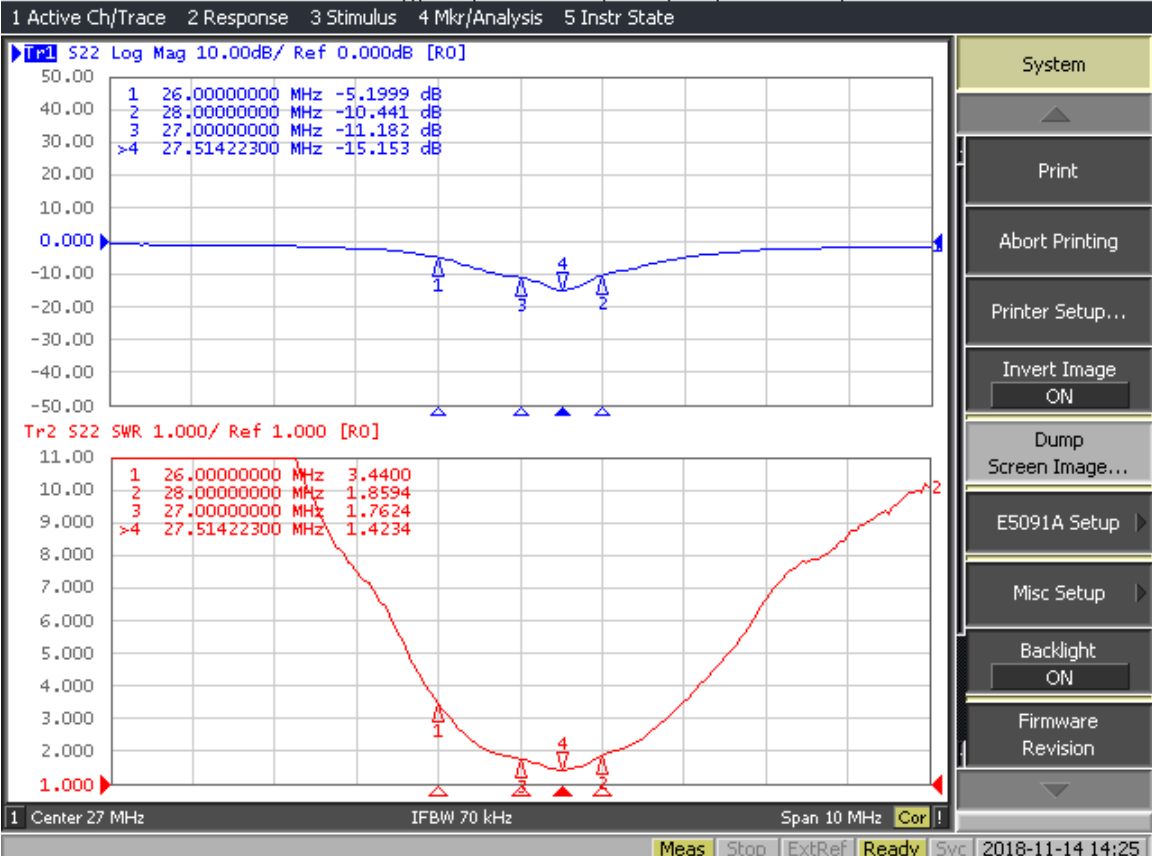
Tel: +886-3-376-5678 Fax: +886-3-376-5319 E-Mail: service@evercomtech.com



ISO 9001



Evercom Communication Technology Co., Ltd. Frequency Inspection Report



Item No. :FG-CB-2306

Inspector: Amber

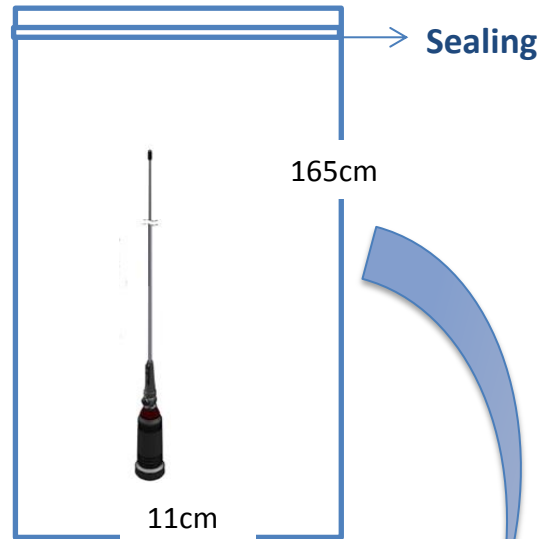
CB & VHF/UHF Series



The World Wide Leader in Antenna

Packaging

***1 pcs Antenna PE bag/ each**



***10 pcs Bulk /per Carton
Dimensions:165*20*20cm**

