

**CB &VHF/UHF  
Series**



*The World Wide Leader in Antenna*

# CB ANTENNA

## CB-2321NE



Frequency : 26-28Mhz

V.S.W.R. : <1.5:1

Power : 200W

Impedance : 50 Ohm

Material : SUS/ABS/Copper

Mount :  $\phi$ 10mm NE Type

Weight : 560g

Connector : PL259 (Optional)

Color : Black

Dimension : 1431x41x5mm

Polarization : VERTICAL

Temperature : -20°C to +60°C

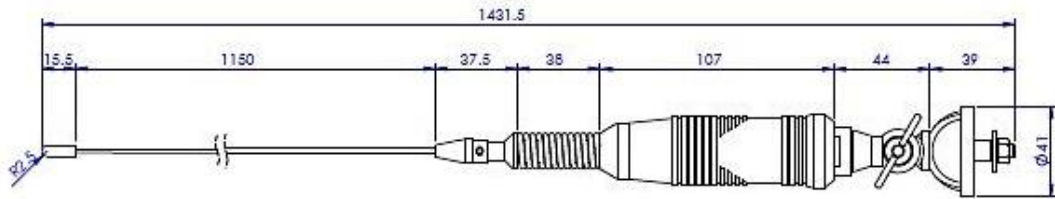
**EVERCOM COMMUNICAITON TECHNOLOGY CO., LTD.**

No.108 Jiesin St. Taoyuan District Taoyuan City 33063, Taiwan R.O.C.

Tel: +886-3-376-5678 Fax: +886-3-376-5319 E-Mail: [service@evercomtech.com](mailto:service@evercomtech.com)



ISO 9001

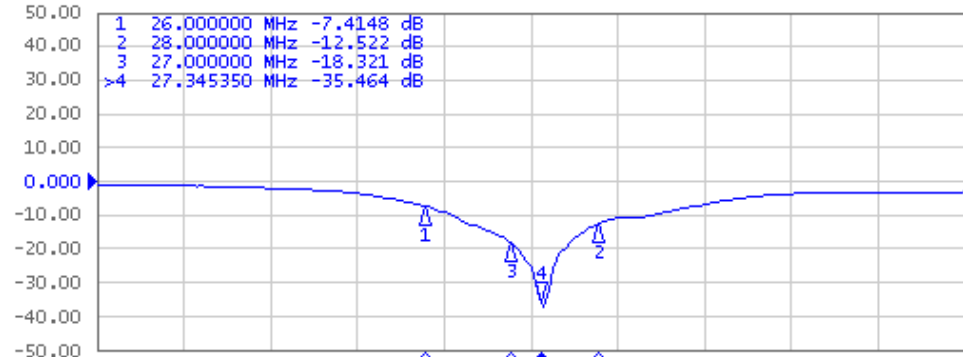


EVERCOM COMMUNICATION TECHNOLOGY CO., LTD			CHECKED BY	APPROVAL BY	DESIGNED BY	SCALE	UNIT
MODEL NAME	MODEL NO.	CB-2321NE			C.H.C 2008.10.22	1:2	mm

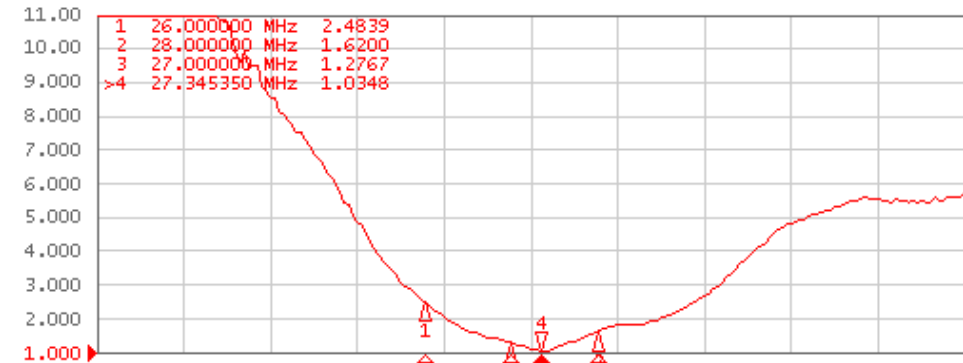
1 Active Ch/Trace 2 Response 3 Stimulus 4 Mkr/Analysis 5 Instr State

Evercom Communication Technology Co.,Ltd.

Tr1 S22 Log Mag 10.00dB/ Ref 0.000dB [R0]



Tr2 S22 SWR 1.000/ Ref 1.000 [R0]



1 Center 27.225 MHz IFBW 70 kHz Span 10 MHz Cor !

System

Print

Abort Printing

Printer Setup...

Invert Image  
ON

Dump  
Screen Image...

Multiport Test Set  
Setup

Misc Setup

Backlight  
ON

Firmware  
Revision

Meas Stop ExtRef Ready Svc 2017-12-21 10:38

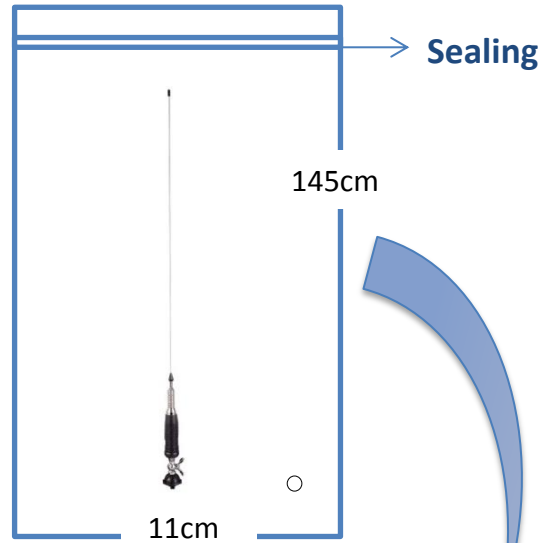
# CB & VHF/UHF Series



*The World Wide Leader in Antenna*

## Packaging

**\*1 pcs Antenna PE bag/ each**



**\*25 pcs Bulk /per Carton**  
**Dimensions:145\*20\*20cm**

