

**CB &VHF/UHF
Series**



The World Wide Leader in Antenna

CB ANTENNA

CB-2322NE



Frequency : 26-28Mhz

V.S.W.R. : <1.2:1

Power : 200W

Impedance : 50 Ohm

Material : SUS/ABS/Copper

Mount : ϕ 10mm NE Type

Connector : PL259 (Optical)

Weight : 470g

Color : Black

Dimension : 1454x41x5mm

Polarization : VERTICAL

Temperature : -20°C to +60°C

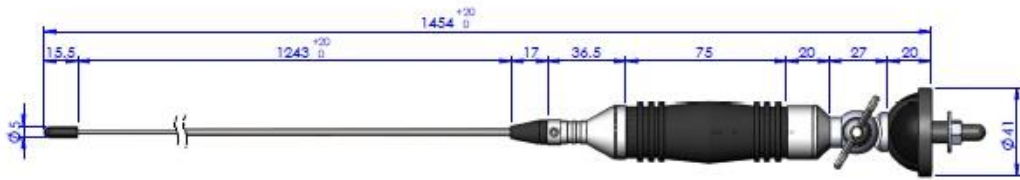
EVERCOM COMMUNICAITON TECHNOLOGY CO., LTD.

No.108 Jiesin St. Taoyuan District Taoyuan City 33063, Taiwan R.O.C.

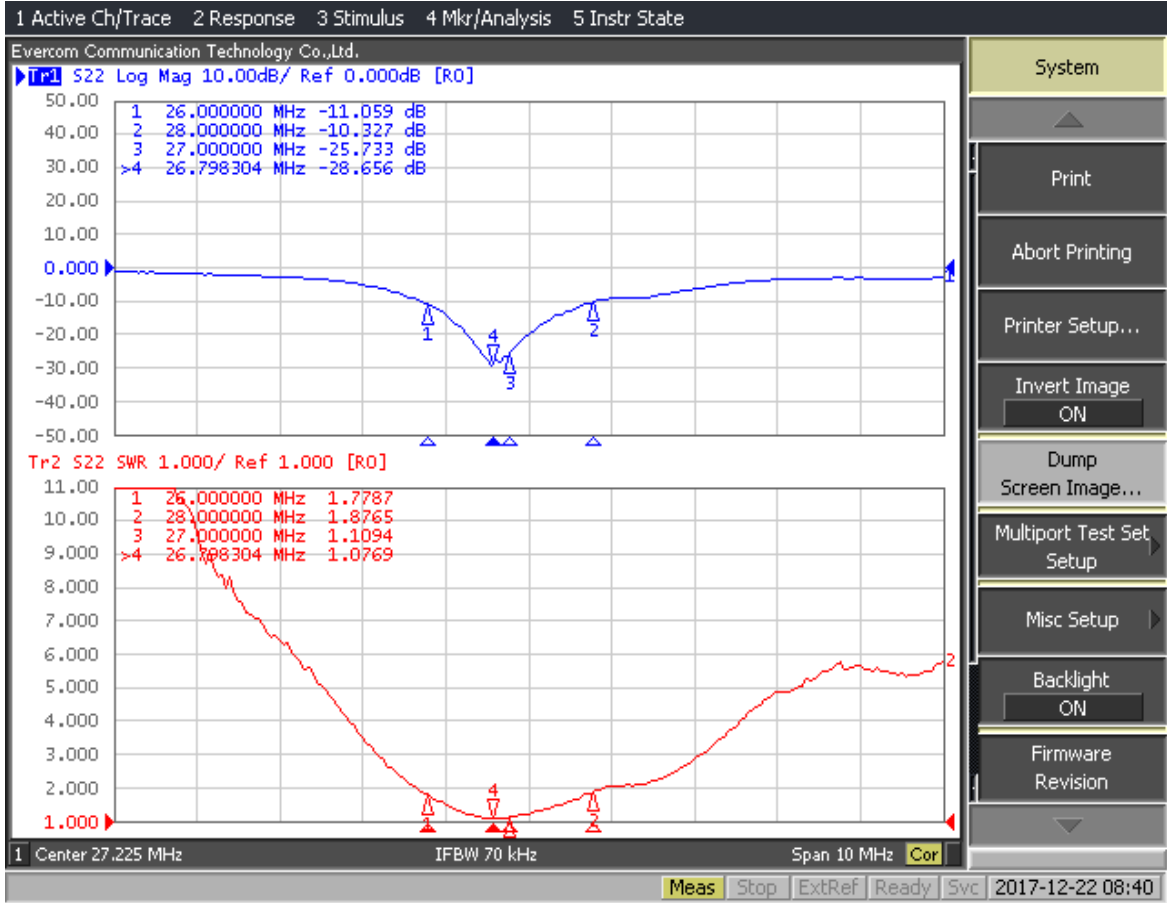
Tel: +886-3-376-5678 Fax: +886-3-376-5319 E-Mail: service@evercomtech.com



ISO 9001



	EVERCOM COMMUNICATION TECHNOLOGY CO., LTD			CHECKED BY	APPROVAL BY	DESIGNED BY	SCALE	UNIT
	MODEL NAME		MODEL NO.	CB-2322NE			C.H.C	1 : 2
						2011.12.28		



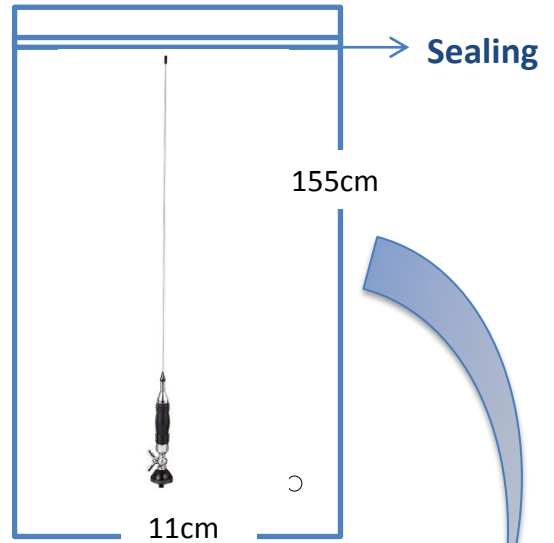
CB & VHF/UHF Series



The World Wide Leader in Antenna

Packaging

***1 pcs Antenna PE bag/ each**



***25 pcs Bulk /per Carton
Dimensions:155*20*20cm**

