

**CB &VHF/UHF  
Series**



*The World Wide Leader in Antenna*

# CB ANTENNA

## CB-631NE



Frequency : 26-28Mhz

V.S.W.R. : <1.5:1

Power : 500W

Impedance : 50 Ohm

Material : SUS/ABS/Copper

Mount :  $\phi$ 10mm NE Type

Connector : PL259 (Optional)

Weight : 510g

Dimension : 1500x41mm

Color : Black

Polarization : VERTICAL

Temperature : -20°C to +60°C

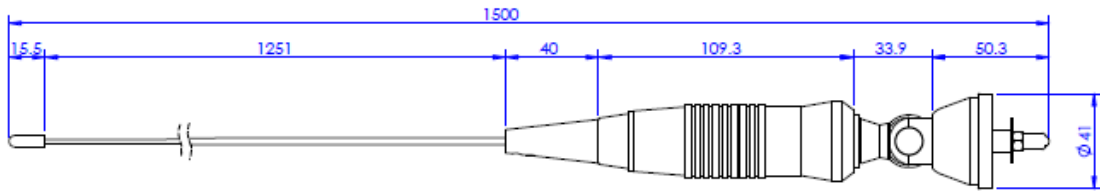
**EVERCOM COMMUNICAITON TECHNOLOGY CO., LTD.**

No.108 Jiesin St. Taoyuan District Taoyuan City 33063, Taiwan R.O.C.

Tel: +886-3-376-5678 Fax: +886-3-376-5319 E-Mail: [service@evercomtech.com](mailto:service@evercomtech.com)

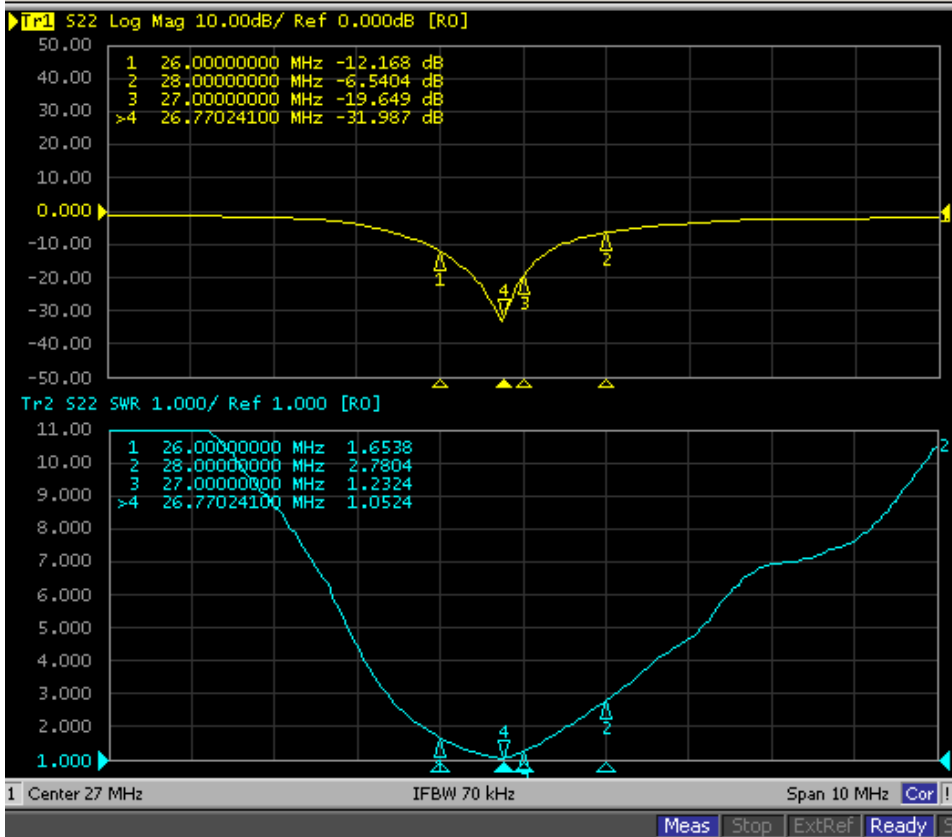


ISO 9001



	EVERCOM COMMUNICATION TECHNOLOGY CO.; LTD		CHECKED BY	APPROVAL BY	DESIGNED BY	SCALE	UNIT
	MODEL NAME	MODEL NO.	CB-631NE		C.H.C	1 : 2	mm
					2009.11.20		

1 Active Ch/Trace 2 Response 3 Stimulus 4 Mkr/Analysis 5 Instr State



System

Print

Abort Printing

Printer Setup...

Invert Image ON

Dump Screen Image...

E5091A Setup

Misc Setup

Backlight ON

Firmware Revision

2020-07-07 13:18

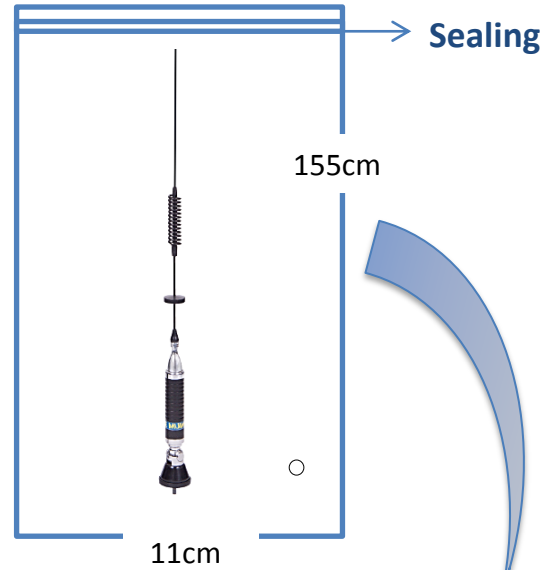
**CB & VHF/UHF  
Series**



*The World Wide Leader in Antenna*

# Packaging

**\*1 pcs Antenna PE bag/ each**



**\*25 pcs Bulk /per Carton  
Dimensions:155\*20\*18cm**

