

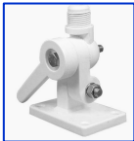
**CB &VHF/UHF  
Series**



*The World Wide Leader in Antenna*

# CB ANTENNA

## CB-R901



Frequency : 25~ 28Mhz

V.S.W.R : <1.5:1

Power : 250W

Impedance : 50 Ohm

Material : FIBERGLASS/Copper

Mount : AC-9401 SUS

Connector : M25 x 1.75P

Weight: 600g

Dimension : 1883x29.8x11.5mm

Polarization : VERTICAL

Temperature : -20°C to +60°C

**EVERCOM COMMUNICAITON TECHNOLOGY CO., LTD.**

No.108 Jiesin St. Taoyuan District Taoyuan City 33063, Taiwan R.O.C.

Tel: +886-3-376-5678 Fax: +886-3-376-5319 E-Mail: [service@evercomtech.com](mailto:service@evercomtech.com)



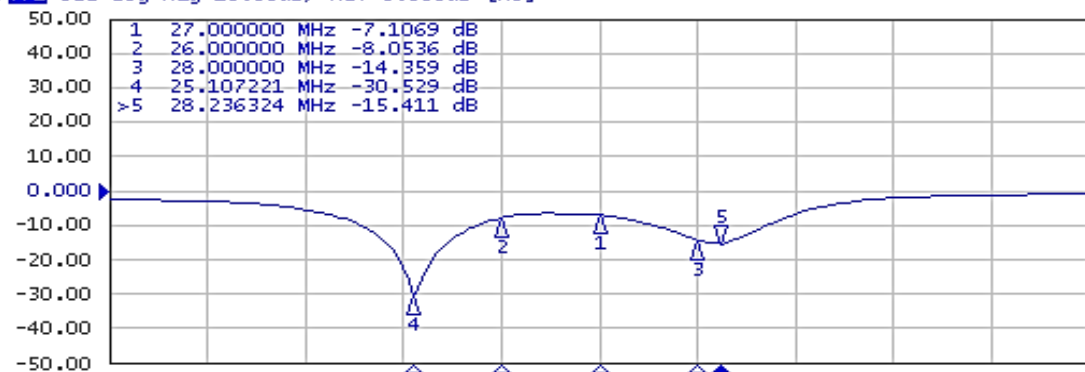
ISO 9001



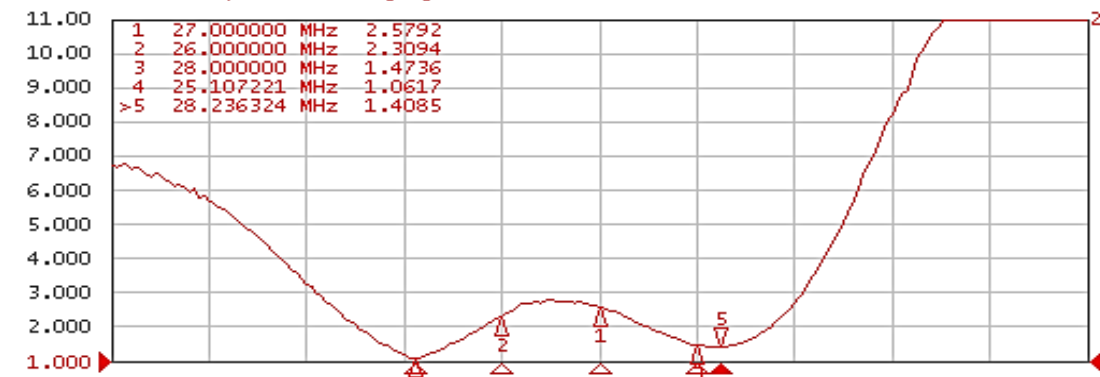
EVERCOM COMMUNICATION TECHNOLOGY CO.; LTD				CHECKED BY	APPROVAL BY	DESIGNED BY	SCALE	UNIT
MODEL NAME		MODEL NO.	CB-R901		Ben 20130109	C.H.C 2012.11.26	1 : 3	mm

1 Active Ch/Trace 2 Response 3 Stimulus 4 Mkr/Analysis 5 Instr State

Tr1 S22 Log Mag 10.00dB/ Ref 0.000dB [R0]



Tr2 S22 SWR 1.000/ Ref 1.000 [R0]



1 Center 27 MHz

IFBW 70 kHz

Span 10 MHz Cor |

Meas Stop ExtRef Ready Svc 2016-05-04 13:14

System

Print

Abort Printing

Printer Setup...

Invert Image ON

Dump Screen Image...

Multiport Test Set Setup

Misc Setup

Backlight ON

Firmware Revision

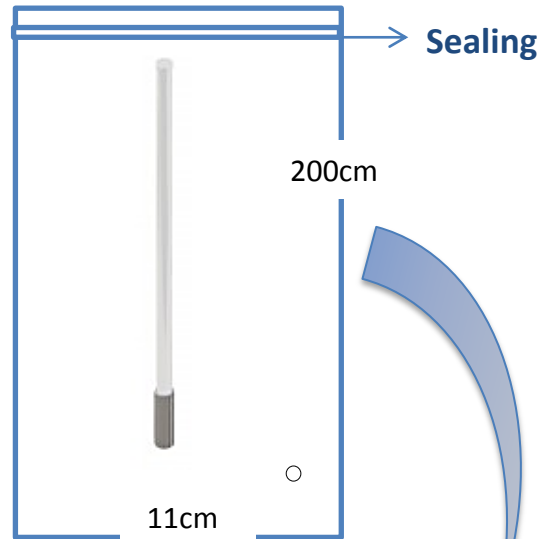
# CB & VHF/UHF Series



*The World Wide Leader in Antenna*

## Packaging

**\*1 pcs Antenna PE bag/ each**



**\*25 pcs Bulk /per Carton  
Dimensions:200\*20\*20cm**

