

**CB & VHF/UHF  
Series**



*The World Wide Leader in Antenna*

# CB ANTENNA

## CB-2304



Frequency : 26-28Mhz

V.S.W.R. : <1.5:1

Max Power : 200W

Impedance : 50 Ohm

Material : COPPER/ABS/SUS

Mount :  $\phi$ 12.5mm NP Type

Color : Black

Connector : PL259 (Optional)

Weight : 480g

Dimension : 1314x41x4mm

Polarization : VERTICAL

Temperature : -20°C to +60°C

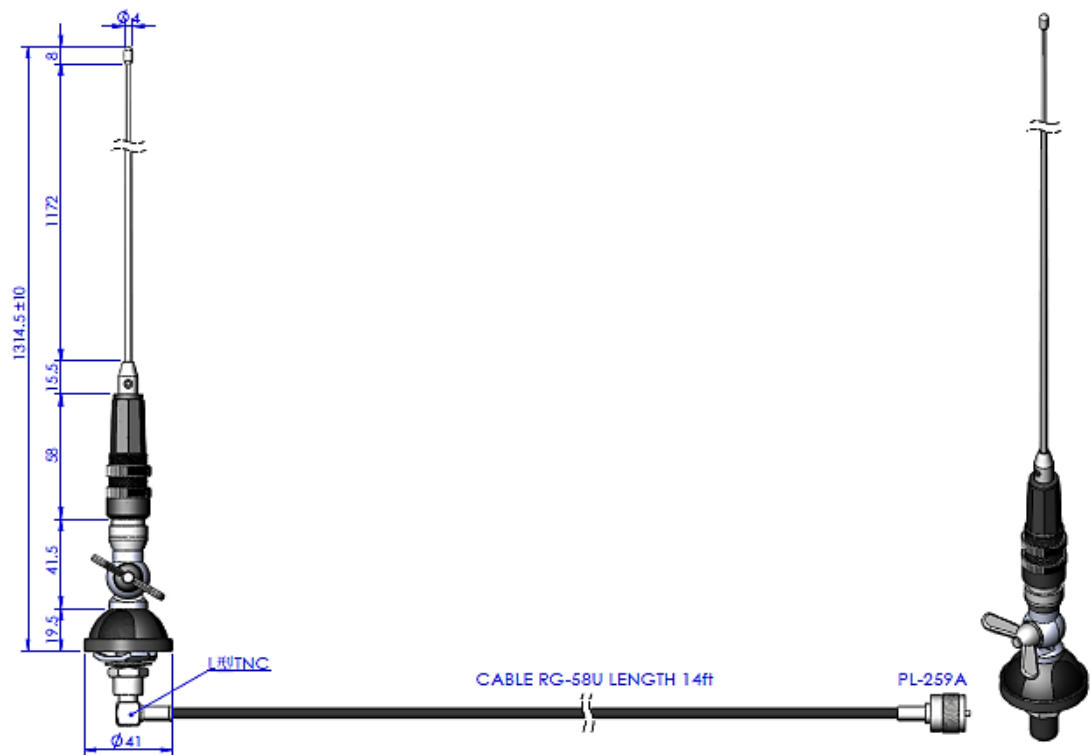
**EVERCOM COMMUNICAITON TECHNOLOGY CO., LTD.**

No.108 Jiesin St. Taoyuan District Taoyuan City 33063, Taiwan R.O.C.

Tel: +886-3- 376- 5678 Fax: +886-3- 376- 5319 E-Mail: [service@evercomtech.com](mailto:service@evercomtech.com)



ISO 9001



	EVERCOM COMMUNICATION TECHNOLOGY CO.; LTD			CHECKED BY	APPROVAL BY	DESIGNED BY	SCALE	UNIT	
	MODEL NAME		MODEL NO.	CB-2304			C.H.C	1 : 2	mm
							2010.08.25		

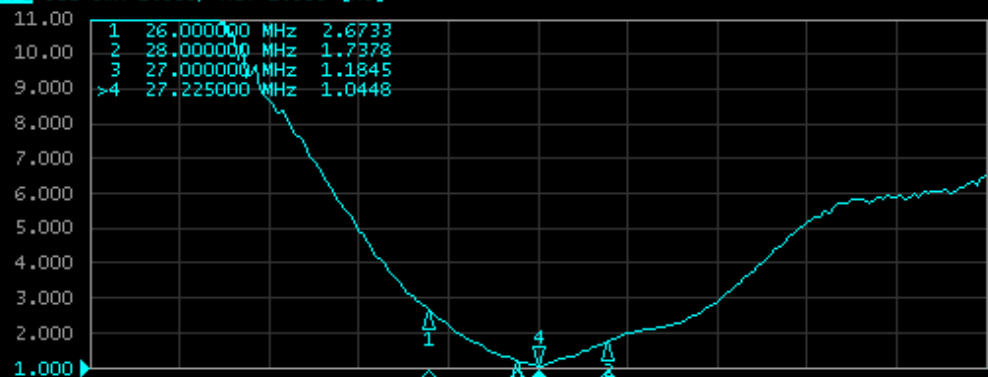
1 Active Ch/Trace 2 Response 3 Stimulus 4 Mkr/Analysis 5 Instr State

Evercom Communication Technology Co.,Ltd.

Tr1 S22 Log Mag 10.00dB/ Ref 0.000dB [R0]



Tr2 S22 SWR 1.000/ Ref 1.000 [R0]



1 Center 27.225 MHz IFBW 70 kHz Span 10 MHz Cor

Marker Search

Max

Min

Peak

Target

Tracking

OFF

Search Range

OFF

Bandwidth

OFF

Bandwidth Value

-3.0000

Return

Meas Stop ExtRef Ready Svc 2017-11-24 15:41

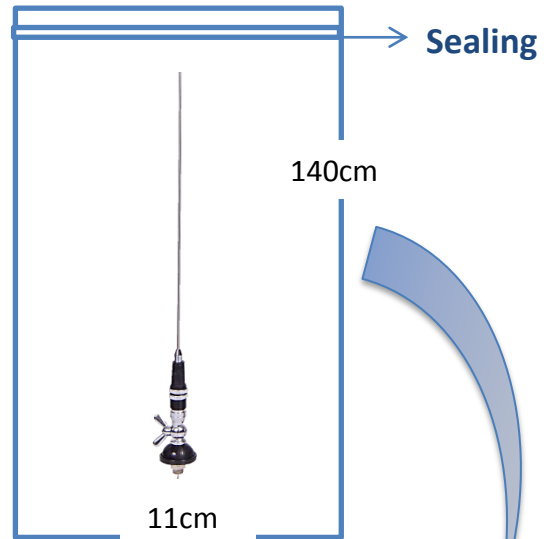
# CB & VHF/UHF Series



*The World Wide Leader in Antenna*

## Packaging

**\*1 pcs Antenna PE bag/ each**



**\*25 pcs Bulk /per Carton  
Dimensions:140\*20\*15cm**

