

**CB &VHF/UHF  
Series**



*The World Wide Leader in Antenna*

# CB ANTENNA

## CB-2309



Frequency : 26-28Mhz

V.S.W.R. : <1.1:1

Power : 500W

Impedance : 50 Ohm

Material : COPPER/ ABS/SUS

Mount :  $\phi$ 12.5mm NP Type

Color : Black

Connector : PL259 (Optional)

Weight : 600g

Dimension : 1563x41x5mm

Polarization : VERTICAL

Temperature : -20°C to +60°C

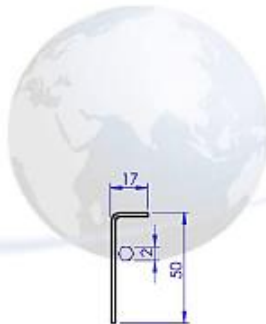
**EVERCOM COMMUNICAITON TECHNOLOGY CO., LTD.**

No.108 Jiesin St. Taoyuan District Taoyuan City 33063, Taiwan R.O.C.

Tel: +886-3-376-5678 Fax: +886-3-376-5319 E-Mail: [service@evercomtech.com](mailto:service@evercomtech.com)



ISO 9001



EVERCOM<sup>®</sup>  
COMMUNICATION

配件(2.0六角扳手)  
比例 1:2

I 型 TNC

CABLE RG58/U LENGTH 14ft

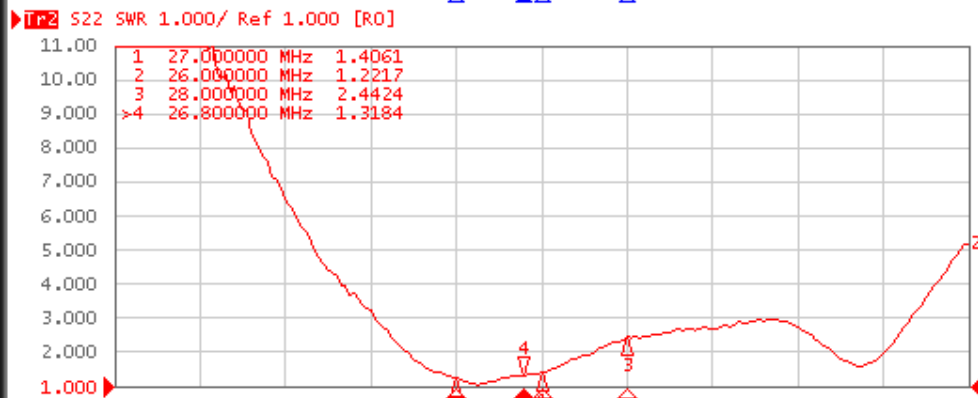
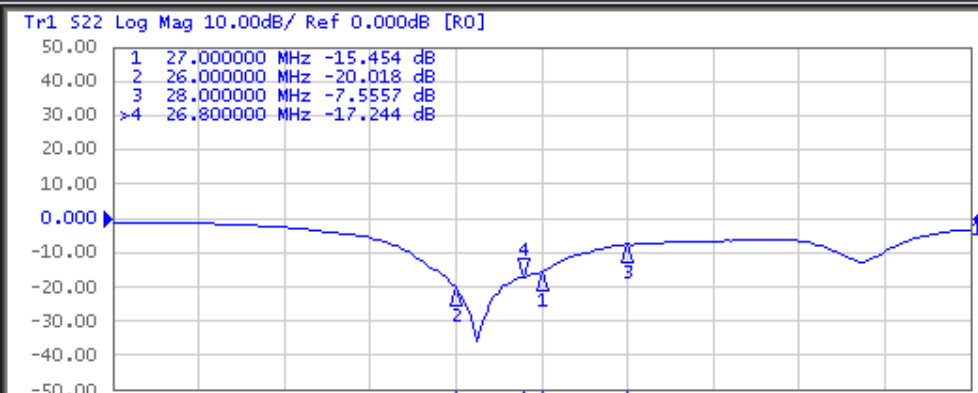
PL259A



EVERCOM COMMUNICATION TECHNOLOGY CO., LTD		CHECKED BY	APPROVAL BY	DESIGNED BY	SCALE	UNIT
MODEL NAME	MODEL NO.	CB-2309	<i>Ben</i> 20140331	C.H.C 2014.02.17	1 : 3	mm

Evercom Communication Technology Co., Ltd. Frequency Inspection Report

1 Active Ch/Trace 2 Response 3 Stimulus 4 Mkr/Analysis 5 Instr State



1 Center 27 MHz IFBW 70 kHz Span 10 MHz Cor |

System

Print

Abort Printing

Printer Setup...

Invert Image ON

Dump Screen Image...

Multiport Test Set Setup

Misc Setup

Backlight ON

Firmware Revision

Meas Stop ExtRef Ready Svc 2017-07-28 16:07

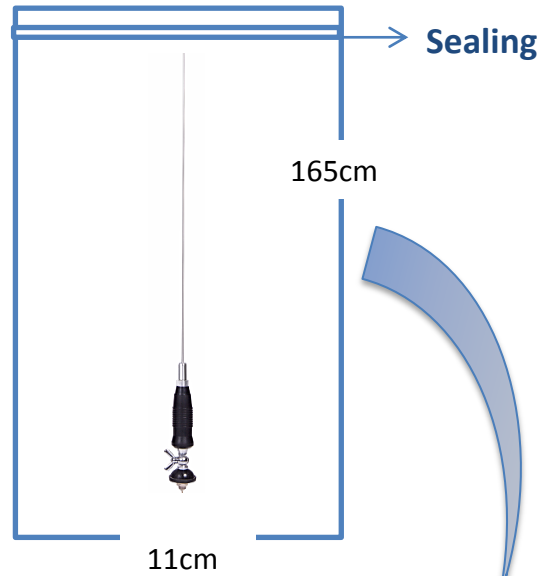
**CB & VHF/UHF Series**



*The World Wide Leader in Antenna*

# Packaging

**\*1 pcs Antenna PE bag/ each**



**\*25 pcs Bulk /per Carton**  
**Dimensions:165\*20\*15cm**

