

**CB &VHF/UHF
Series**



The World Wide Leader in Antenna

CB ANTENNA

CB-2315NP



Frequency : 26-28Mhz

V.S.W.R. : <1.2:1

Power : 200W

Impedance : 50 Ohm

Material : SUS/ABS/Copper

Mount : ϕ 12.5mm NP Type

Connector : PL259 (Optional)

Weight : 470g

Color : Black

Dimension : 1365x37x6mm

Polarization : VERTICAL

Temperature : -20°C to +60°C

EVERCOM COMMUNICAITON TECHNOLOGY CO., LTD.

No.108 Jiesin St. Taoyuan District Taoyuan City 33063, Taiwan R.O.C.

Tel: +886-3-376-5678 Fax: +886-3-376-5319 E-Mail: service@evercomtech.com

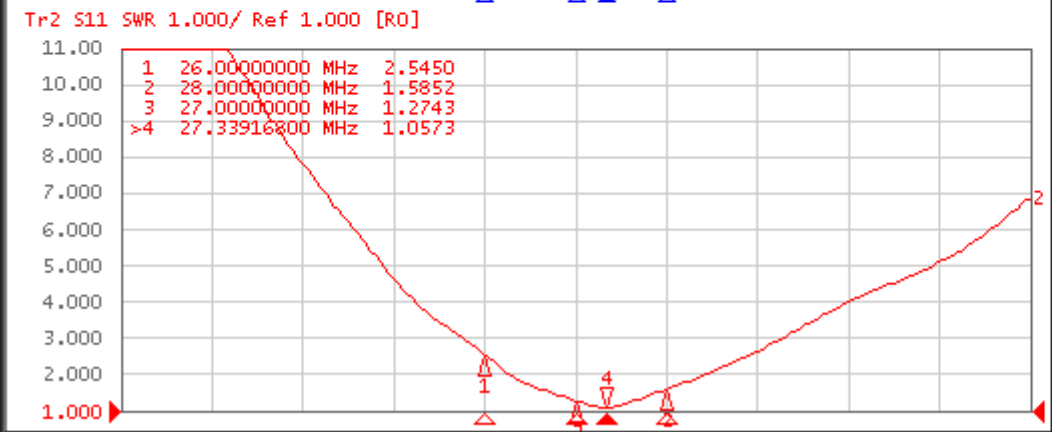
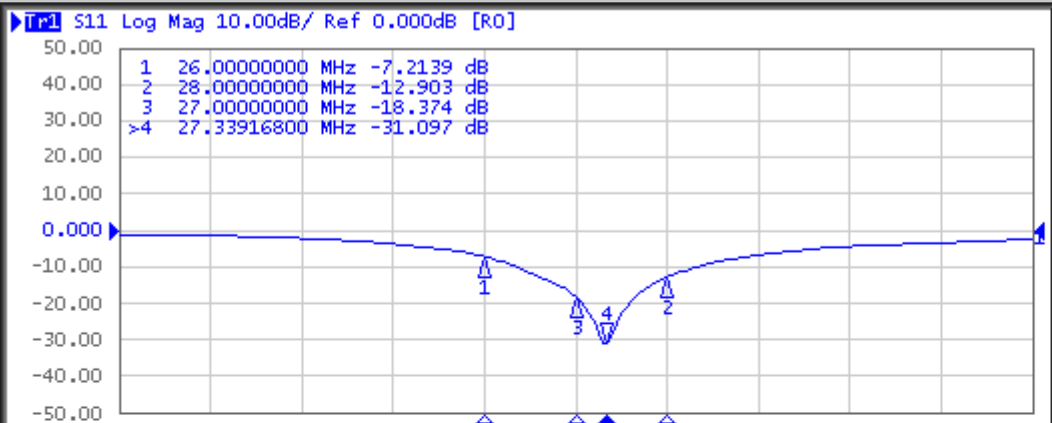


ISO 9001



	EVERCOM COMMUNICATION TECHNOLOGY CO., LTD			CHECKED BY	APPROVAL BY	DESIGNED BY	SCALE	UNIT
	MODEL NAME		MODEL NO.	CB-2315NP		C.H.C	1:3	mm
						2010.05.12		

1 Active Ch/Trace 2 Response 3 Stimulus 4 Mkr/Analysis 5 Instr State



1 Center 27 MHz IFBW 70 kHz Span 10 MHz Cor 1

System

Print

Abort Printing

Printer Setup...

Invert Image ON

Dump Screen Image...

E5091A Setup

Misc Setup

Backlight ON

Firmware Revision

Meas Stop ExtRef Ready Svc 2020-12-30 09:51

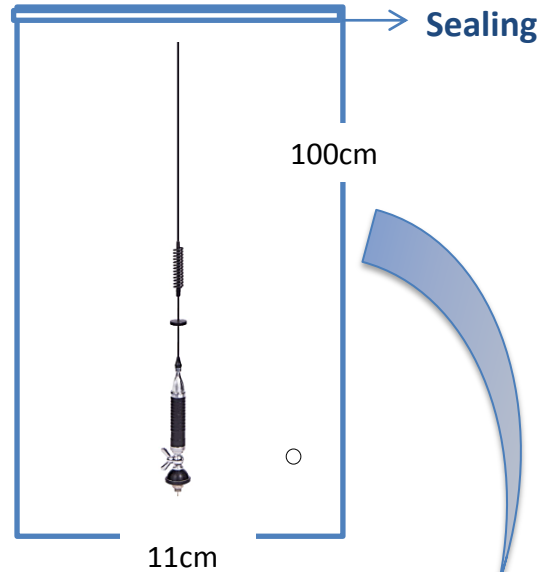
CB & VHF/UHF Series



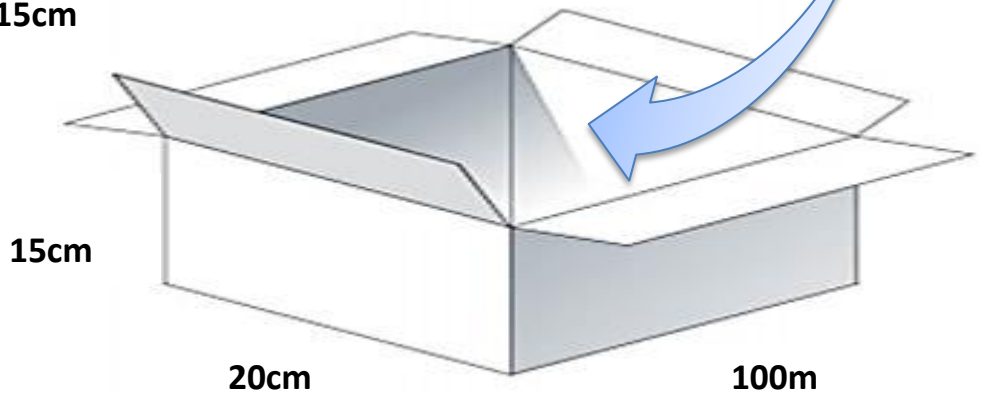
The World Wide Leader in Antenna

Packaging

***1 pcs Antenna PE bag/ each**



***25 pcs Bulk /per Carton
Dimensions:100*20*15cm**



ISO 9001