

## CB & VHF/UHF Series



*The World Wide Leader in Antenna*

# CB ANTENNA

## CB-2316NP



Frequency : 26-28Mhz

V.S.W.R. : <1.5:1

Power : 250W

Impedance : 50 Ohm

Material : SUS/ABS/Copper

Mount :  $\phi$ 12.5mm NP Type

Connector : PL259 (Optional)

Weight : 560g

Dimension : 1353x41x5mm

Color : Black

Polarization : VERTICAL

Temperature : -20°C to +60°C

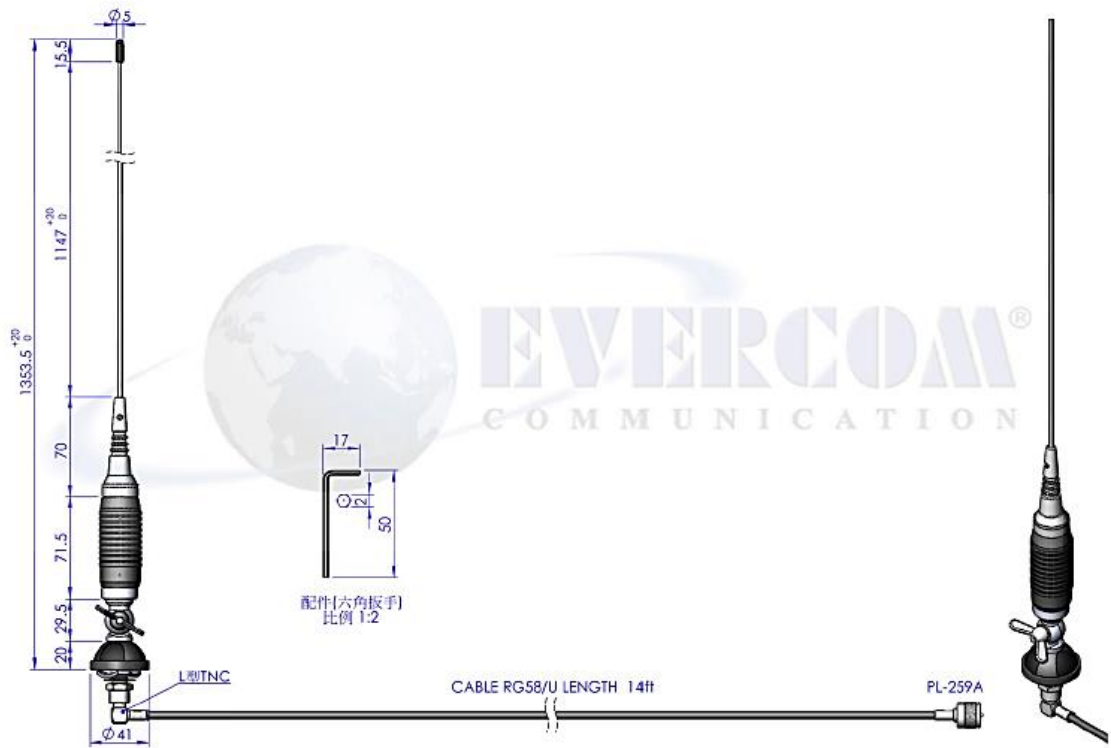
**EVERCOM COMMUNICAITON TECHNOLOGY CO., LTD.**

No.108 Jiesin St. Taoyuan District Taoyuan City 33063, Taiwan R.O.C.

Tel: +886-3-376-5678 Fax: +886-3-376-5319 E-Mail: [service@evercomtech.com](mailto:service@evercomtech.com)



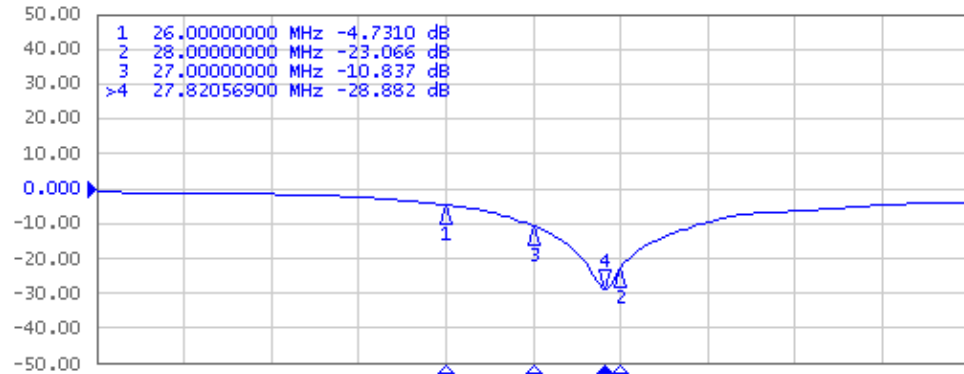
ISO 9001



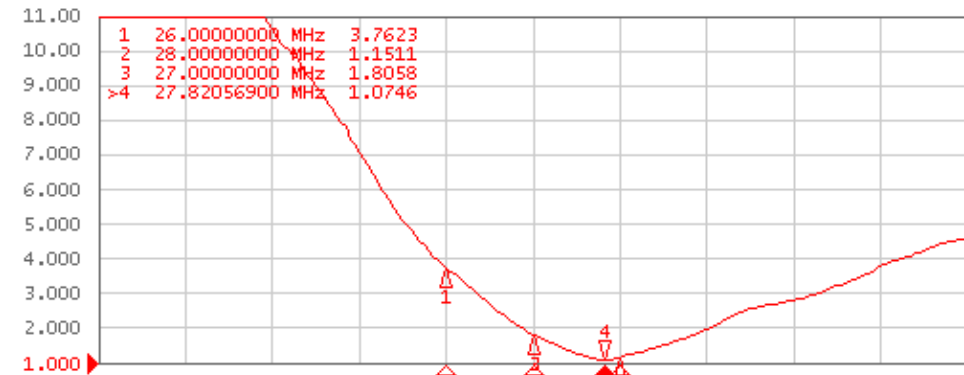
	EVERCOM COMMUNICATION TECHNOLOGY CO; LTD		CHECKED BY	APPROVAL BY	DESIGNED BY	SCALE	UNIT
	MODEL NAME	MODEL NO.		<i>Ben</i> 20121113	C.H.C 2012.11.13	1 : 3	mm
		CB-2316NP					

1 Active Ch/Trace 2 Response 3 Stimulus 4 Mkr/Analysis 5 Instr State

Tr1 S22 Log Mag 10.00dB/ Ref 0.000dB [R0]



Tr2 S22 SWR 1.000/ Ref 1.000 [R0]



1 Center 27 MHz IFBW 70 kHz Span 10 MHz Cor |

Meas Stop ExtRef Ready Svc 2018-04-26 11:14

System

Print

Abort Printing

Printer Setup...

Invert Image ON

Dump Screen Image...

E5091A Setup

Misc Setup

Backlight ON

Firmware Revision

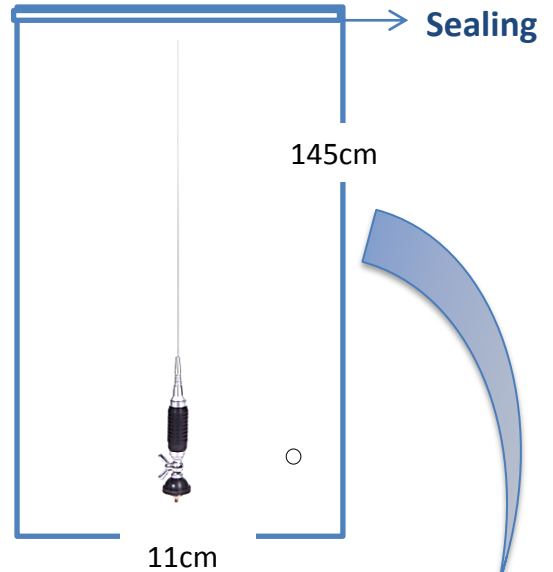
# CB & VHF/UHF Series



*The World Wide Leader in Antenna*

## Packaging

**\*1 pcs Antenna PE bag/ each**



**\*25 pcs Bulk /per Carton**  
**Dimensions:150\*20\*20cm**

