

**CB &VHF/UHF
Series**



The World Wide Leader in Antenna

CB ANTENNA

CB-2319NP



Frequency : 26-28Mhz

V.S.W.R. : <1.2:1

Power : 200W

Impedance : 50 Ohm

Material : SUS/ABS/Copper

Mount : ϕ 12.5mm NP Type

Connector : PL259 (Optional)

Weight : 520g

Color : Black

Dimension : 915x45x4.5mm

Polarization : VERTICAL

Temperature : -20°C to +60°C

EVERCOM COMMUNICAITON TECHNOLOGY CO., LTD.

No.108 Jiesin St. Taoyuan District Taoyuan City 33063, Taiwan R.O.C.

Tel: +886-3-376-5678 Fax: +886-3-376-5319 E-Mail: service@evercomtech.com



ISO 9001

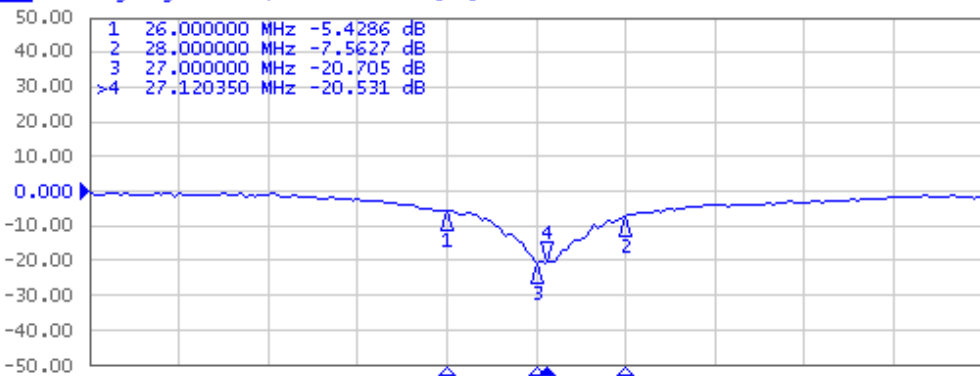


	EVERCOM COMMUNICATION TECHNOLOGY CO., LTD			CHECKED BY	APPROVAL BY	DESIGNED BY	SCALE	UNIT
	MODEL NAME		MODEL NO.	CB-2319NP		<i>Ben</i> 20140401	C.H.C 2014.04.01	1 : 3

1 Active Ch/Trace 2 Response 3 Stimulus 4 Mkr/Analysis 5 Instr State

Evercom Communication Technology Co., Ltd.

▶ Tr1 S22 Log Mag 10.00dB/ Ref 0.000dB [R0]



Tr2 S22 SWR 1.000/ Ref 1.000 [R0]



1 Center 27 MHz IFBW 70 kHz Span 10 MHz Cor !

System

Print

Abort Printing

Printer Setup...

Invert Image
ON

Dump Screen Image...

Multiport Test Set Setup

Misc Setup

Backlight
ON

Firmware Revision

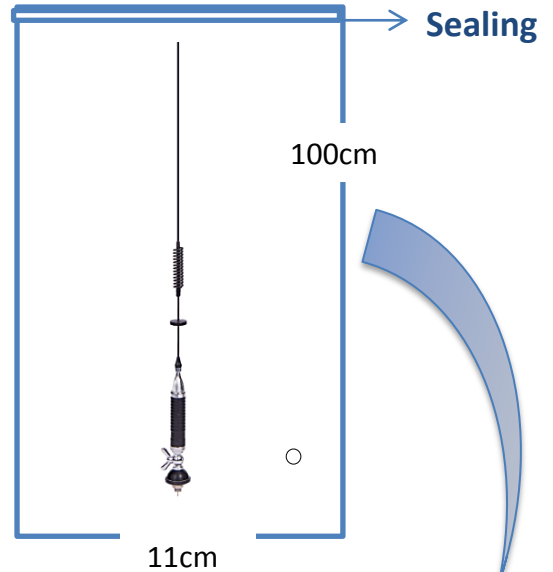
CB & VHF/UHF Series



The World Wide Leader in Antenna

Packaging

***1 pcs Antenna PE bag/ each**



***25 pcs Bulk /per Carton
Dimensions:100*20*15cm**

