

**CB &VHF/UHF
Series**



The World Wide Leader in Antenna

CB ANTENNA

CB-2328NP



Frequency : 26-28Mhz

V.S.W.R. : <1.5:1

Max Power : 200W

Impedance : 50 Ohm

Material : SUS/ABS/ZINC

Mount : ϕ 12.5mm NP Type

Color : Black

Connector : PL259 (Optional)

Weight : 500g

Dimension : 1593x41x5mm

Polarization : VERTICAL

Temperature : -20°C to +60°C

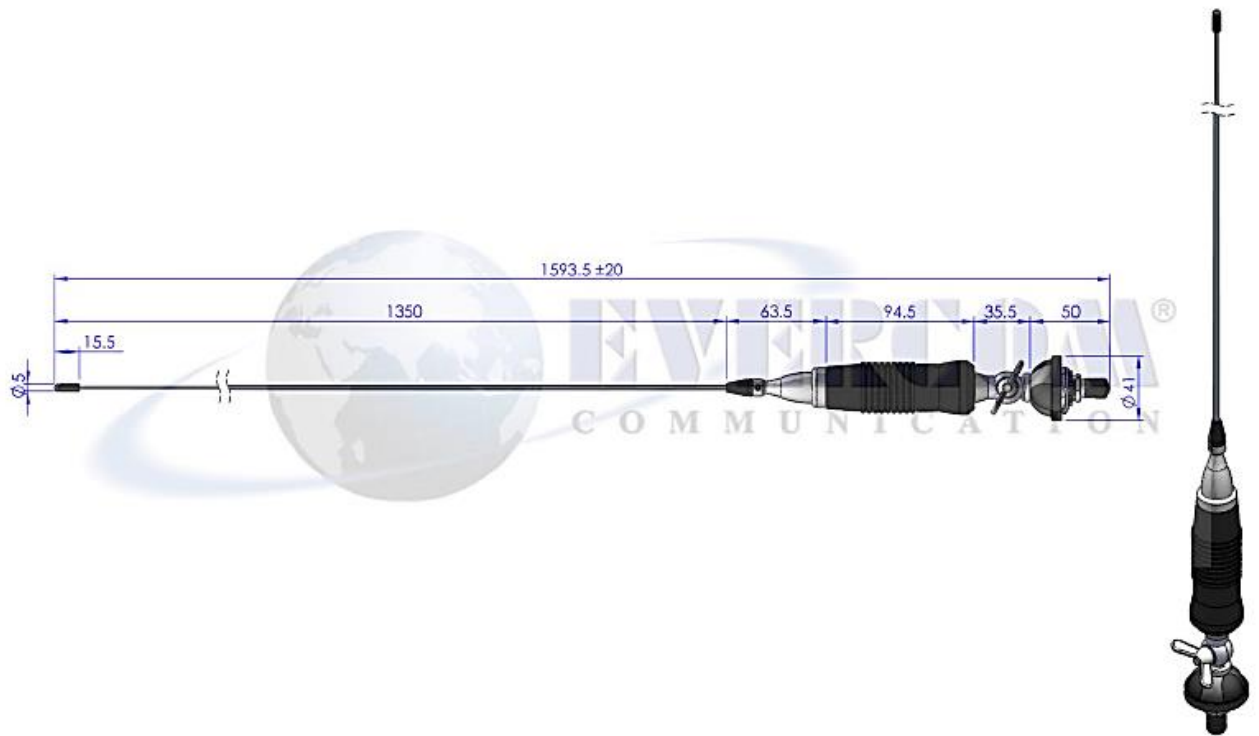
EVERCOM COMMUNICAITON TECHNOLOGY CO., LTD.

No.108 Jiesin St. Taoyuan District Taoyuan City 33063, Taiwan R.O.C.

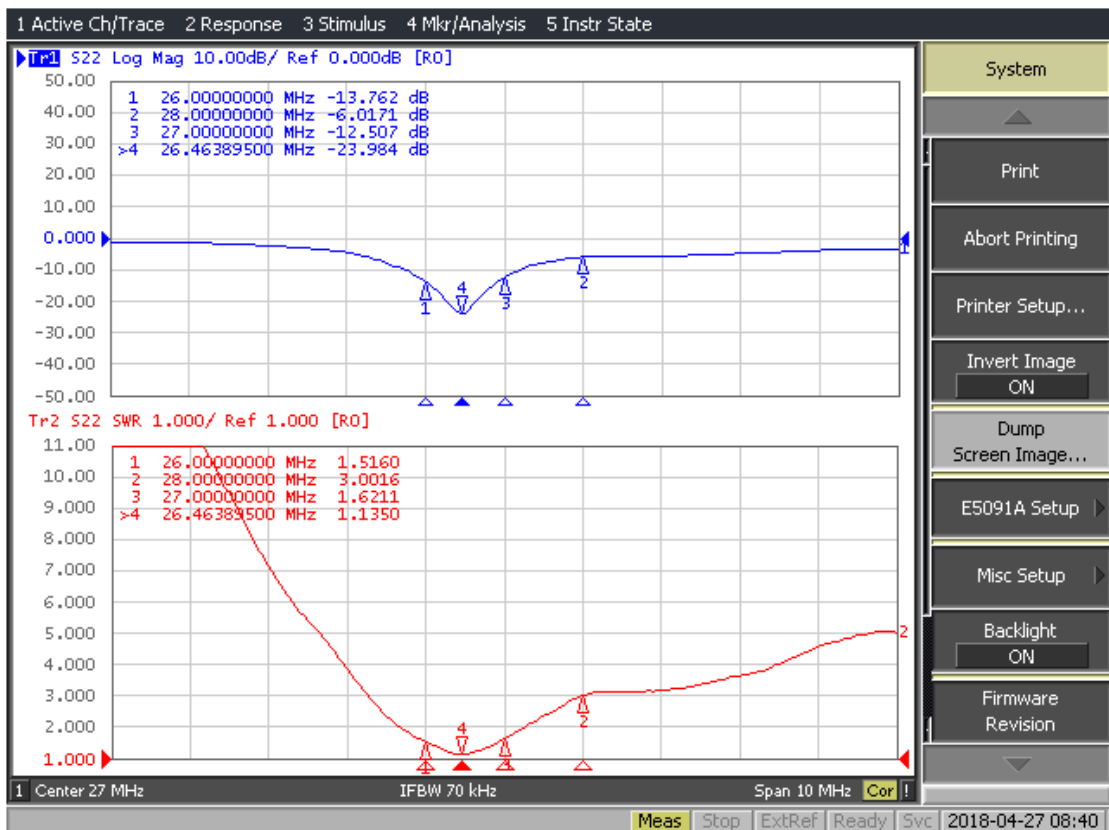
Tel: +886-3-376-5678 Fax: +886-3-376-5319 E-Mail: service@evercomtech.com



ISO 9001



	EVERCOM COMMUNICATION TECHNOLOGY CO; LTD			CHECKED BY	APPROVAL BY	DESIGNED BY	SCALE	UNIT
	MODEL NAME		MODEL NO.	CB-2328NP		<i>Ben</i> 20140401	C.H.C 2014.04.01	1:3



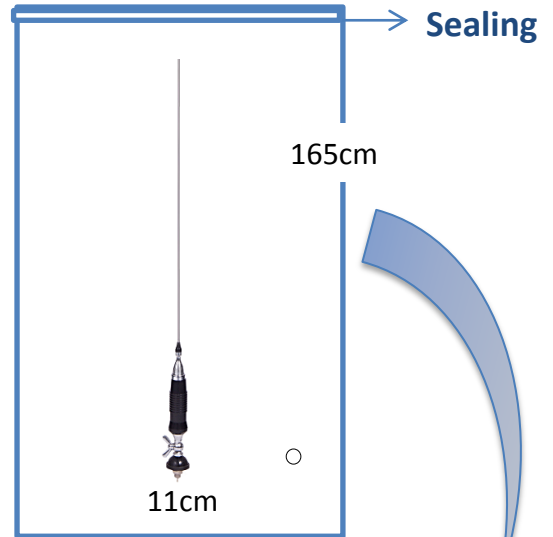
CB & VHF/UHF Series



The World Wide Leader in Antenna

Packaging

***1 pcs Antenna PE bag/ each**



***25 pcs Bulk /per Carton
Dimensions:165*20*15cm**

