

**CB & VHF/UHF
Series**



The World Wide Leader in Antenna

CB ANTENNA

CB-2351NP



Frequency : 26-28Mhz

V.S.W.R : <1.5:1

Max Power: 150W

Impedance : 50 Ohm

Material : TRP/ZINC/SUS

Mount: \varnothing 12.5mm NP Type

Weight: 480g

Connector : PL259

Dimension: 630x41x11.5mm

Polarization: VERTICAL

Temperature:-20°C to +60°C

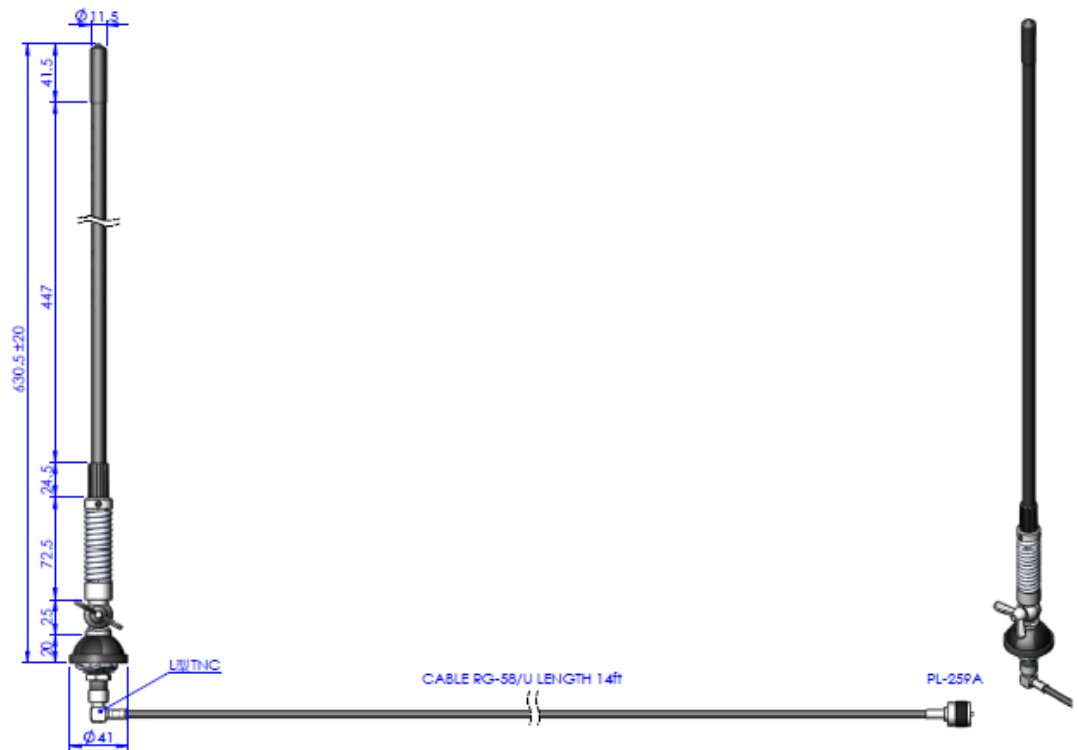
EVERCOM COMMUNICAITON TECHNOLOGY CO., LTD.

No.108 Jiesin St. Taoyuan District Taoyuan City 33063, Taiwan R.O.C.

Tel: +886-3-376-5678 Fax: +886-3-376-5319 E-Mail: service@evercomtech.com



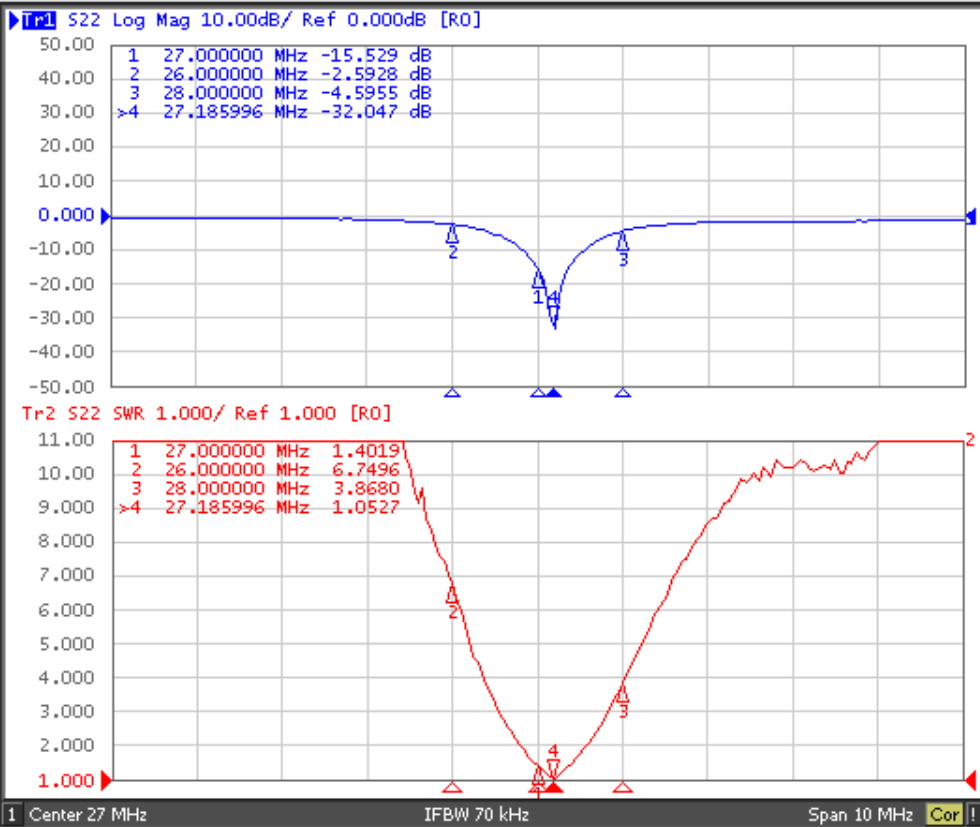
ISO 9001



EVERCOM COMMUNICATION TECHNOLOGY CO., LTD			CHECKED BY	APPROVAL BY	DESIGNED BY	SCALE	UNIT
MODEL NAME	MODEL NO.	CB-2351NP			C.H.C	1 : 2	mm
					2012.05.02		

Evercom Communication Technology Co., Ltd. Frequency Inspection Report

1 Active Ch/Trace 2 Response 3 Stimulus 4 Mkr/Analysis 5 Instr State



System

Print

Abort Printing

Printer Setup...

Invert Image ON

Dump Screen Image...

Multiport Test Set Setup

Misc Setup

Backlight ON

Firmware Revision

Meas Stop ExtRef Ready Svc 2016-09-29 08:13

Item No. :FG-CB-2351NP

Inspector: Amber

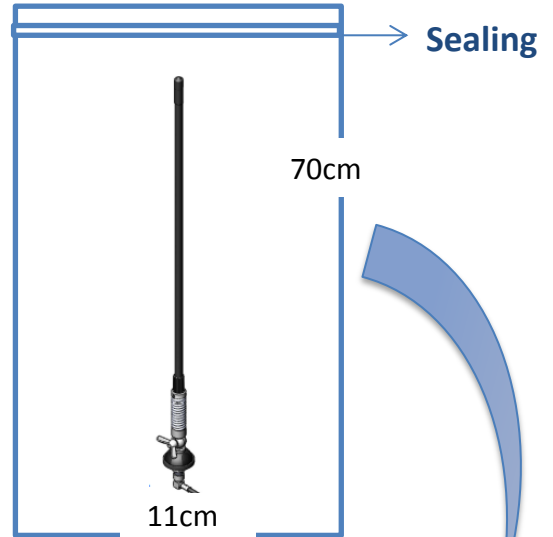
**CB & VHF/UHF
Series**



The World Wide Leader in Antenna

Packaging

***1 pcs Antenna PE bag/ each**



***25 pcs Bulk /per Carton
Dimensions:70*30*15cm**

