

**CB &VHF/UHF
Series**



The World Wide Leader in Antenna

CB ANTENNA

CB-28



Frequency : 26-27Mhz

V.S.W.R : <1.3:1

Max Power : 200W

Impedance : 50 Ohm

Material : Copper/ABS/SUS

Mount : ϕ 12.5mm NP Type

Connector : PL259 (Optional)

Color : Black

Weight : 480g

Dimension : 1369x41x5mm

Polarization : VERTICAL

Temperature : -20°C to +60°C

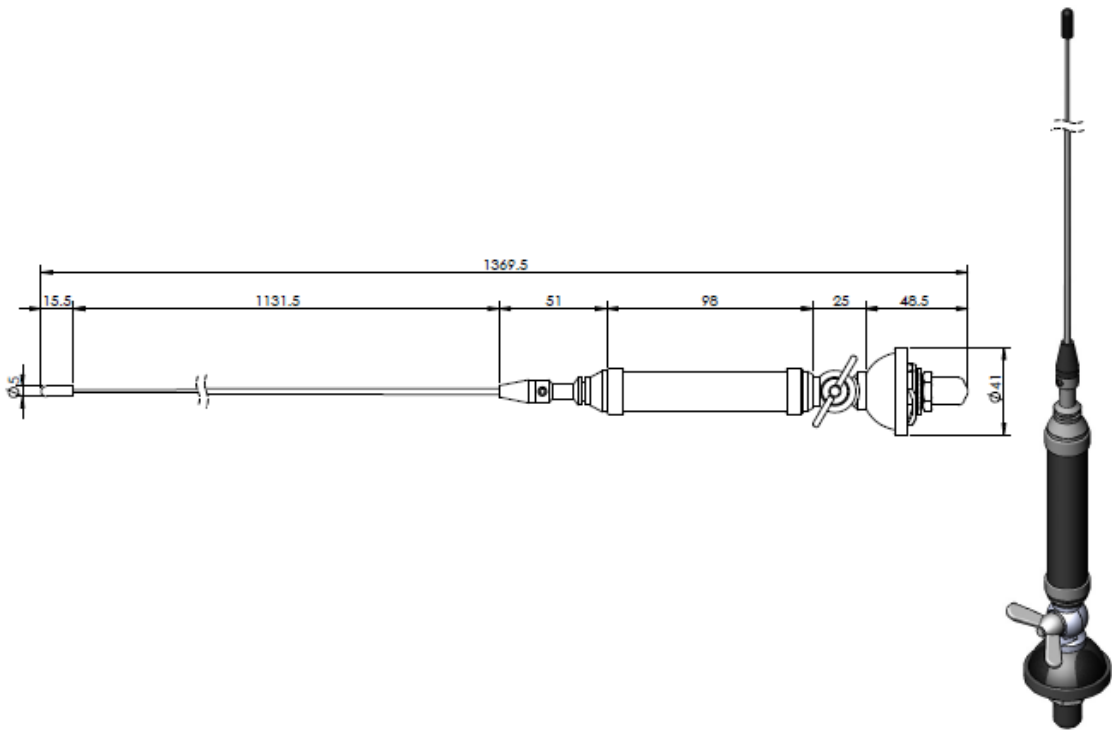
EVERCOM COMMUNICAITON TECHNOLOGY CO., LTD.

No.108 Jiesin St. Taoyuan District Taoyuan City 33063, Taiwan R.O.C.

Tel: +886-3-376-5678 Fax: +886-3-376-5319 E-Mail: service@evercomtech.com

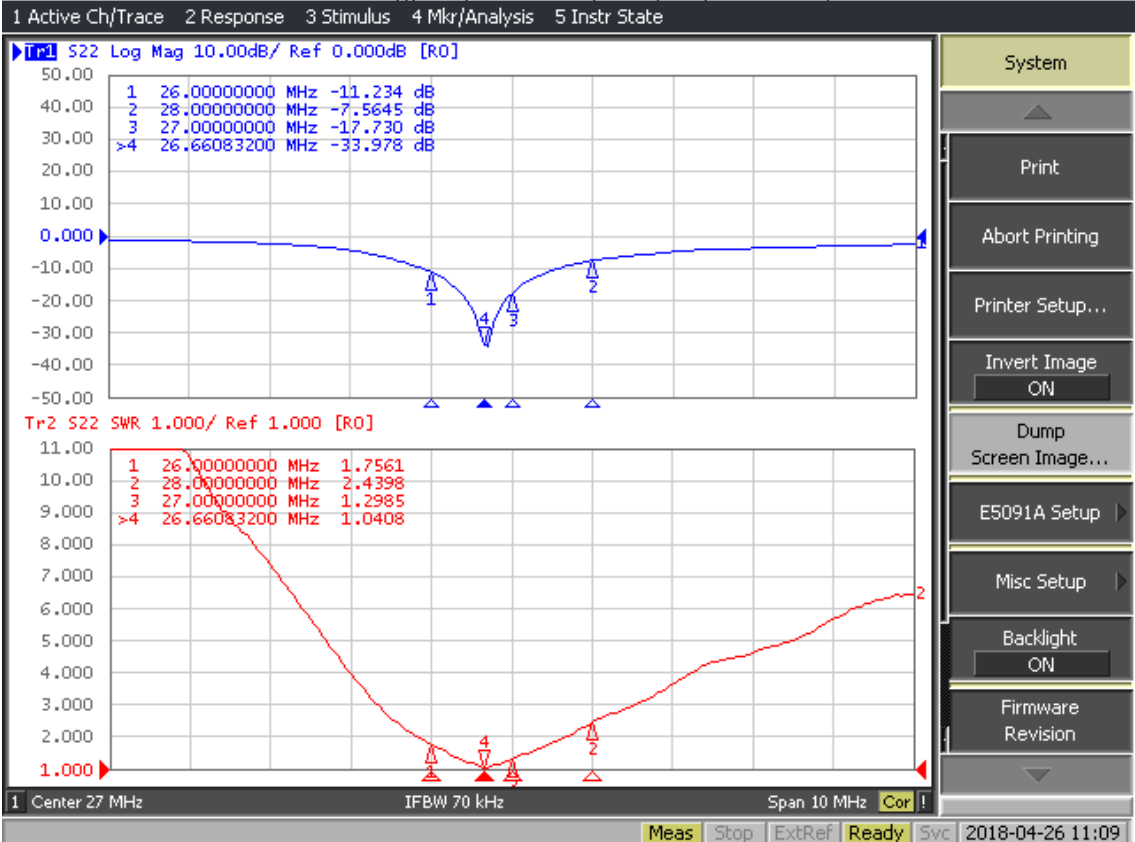


ISO 9001



	EVERCOM COMMUNICATION TECHNOLOGY CO., LTD			CHECKED BY	APPROVAL BY	DESIGNED BY	SCALE	UNIT
	MODEL NAME		MODEL NO.	CB-28			C.H.C 2009.08.11	1 : 2

Evercom Communication Technology Co., Ltd. Frequency Inspection Report



System

Print

Abort Printing

Printer Setup...

Invert Image
ON

Dump
Screen Image...

E5091A Setup ▶

Misc Setup ▶

Backlight
ON

Firmware
Revision

Item No. :FC-CB-28

Inspector: Amber

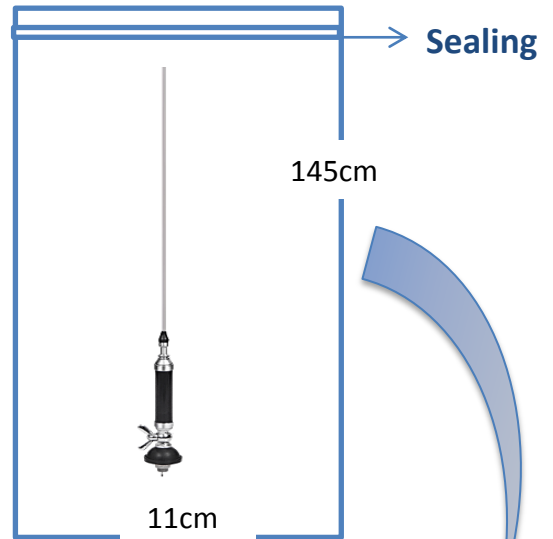
CB & VHF/UHF Series



The World Wide Leader in Antenna

Packaging

***1 pcs Antenna PE bag/ each**



***25 pcs Bulk /per Carton**
Dimensions:145*20*15cm

