

**CB &VHF/UHF
Series**



The World Wide Leader in Antenna

CB ANTENNA

CB-3101BM



Frequency : 26-28Mhz

V.S.W.R : <1.5:1

Max Power: 50W

Impedance : 50 Ohm

Material : Copper /Heat Tube

Mount: BNC

Weight: 50g

Dimension: 224~ 701x13mm

Polarization: VERTICAL

Temperature:-20°C to +60°C

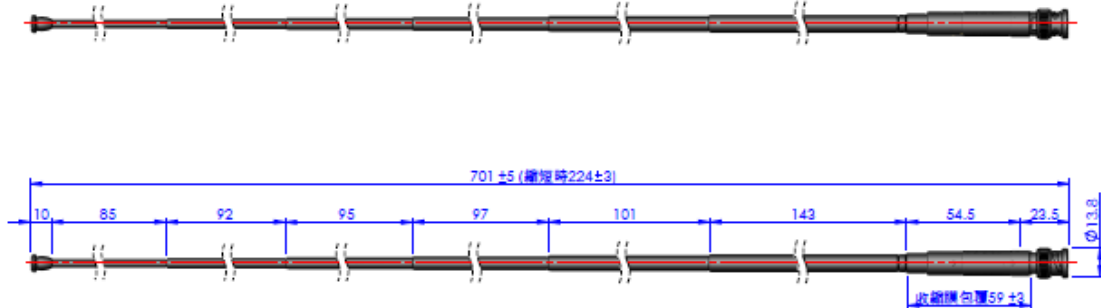
EVERCOM COMMUNICAITON TECHNOLOGY CO., LTD.

No.108 Jiesin St. Taoyuan District Taoyuan City 33063, Taiwan R.O.C.

Tel: +886-3- 376- 5678 Fax: +886-3- 376- 5319 E-Mail: service@evercomtech.com



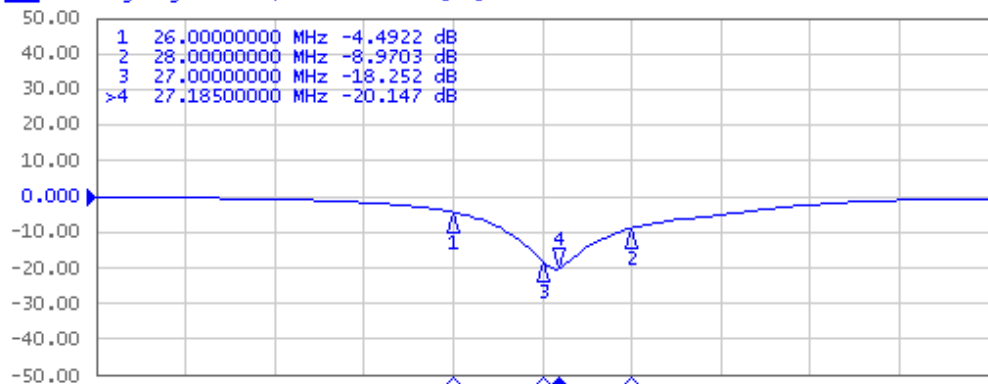
ISO 9001



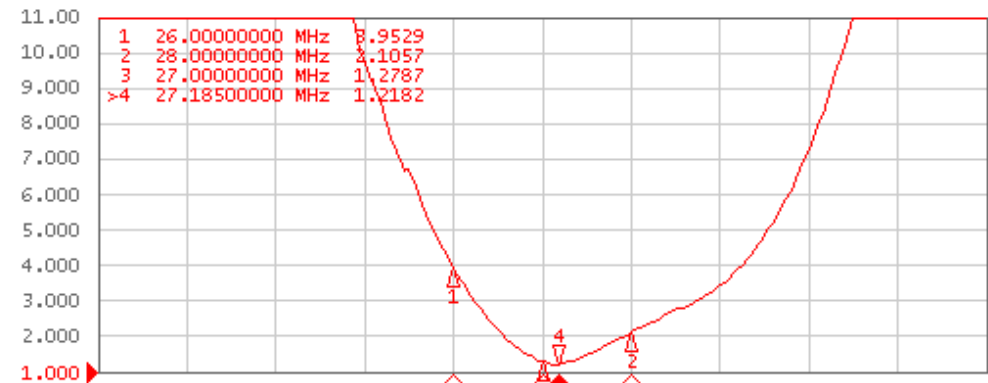
EVERCOM COMMUNICATION TECHNOLOGY CO., LTD		CHECKED BY	APPROVAL BY	DESIGNED BY	SCALE	UNIT
MODEL NAME	MODEL NO.	CB-3101BM		C.H.C	1 : 2	mm
				2011.02.24		

1 Active Ch/Trace 2 Response 3 Stimulus 4 Mkr/Analysis 5 Instr State

▶ Tr1 S22 Log Mag 10.00dB/ Ref 0.000dB [R0]



Tr2 S22 SWR 1.000/ Ref 1.000 [R0]



1 Center 27 MHz IFBW 70 kHz Span 10 MHz Cor

Meas Stop ExtRef Ready Svc 2020-05-12 13:05

System

Print

Abort Printing

Printer Setup...

Invert Image
ON

Dump Screen Image...

E5091A Setup ▶

Misc Setup ▶

Backlight
ON

Firmware Revision

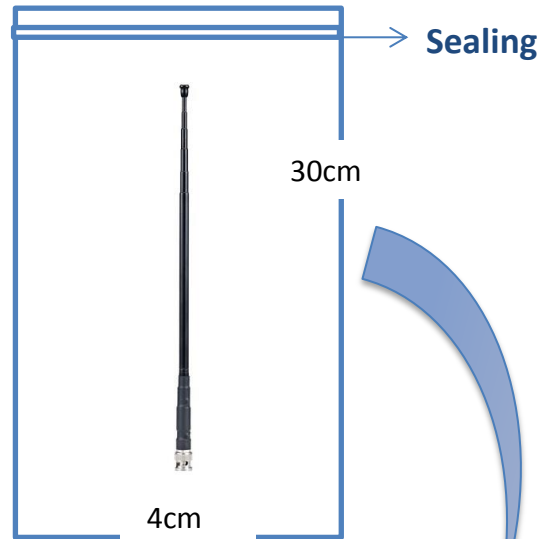
CB & VHF/UHF Series



The World Wide Leader in Antenna

Packaging

***1 pcs Antenna PE bag/ each**



***250 pcs Bulk /per Carton
Dimensions:30*30*20cm**

