

**CB &VHF/UHF
Series**



The World Wide Leader in Antenna

CB ANTENNA

TA-27

Frequency : 27/88-108Mhz

V.S.W.R : <1.5:1

Power : 10W

Impedance : 50 Ohm

Material : Copper / Steel

Connect : PL259, AM/FM Plug

Weight : 250g

Dimension : 84 x 70 x 35mm

Color : Black

Mount : UHF / F

Polarization : Linear (H) or (V)

Temperature : -20°C to +60°C



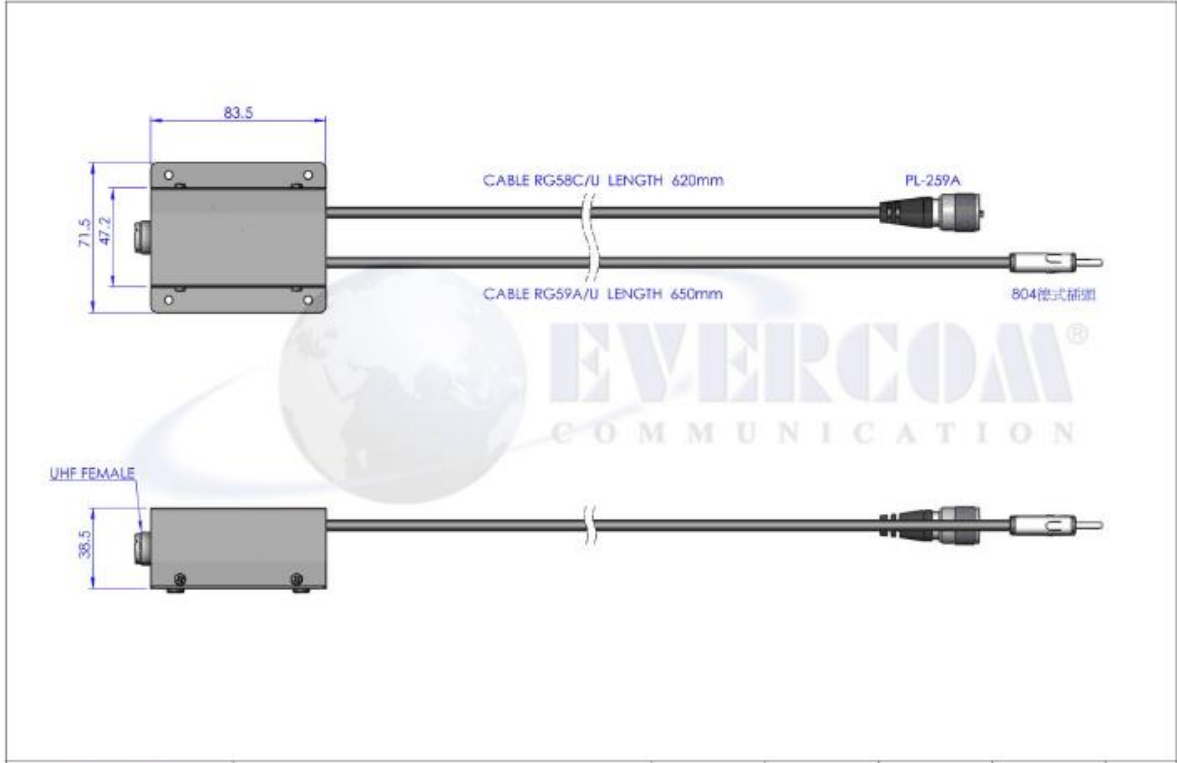
EVERCOM COMMUNICAITON TECHNOLOGY CO., LTD.


No.108 Jiesin St. Taoyuan District Taoyuan City 33063, Taiwan R.O.C.

Tel: +886-3-376-5678 Fax: +886-3-376-5319 E-Mail: service@evercomtech.com



ISO 9001



	EVERCOM COMMUNICATION TECHNOLOGY CO., LTD			CHECKED BY	APPROVAL BY	DESIGNED BY	SCALE	UNIT
	MODEL NAME	MODEL NO.	TA-27		<i>Ben</i> 2012.10.23	C.H.C 2012.10.17	1 : 2	mm

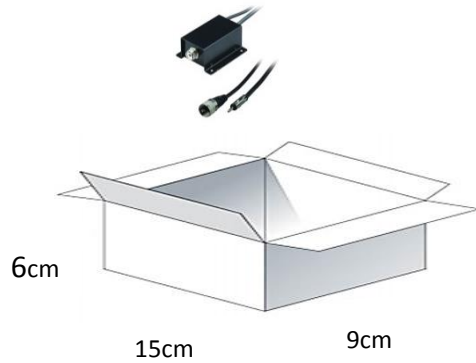
**CB & VHF/UHF
Series**



The World Wide Leader in Antenna

Packaging

***1 pcs Antenna PE bag/ each**



Dimensions:50*41*15cm

