



The World Wide Leader in Antenna

DVB-T ANTENNA

TV-M22IEC



Frequency : 470~860MHz

Gain : 0 dB

V.S.W.R : <1.6:1

Connector : IEC,F

Impedance : 50 Ohms

Material : Copper/ ABS/ Steel

Cable : RG 174 (Optional)

Weight : 70g

Dimension : 151 x 29 x 3mm

Mounting : Magnet Type

Color : Black

Polarization : Vertical

Temperature : -30°C to +60°C

EVERCOM COMMUNICAITON TECHNOLOGY CO., LTD.

No.108 Jiesin St. Taoyuan District Taoyuan City 33063, Taiwan R.O.C.

Tel: +886-3-376-5678 Fax: +886-3-376-5319 E-Mail: service@evercomtech.com

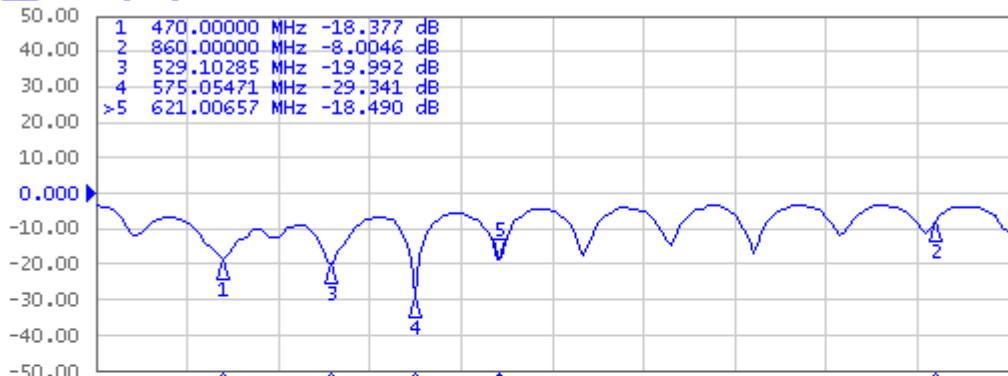


	EVERCOM COMMUNICATION TECHNOLOGY CO.; LTD		CHECKED BY	APPROVAL BY	DESIGNED BY	SCALE	UNIT
	MODEL NAME	MODEL NO.	TV-M22XMCX-M1.5			C.H.C 2012.08.21	1 : 1

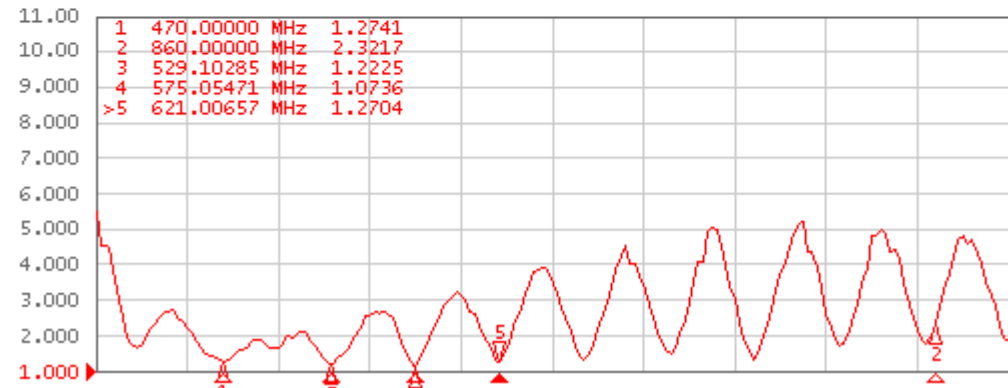
1 Active Ch/Trace 2 Response 3 Stimulus 4 Mkr/Analysis 5 Instr State

Evercom Communication Technology Co.,Ltd.

Tr1 S22 Log Mag 10.00dB/ Ref 0.000dB [R0]



Tr2 S22 SWR 1.000/ Ref 1.000 [R0]



1 Start 400 MHz IFBW 70 kHz Stop 900 MHz Cor !

System

Print

Abort Printing

Printer Setup...

Invert Image
ON

Dump
Screen Image...

Multiport Test Set
Setup

Misc Setup

Backlight
ON

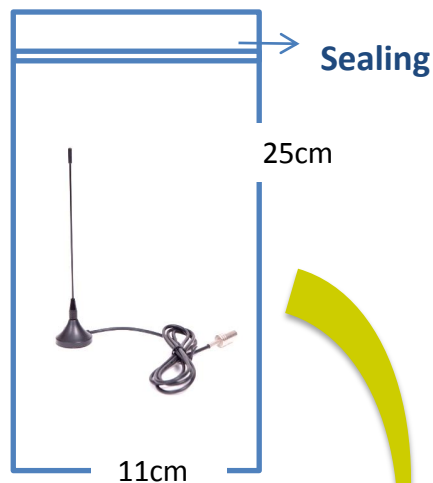
Firmware
Revision



The World Wide Leader in Antenna

Packaging

***1 pc Antenna
PE bag/ each**



**100 pcs per carton
Carton Dimensions:40*30*20cm**

