



*The World Wide Leader in Antenna*

# DVB-T ANTENNA

## TV-M22RT



Frequency : 172~860MHz

Gain : 3 dB

V.S.W.R : <1.5:1

Connector : SMA/M (Optional)

Impedance : 50 Ohms

Material : Copper/ ABS

Cable : RG 174 (Optional)

Weight : 80g

Dimension : 408 x 29 x 5.2mm

Mounting : Magnet Type

Color : Black

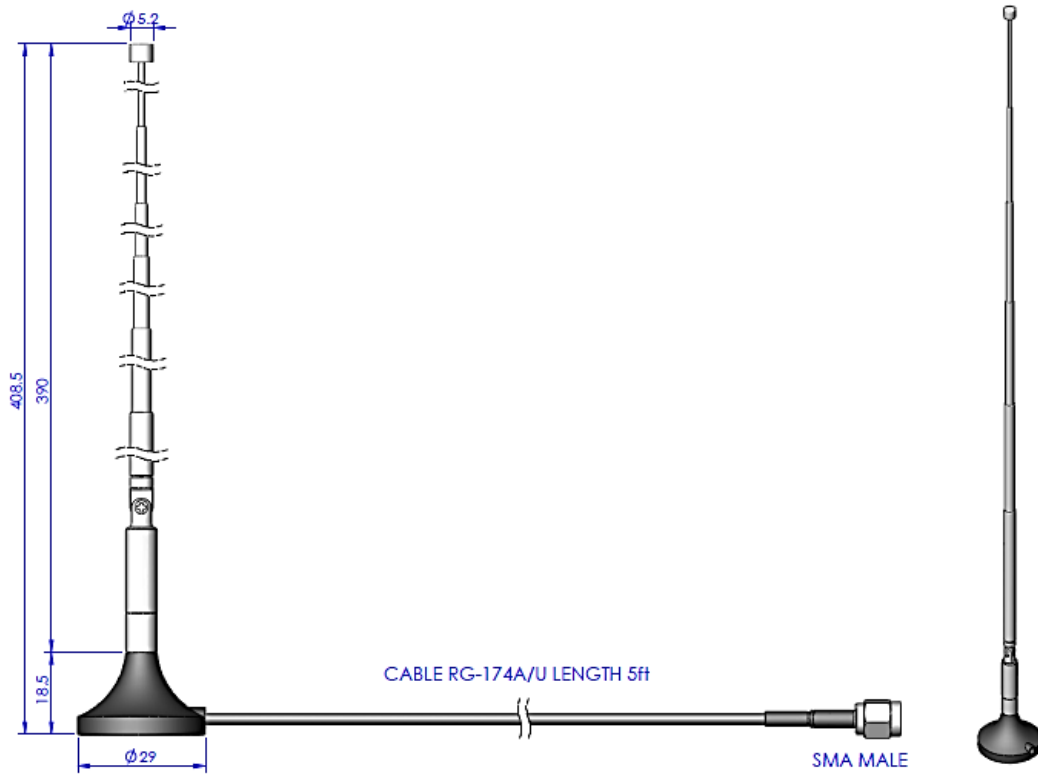
Polarization : Vertical

Temperature : -30°C to +60°C

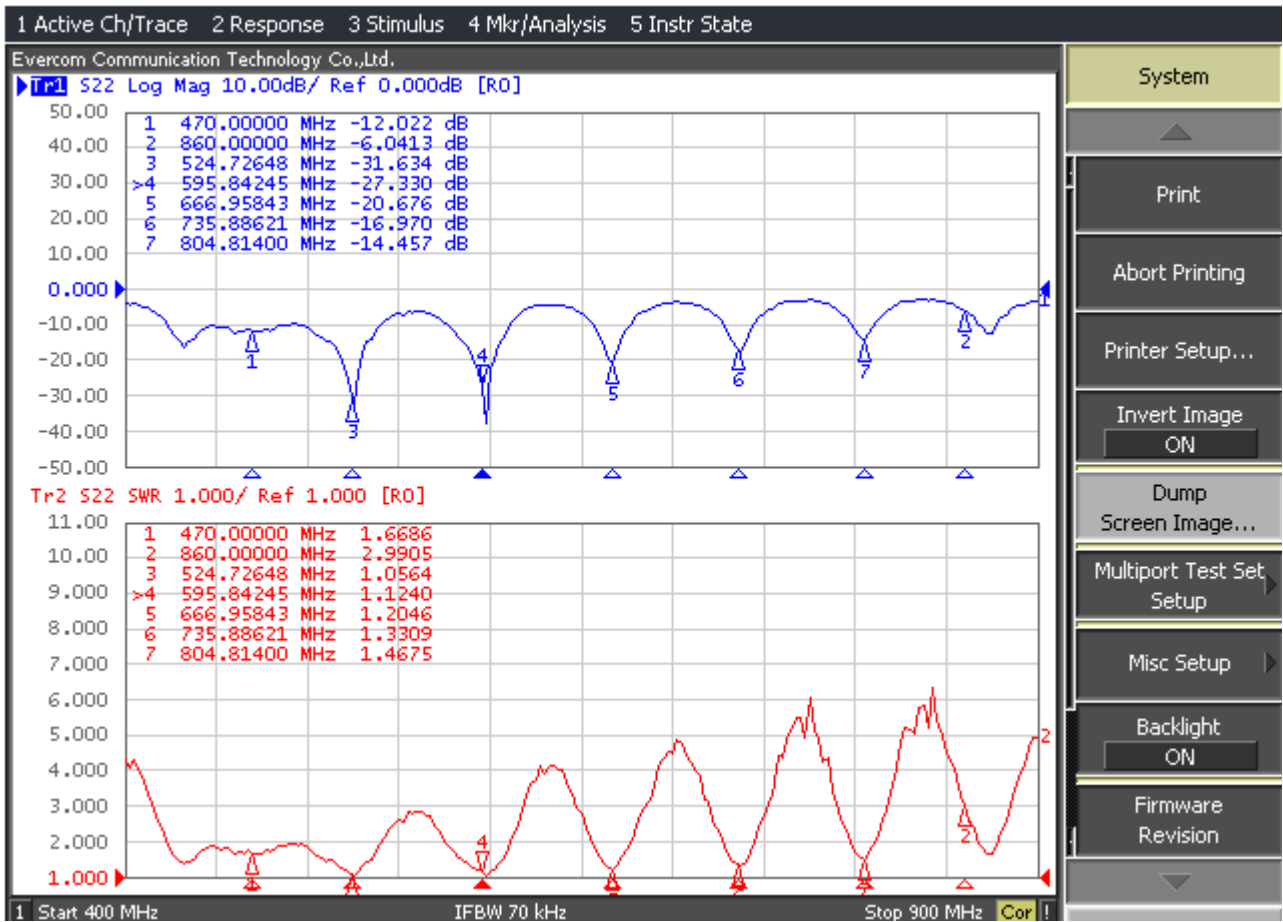
**EVERCOM COMMUNICAITON TECHNOLOGY CO., LTD.**

No.108 Jiesin St. Taoyuan District Taoyuan City 33063, Taiwan R.O.C.

Tel: +886-3-376-5678 Fax: +886-3-376-5319 E-Mail: [service@evercomtech.com](mailto:service@evercomtech.com)



EVERCOM COMMUNICATION TECHNOLOGY CO.; LTD		CHECKED BY	APPROVAL BY	DESIGNED BY	SCALE	UNIT
MODEL NAME	MODEL NO.	TV-M22RT-SMA-M1.5		C.H.C 2010.02.05	1 : 1	mm



System

Print

Abort Printing

Printer Setup...

Invert Image  
ON

Dump  
Screen Image...

Multiport Test Set  
Setup

Misc Setup

Backlight  
ON

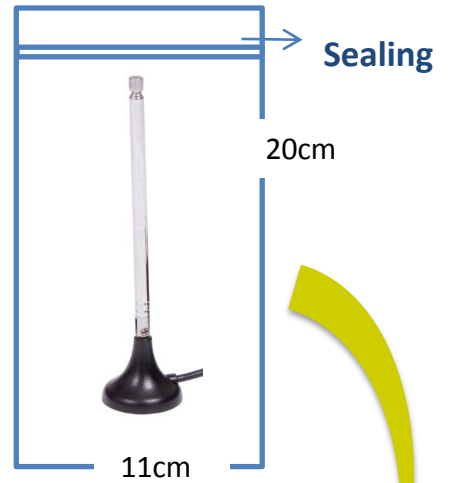
Firmware  
Revision



*The World Wide Leader in Antenna*

# Packaging

**\*1 pc Antenna  
PE bag/ each**



**100 pcs per carton  
Carton Dimensions:40\*30\*20cm**

