



The World Wide Leader in Antenna

DVB-T ANTENNA

TV-M50F



Frequency : 174~230/470~860MHz

Gain : 5 dB

V.S.W.R : <1.6:1

Connector : IEC,F

Impedance : 75 Ohms

Material : Copper/ TPR/ Steel

Cable : RG 59 (Optional)

Weight : 260g

Dimension : 446 x 48 x 5mm

Mounting : Magnet Type

Base diameter : 77 or 48mm

Color : Black

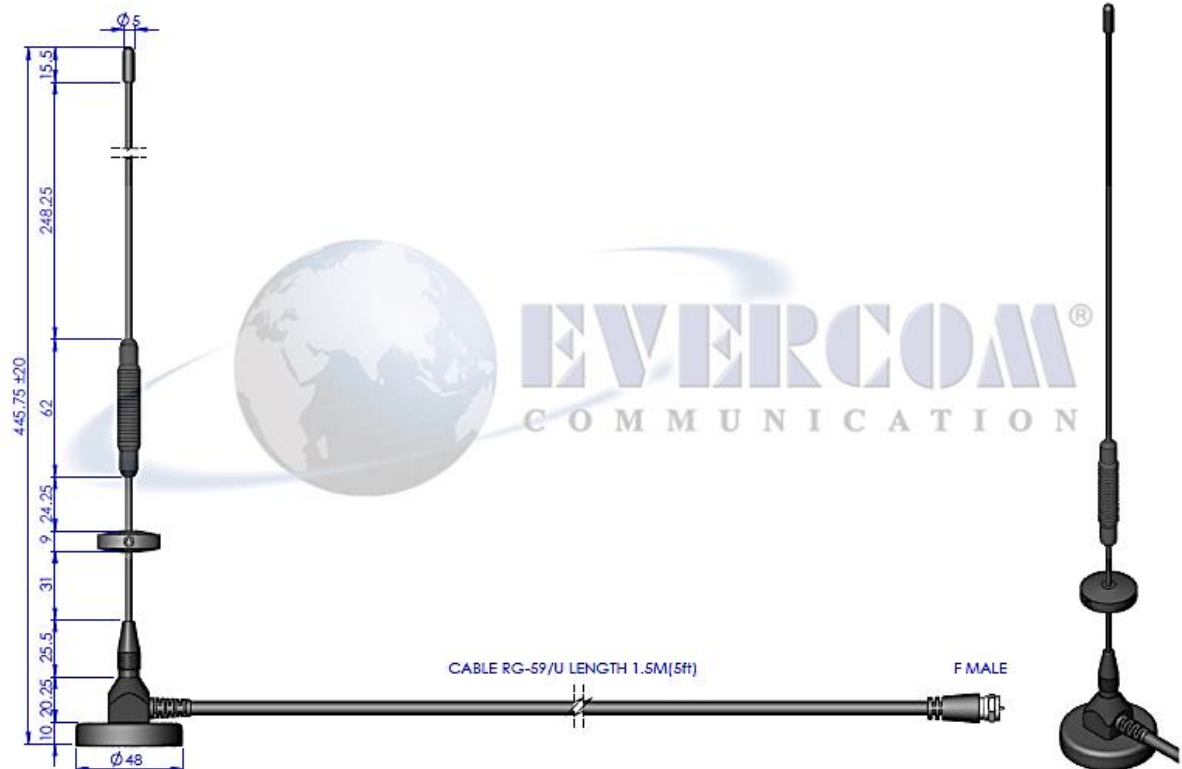
Polarization : Vertical

Temperature : -30°C to +60°C

EVERCOM COMMUNICAITON TECHNOLOGY CO., LTD.

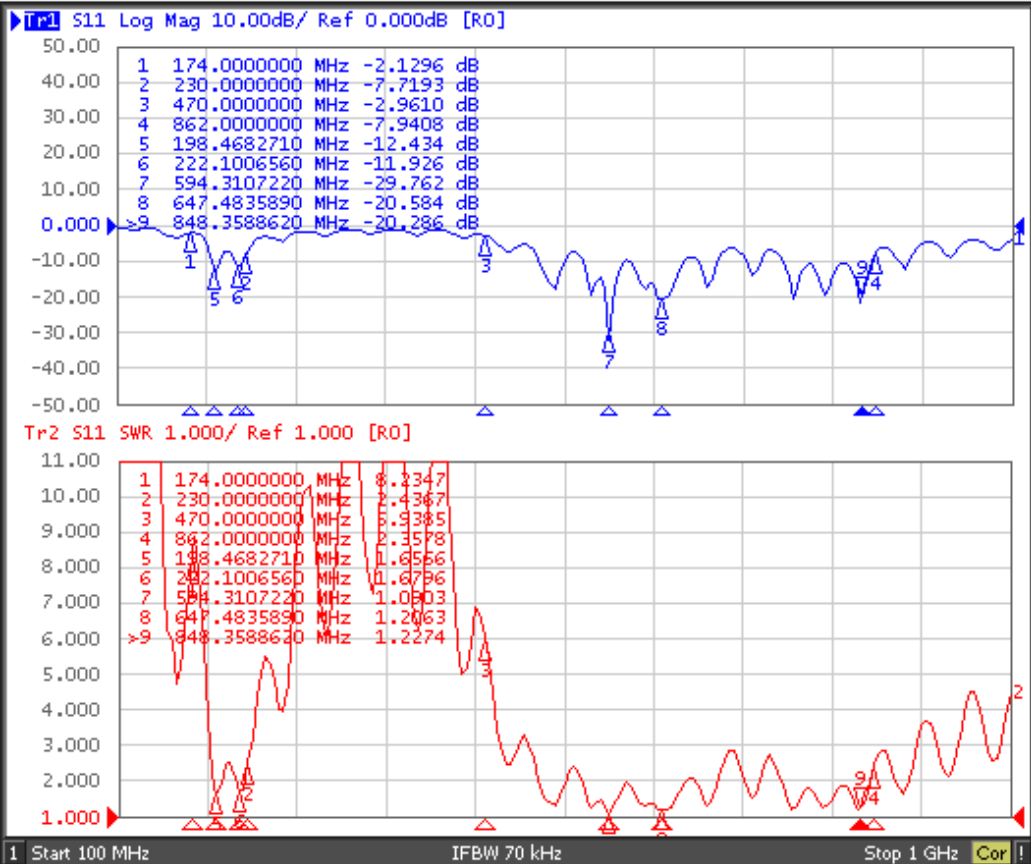
No.108 Jiesin St. Taoyuan District Taoyuan City 33063, Taiwan R.O.C.

Tel: +886-3-376-5678 Fax: +886-3-376-5319 E-Mail: service@evercomtech.com



	EVERCOM COMMUNICATION TECHNOLOGY CO.; LTD			CHECKED BY	APPROVAL BY	DESIGNED BY	SCALE	UNIT
	MODEL NAME	MODEL NO.	TV-M50F-M1		<i>Ben</i> 20170524	C.H.C 2017.05.17	1 : 2	mm

1 Active Ch/Trace 2 Response 3 Stimulus 4 Mkr/Analysis 5 Instr State



More Markers

- Marker 5
- Marker 6
- Marker 7
- Marker 8
- Marker 9
- Return

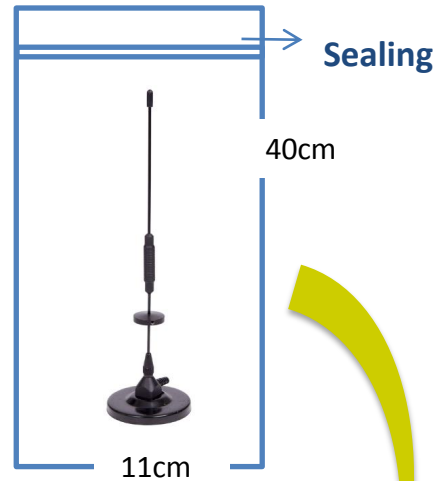
Meas Stop ExtRef Ready Svc 2019-01-24 14:49



The World Wide Leader in Antenna

Packaging

***1 pc Antenna
PE bag/ each**



**25 pcs per carton
Carton Dimensions:50*30*20cm**

