



The World Wide Leader in Antenna

DVB-T ANTENNA

TV-M66F



Frequency : 550~620MHz

Gain : 3 dB

V.S.W.R : <1.6:1

Connector : IEC,F

Impedance : 75 Ohms

Material : Copper/ PVC/ SUP

Cable : RG 59 (Optional)

Weight : 466g

Dimension : 145 x 80 x 12mm

Mounting : Magnet Type

Color : Black

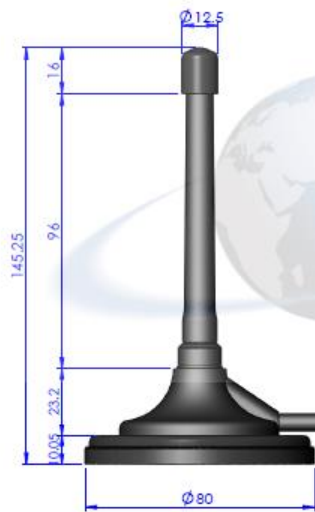
Polarization : Vertical

Temperature : -30°C to +60°C

EVERCOM COMMUNICAITON TECHNOLOGY CO., LTD.

No.108 Jiesin St. Taoyuan District Taoyuan City 33063, Taiwan R.O.C.

Tel: +886-3-376-5678 Fax: +886-3-376-5319 E-Mail: service@evercomtech.com



EVERCOM[®]
COMMUNICATION TECHNOLOGY CO., LTD.



CABLE RG-59/U LENGTH 3M(10F)

F MALE



EVERCOM COMMUNICATION TECHNOLOGY CO., LTD

CHECKED BY

APPROVAL BY

DESIGNED BY

SCALE

UNIT

MODEL NAME

MODEL NO.

TV-M66F-M3

Ben

C.H.C

1 : 1.5

mm

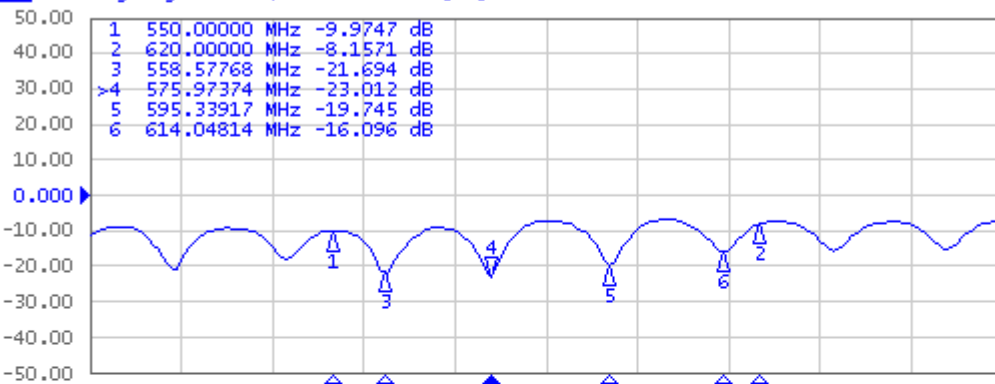
20170524

2017.05.14

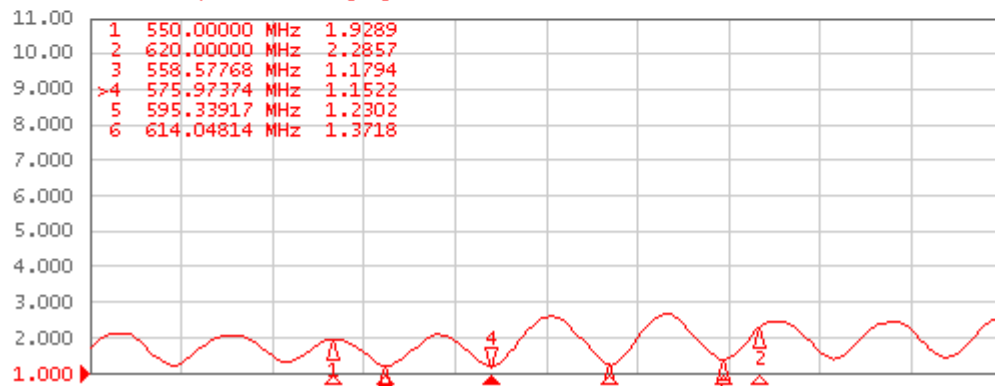
1 Active Ch/Trace 2 Response 3 Stimulus 4 Mkr/Analysis 5 Instr State

Evercom Communication Technology Co.,Ltd.

Tr1 S22 Log Mag 10.00dB/ Ref 0.000dB [R0]



Tr2 S22 SWR 1.000/ Ref 1.000 [R0]



1 Center 585 MHz

IFBW 70 kHz

Span 150 MHz

Cor

System

Print

Abort Printing

Printer Setup...

Invert Image

ON

Dump
Screen Image...

Multiport Test Set
Setup

Misc Setup

Backlight

ON

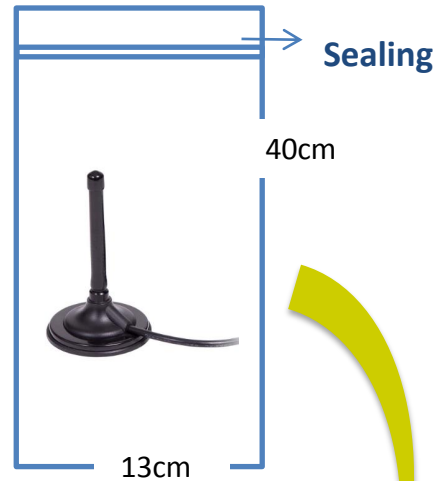
Firmware
Revision



The World Wide Leader in Antenna

Packaging

***1 pc Antenna
PE bag/ each**



**25 pcs per carton
Carton Dimensions:50*40*15cm**

