



The World Wide Leader in Antenna

GPS Antenna

GPS-20



Frequency : 1575.42Mhz

Gain : 2dBi

V.S.W.R : <2.0 :1

Impedance : 50 ohm

Amplification : 27dB

Noise Figure : 1.6dB

Connector : SMA Male (Optional)

Cable : RG174 (Optional)

Material : ABS Polymer

Weight : 70g

Color : Black

Polarization : Vertical

Mounting : Magnet Type

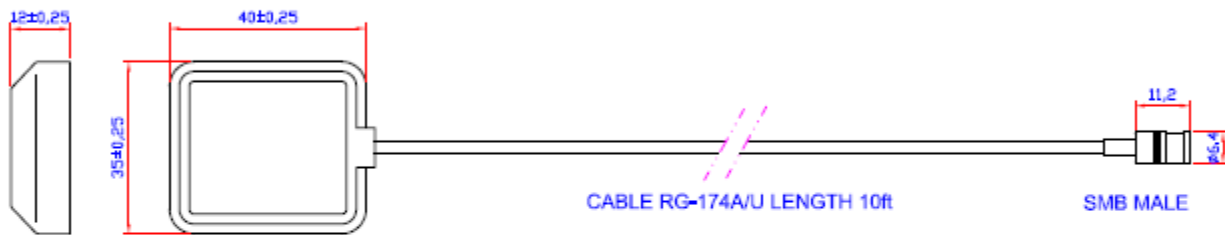
Dimension : $\Phi 38 \times 32$ mm


Temperature : -30°C to $+80^{\circ}\text{C}$

EVERCOM COMMUNICAITON TECHNOLOGY CO., LTD.

No.108 Jiesin St. Taoyuan District Taoyuan City 33063, Taiwan R.O.C.

Tel: +886-3- 376- 5678 Fax: +886-3- 376- 5319 E-Mail: service@evercomtech.com



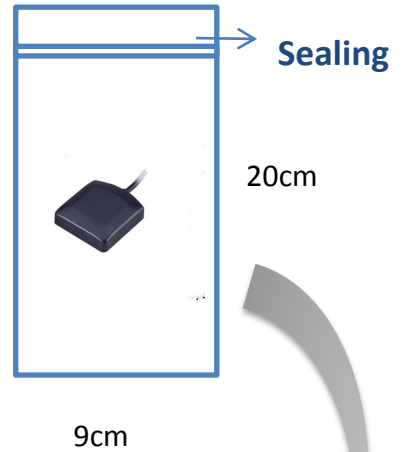
	EVERCOM COMMUNICATION TECHNOLOGY CO.; LTD.			CHECKED BY	APPROVAL BY	DESIGNED BY	SCALE	UNIT
	MODEL NAME		MODEL NO.	GPS-20		C.H.C 2006,07,21	1 : 1	mm



The World Wide Leader in Antenna

Packaging

***1 pc Antenna
PE bag/ each**



**500 pcs per carton
Carton Dimensions: 37*37*30cm**

