



The World Wide Leader in Antenna

GPS + UHF Antenna

GPU- 6



Frequency : 83-87/380-430
890-960/1575.42/1710-1880MHZ

Gain : 2dBi

Connector : SMA,FME,SMB

V.S.W.R : <1.5:1

Impedance : 50 ohm

Cable : RG174 × 2

Length : 500mm

Weight : 320g

Material : Copper/ABS/Zinc

Polarization : Vertical

Color : Black

Mounting : Roof Type

Temperature : -30°C ~80°C

Voltage supply : 3.0.....5V

Amplification : 26dB

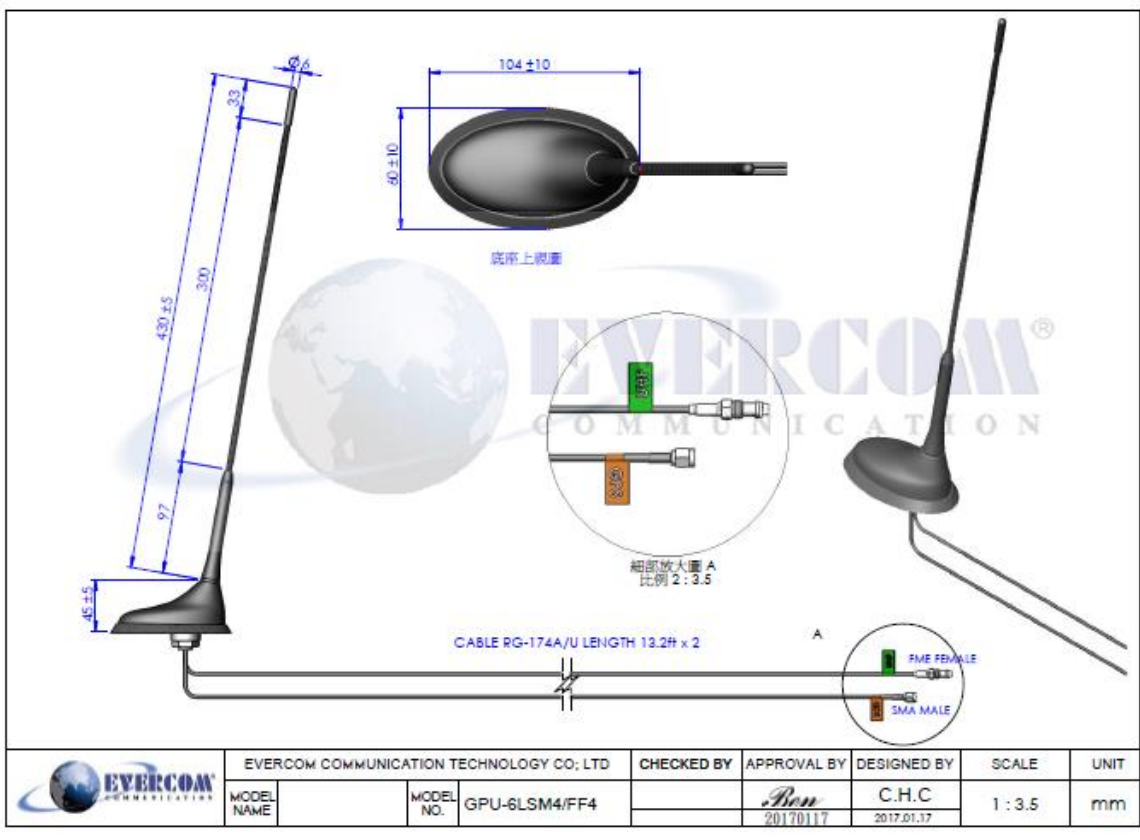
Noise Figure : 1.5dB

Current Consumption : Max. 20mA

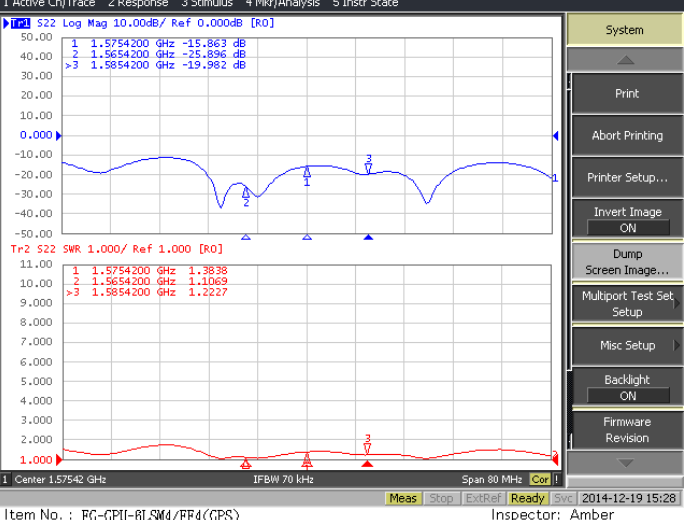
EVERCOM COMMUNICAITON TECHNOLOGY CO., LTD.

No.108 Jiesin St. Taoyuan District Taoyuan City 33063, Taiwan R.O.C.

Tel: +886-3- 376- 5678 Fax: +886-3- 376- 5319 E-Mail: service@evercomtech.com

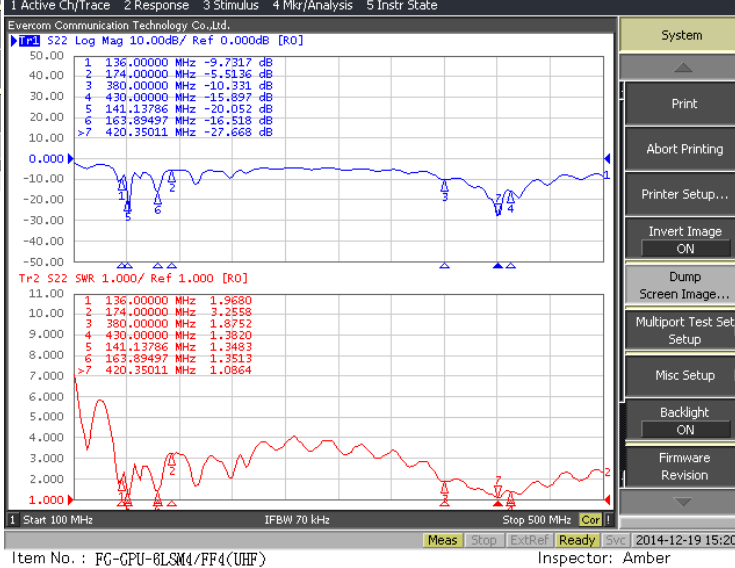


Evercom Communication Technology Co., Ltd. Frequency Inspection Report



GPS

Evercom Communication Technology Co., Ltd. Frequency Inspection Report



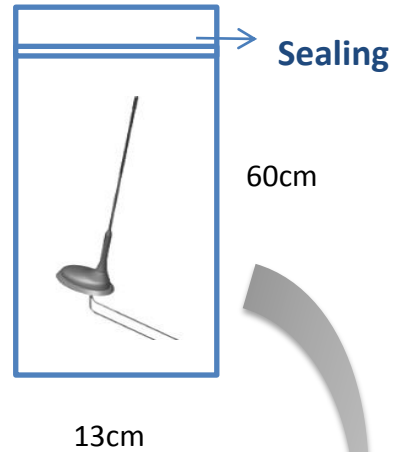
UHF



The World Wide Leader in Antenna

Packaging

***1 pc Antenna
PE bag/ each**



**25 pcs per carton
Carton Dimensions: 70*20*20cm**

