



The World Wide Leader in Antenna

GSM Antenna

TC-1301



Frequency : 824-960 / 1710-1800/1900-2200MHZ

Gain : 7dB

Connector : SMA/ Male (Optional)

V.S.W.R : <1.5:1

Impedance : 50 ohm

Cable : RG58 3.6M (Optional)

Length : 461mm

Weight : 450g

Material : SUS/ TPR/ Steel

Polarization : Vertical

Color : Black

Mounting : Magnet Type

Temperature : -20°C to +60°C

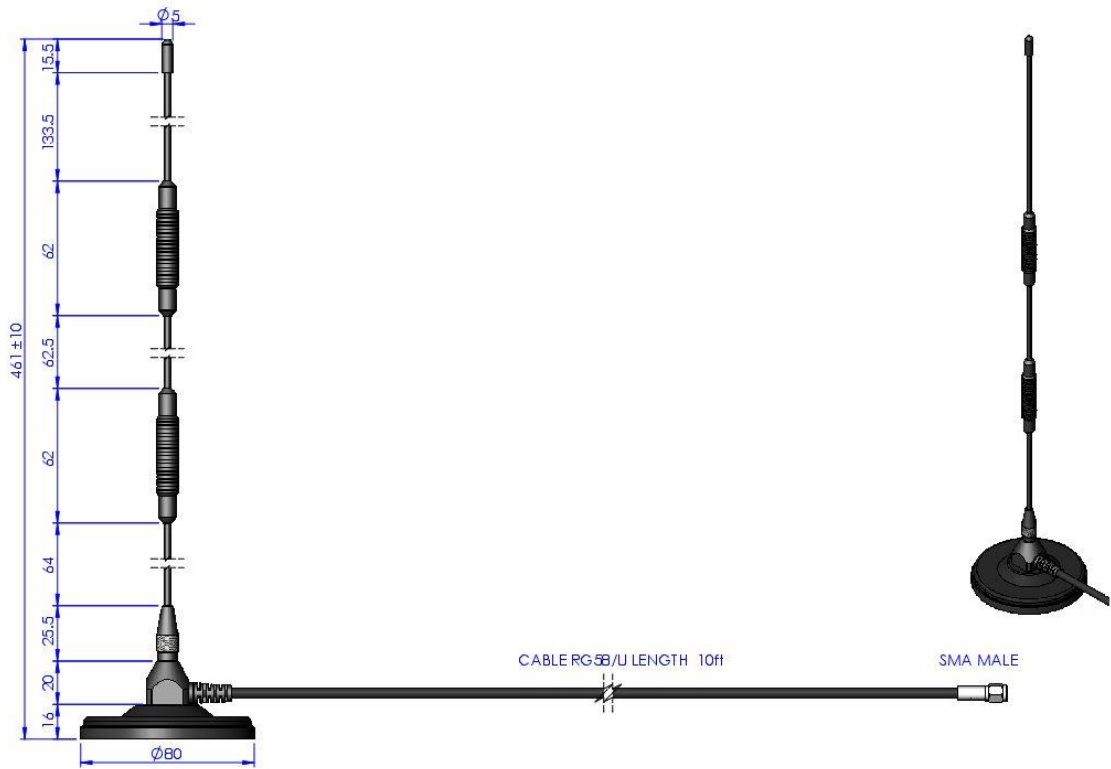
EVERCOM COMMUNICAITON TECHNOLOGY CO., LTD.

No.108 Jiesin St. Taoyuan District Taoyuan City 33063, Taiwan R.O.C.

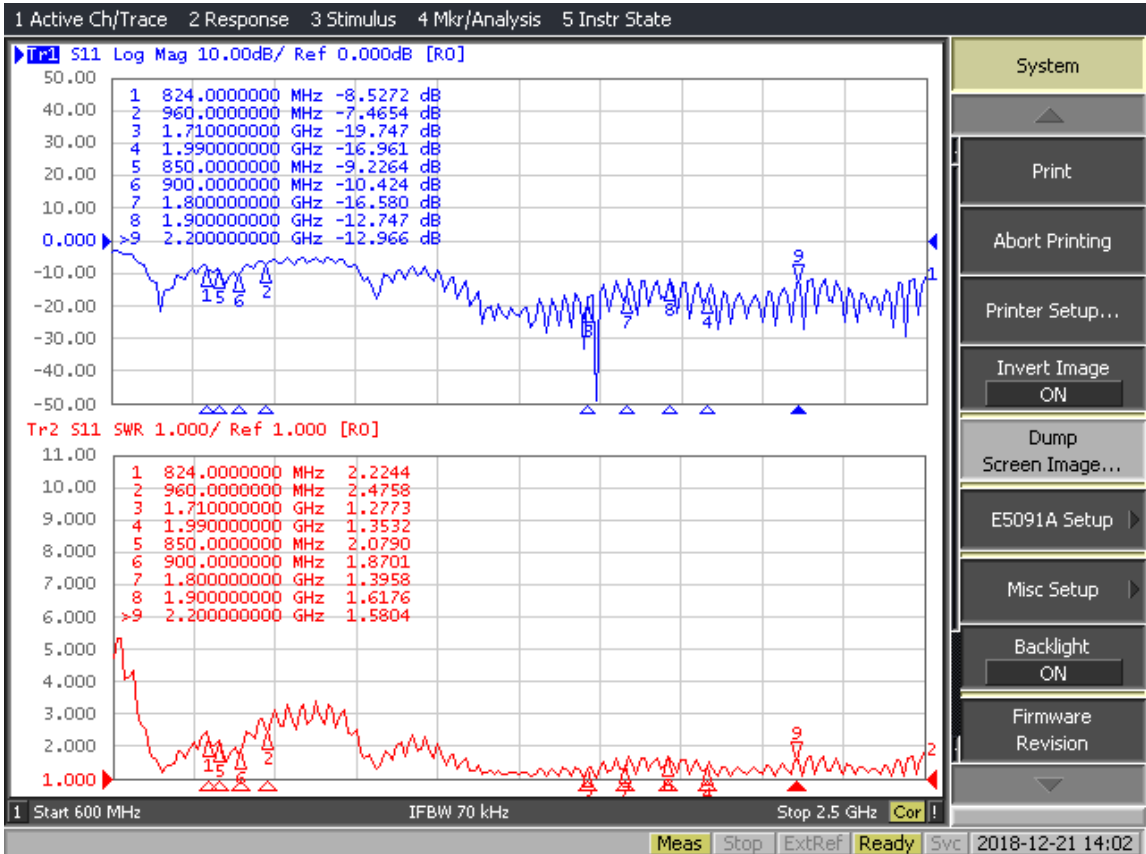
Tel: +886-3- 376- 5678 Fax: +886-3- 376- 5319 E-Mail: service@evercomtech.com



ISO 9001



	EVERCOM COMMUNICATION TECHNOLOGY CO., LTD		CHECKED BY	APPROVAL BY	DESIGNED BY	SCALE	UNIT
	MODEL NAME	MODEL NO.	TC-1301SMA-M3		C.H.C	1 : 2	mm
					2017.02.07		

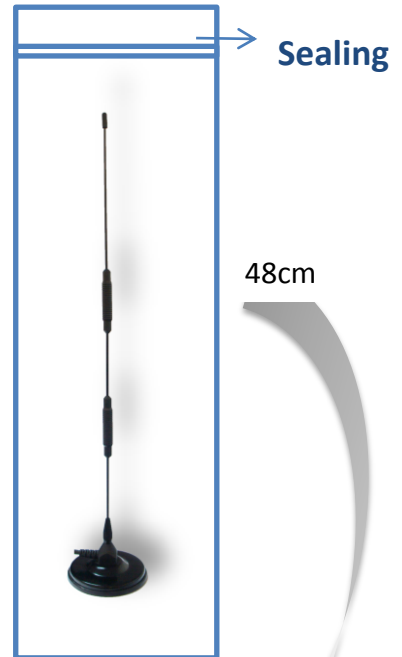




The World Wide Leader in Antenna

Packaging

***1 pc Antenna
PE bag/ each**



**25 pcs per carton
Carton Dimensions:50*40*15cm**

