



The World Wide Leader in Antenna

GSM Antenna

TC-101EUN-3



Frequency : 824-960 / 1710-1990/1800-2200MHZ

Gain : 4dB

V.S.W.R : <1.5:1

Impedance: 50 ohm

Connector : FME/ F (Optional)

Cable : RG174 3M (Optional)

Material : Steel/ ABS

Weight: 80g

Length: 233 mm

Color: Black

Polarization: Vertical

Mount: Magnet Type

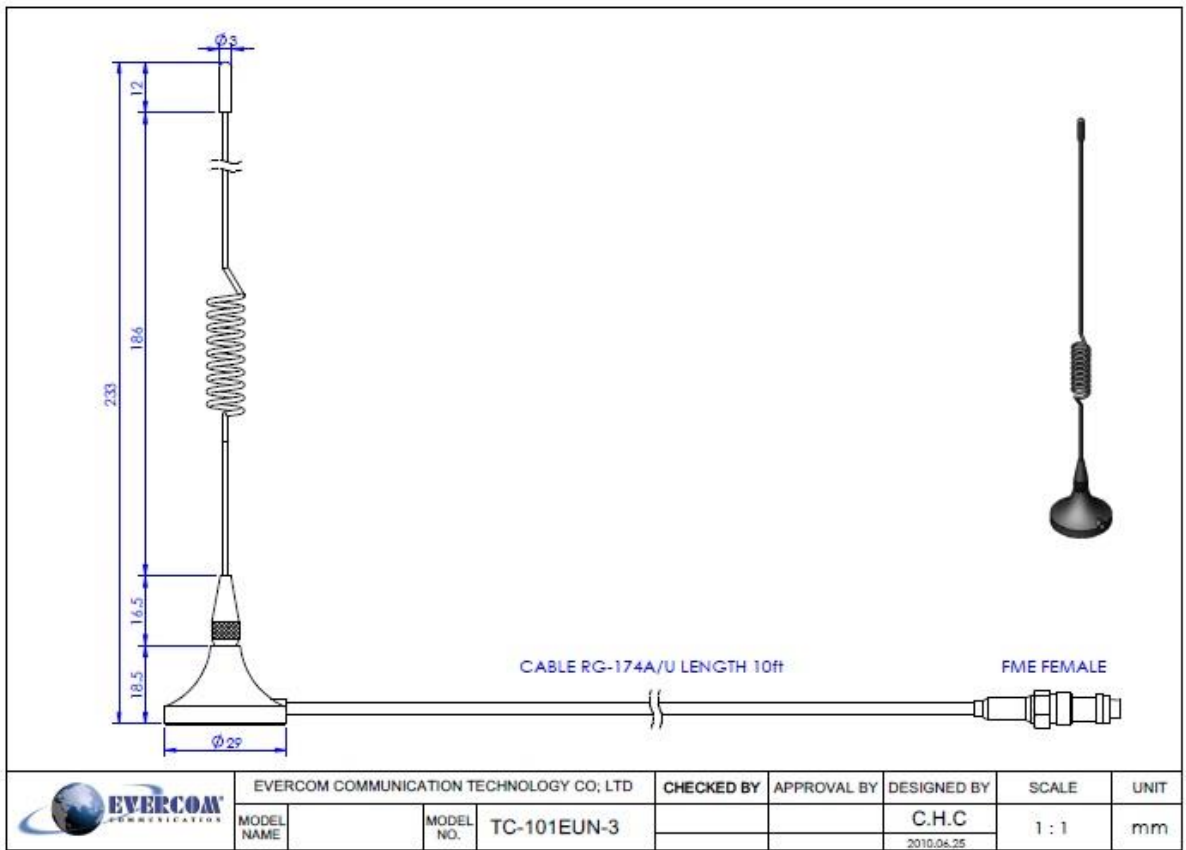
Temperature:-20°C to +60°C

Max. Power: 10W

EVERCOM COMMUNICAITON TECHNOLOGY CO., LTD.

No.108 Jiesin St. Taoyuan District Taoyuan City 33063, Taiwan R.O.C.

Tel: +886-3- 376- 5678 Fax: +886-3- 376- 5319 E-Mail: service@evercomtech.com

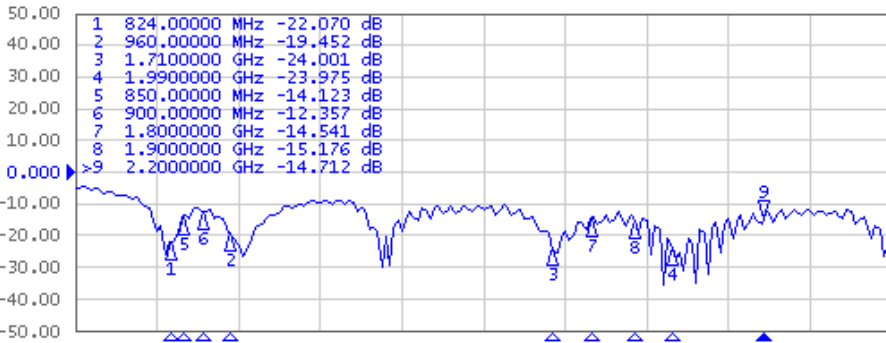


Evercom Communication Technology Co., Ltd. Frequency Inspection Report

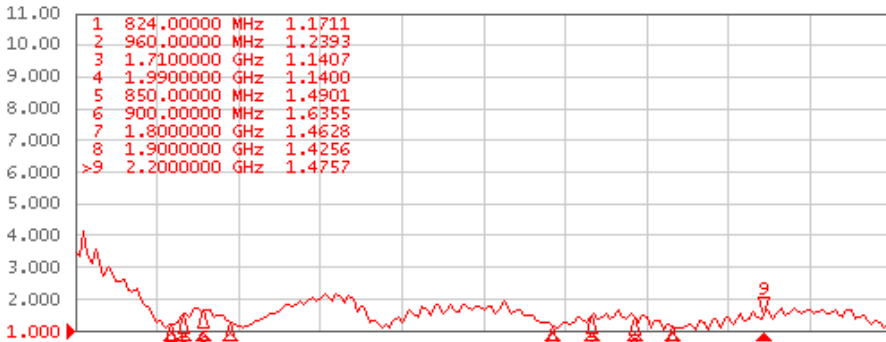
1 Active Ch/Trace 2 Response 3 Stimulus 4 Mkr/Analysis 5 Instr State

Evercom Communication Technology Co.,Ltd.

Tr1 S11 Log Mag 10.00dB/ Ref 0.000dB [R0]



Tr2 S11 SWR 1.000/ Ref 1.000 [R0]



1 Start 600 MHz IFBW 70 kHz Stop 2.5 GHz Cor

Meas Stop ExtRef Ready Svc 2011-10-13 12:07

Item No. : FC-TC-101EUN-3

Inspector: Amber



The World Wide Leader in Antenna

Packaging

***1 pc Antenna
PE bag/ each**

**100 pcs per carton
Carton Dimensions:40*30*20cm**

