



The World Wide Leader in Antenna

GSM Antenna

TC-210



Frequency : 800 / 1900 MHZ

Gain : 5dB

Connector: FME, Mini-UHF, TNC

V.S.W.R : <1.5:1

Impedance: 50 ohm

Cable: RG58

Length: 341.5mm

Weight: 90g

Material : Copper/ SUS

Polarization: Vertical

Color: Black

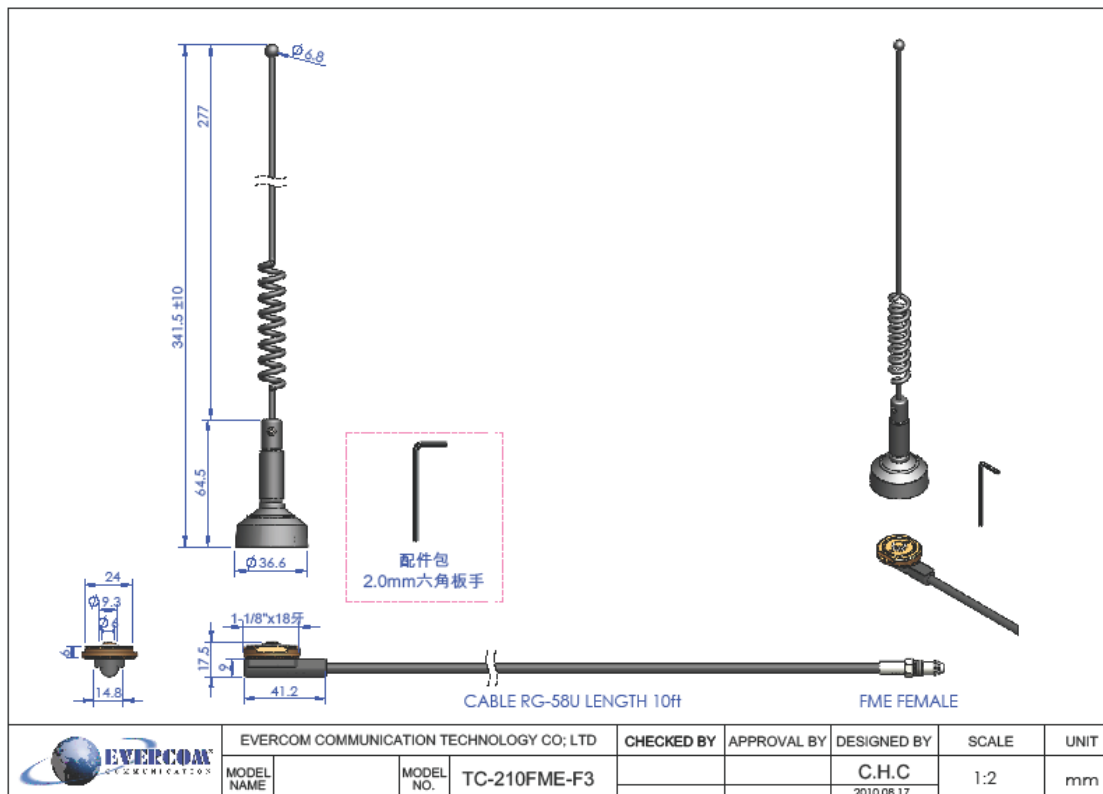
Mounting: NMO

Temperature:-20°C to +60°C

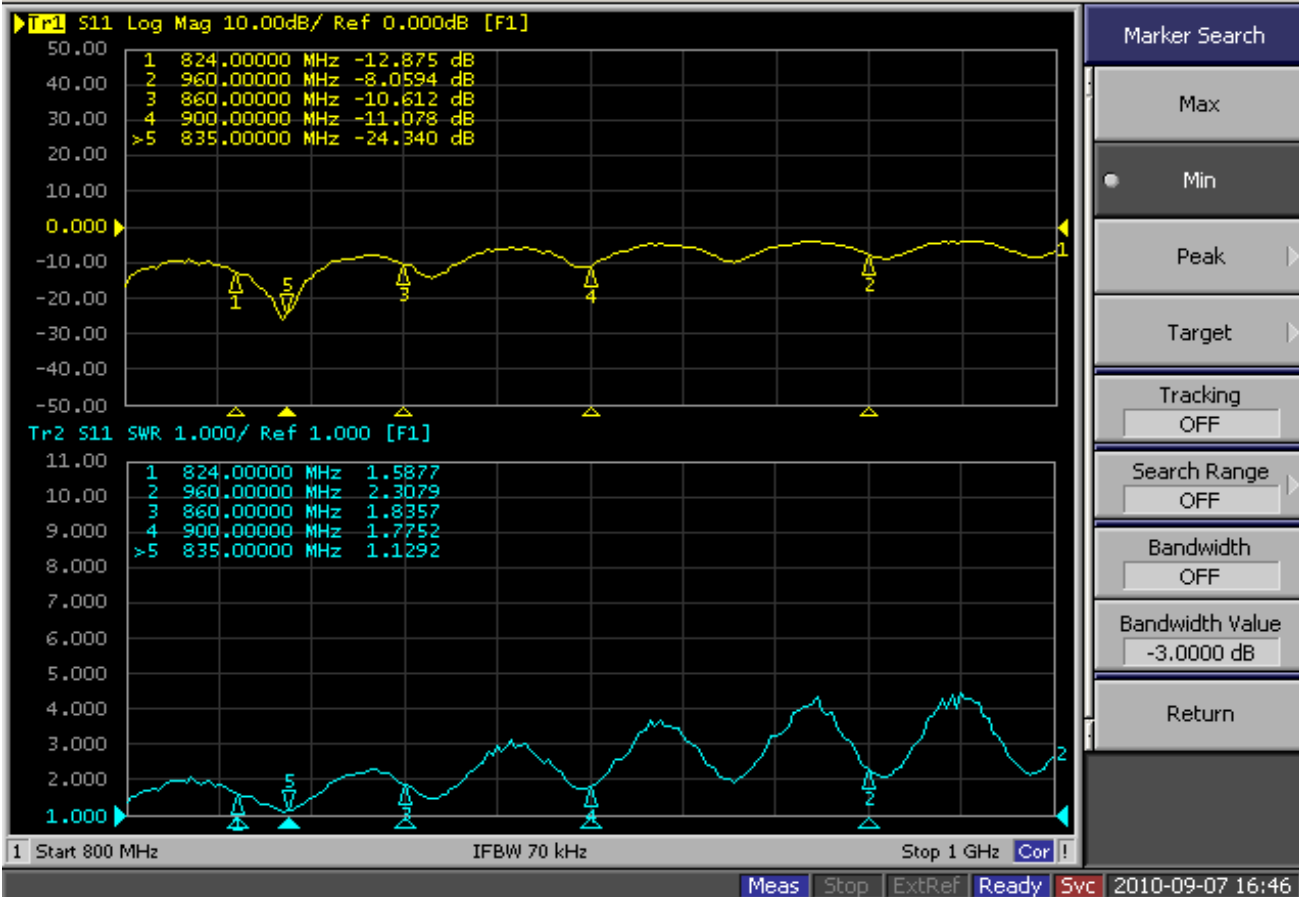
EVERCOM COMMUNICAITON TECHNOLOGY CO., LTD.

No.108 Jiesin St. Taoyuan District Taoyuan City 33063, Taiwan R.O.C.

Tel: +886-3- 376- 5678 Fax: +886-3- 376- 5319 E-Mail: service@evercomtech.com



1 Active Ch/Trace 2 Response 3 Stimulus 4 Mkr/Analysis 5 Instr State





The World Wide Leader in Antenna

Packaging

***1 pc Antenna
PE bag/ each**

**25 pcs per carton
Carton Dimensions:50*40*15cm**

