



The World Wide Leader in Antenna

GSM Antenna

TC-213N



Frequency : 824~896MHZ

Gain : 5dB

Connector: FME, Mini-UHF, TNC

V.S.W.R : <1.5:1

Impedance : 50 ohm

Cable : RG58

Length : 317mm

Weight : 90g

Material : Copper/ SUP/ ABS

Polarization : Vertical

Color : Black

Mounting : NMO

Temperature : -20°C to +60°C

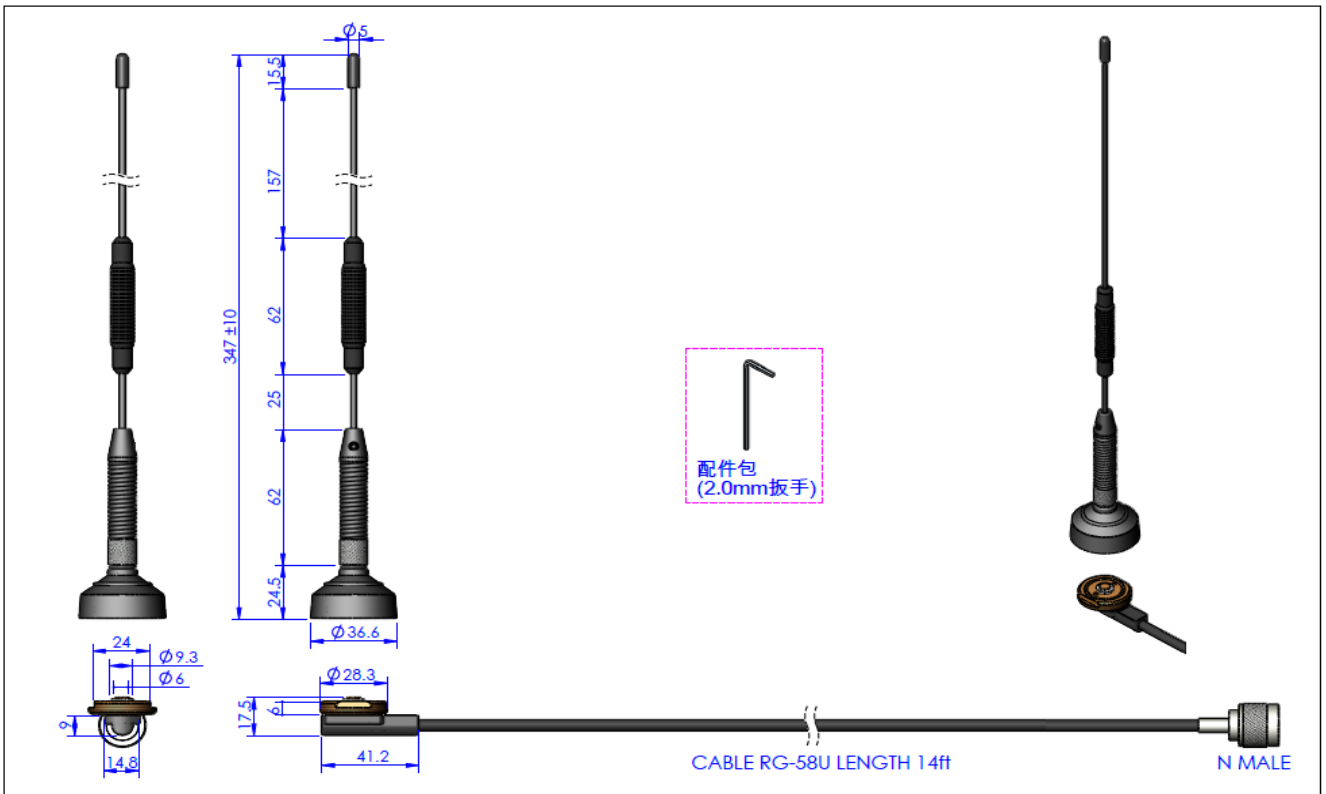
EVERCOM COMMUNICAITON TECHNOLOGY CO., LTD.

No.108 Jiesin St. Taoyuan District Taoyuan City 33063, Taiwan R.O.C.

Tel: +886-3- 376- 5678 Fax: +886-3- 376- 5319 E-Mail: service@evercomtech.com

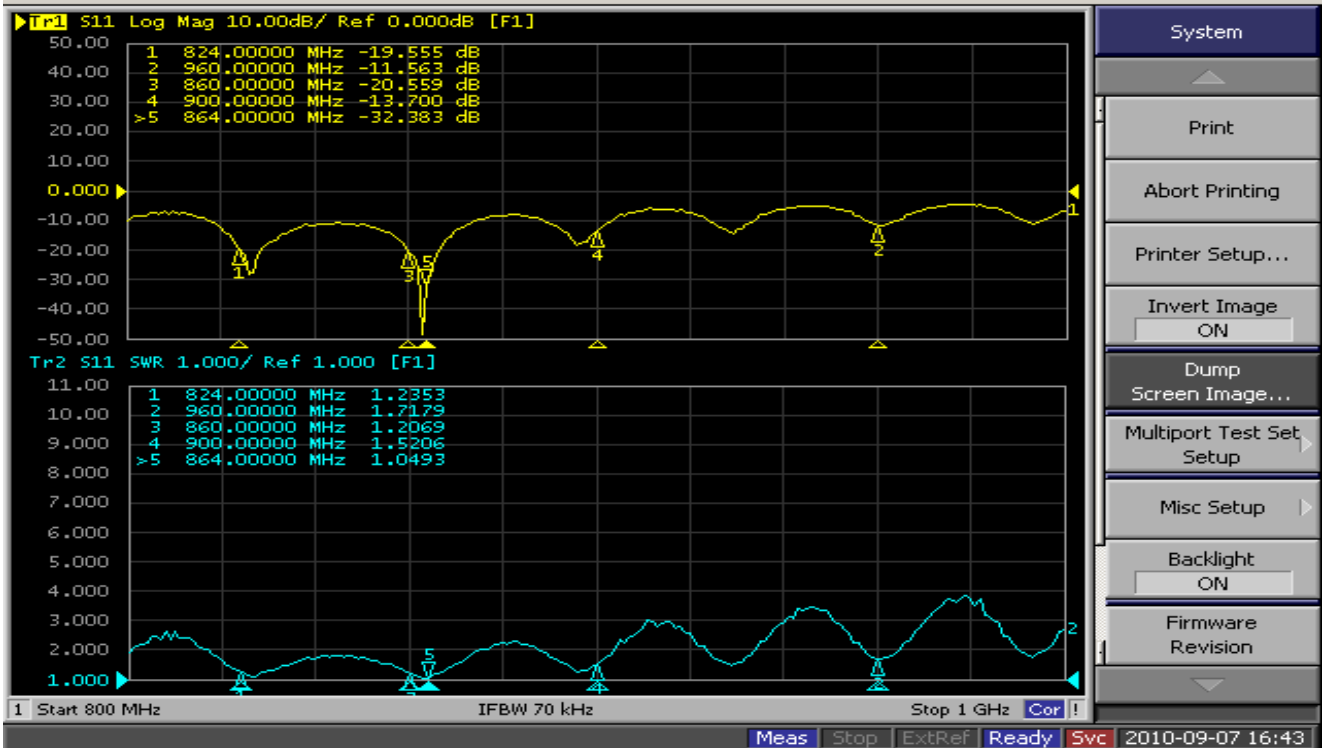


ISO 9001



	EVERCOM COMMUNICATION TECHNOLOGY CO., LTD		CHECKED BY	APPROVAL BY	DESIGNED BY	SCALE	UNIT
	MODEL NAME	MODEL NO.	TC-213N-M4		C.H.C	1:2	mm
					2015.04.20		

1 Active Ch/Trace 2 Response 3 Stimulus 4 Mkr/Analysis 5 Instr State





The World Wide Leader in Antenna

Packaging

***1 pc Antenna
PE bag/ each**

**50 pcs per carton
Carton Dimensions:40*30*20cm**

