



The World Wide Lead Antenn



GSM Antenna

TC-8809



Frequency : 900/1800MHZ

Gain : 3dBi

V.S.W.R : <1.5:1

Impedance : 50 ohm

Connector : FME, Mini-UHF, TNC

Cable : RG174

Material : ABS Polymer

Weight : 180g

Color : Black

Polarization : Linear (H) or (V)

Mount : 3M Tape

Dimension : Φ 95 x 59mm

Temperature : -20°C to +60°C

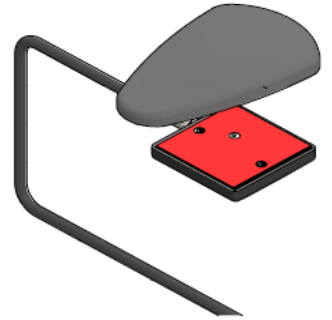
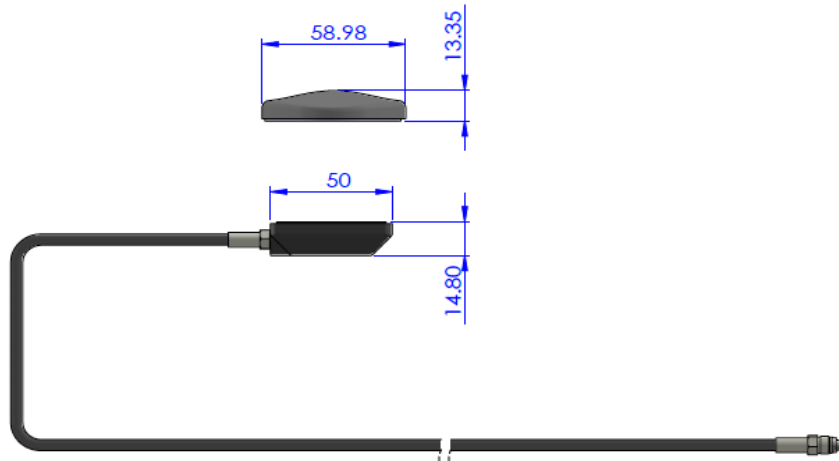
Max. Power : 25W

EVERCOM COMMUNICAITON TECHNOLOGY CO., LTD.

No.108 Jiesin St. Taoyuan District Taoyuan City 33063, Taiwan R.O.C.

Tel: +886-3- 376- 5678 Fax: +886-3- 376- 5319 E-Mail: service@evercomtech.com

| DATE | DESCRIPTION | REV |
|------------|---------------|-----|
| 2021.04.29 | First drawing | A |
| | | |
| | | |



CABLE RG58/U LENGTH 14ft FME FEMALE



EVERCOM COMMUNICATION TECHNOLOGY CO; LTD

CHECKED BY

APPROVAL BY

DESIGNED BY

SCALE

UNIT

MODEL NO.

TC-8809

Y.W.C
2021.04.29

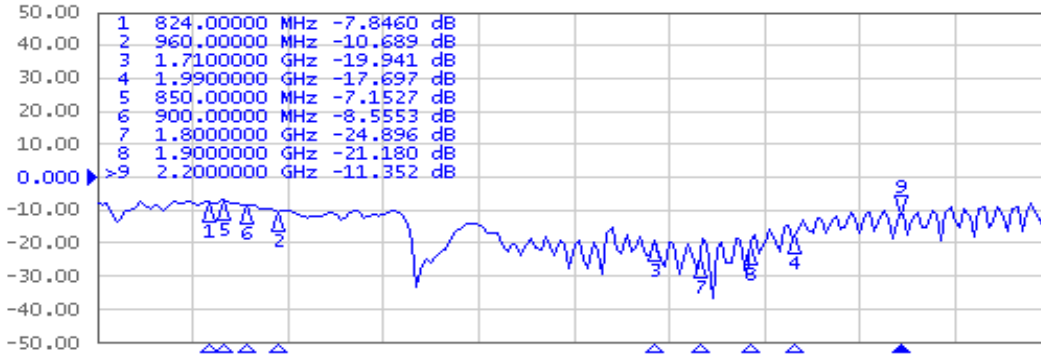
1:2

mm

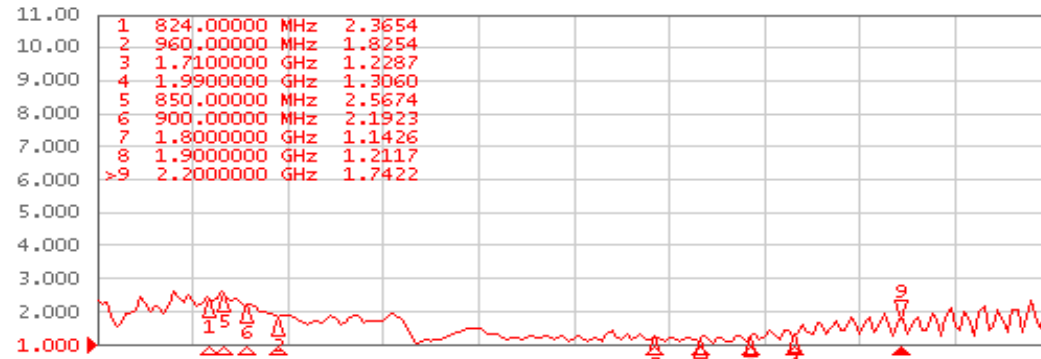
1 Active Ch/Trace 2 Response 3 Stimulus 4 Mkr/Analysis 5 Instr State

Evercom Communication Technology Co.,Ltd.

Tr1 S11 Log Mag 10.00dB/ Ref 0.000dB [R0]



Tr2 S11 SWR 1.000/ Ref 1.000 [R0]



1 Start 600 MHz

IFBW 70 kHz

Stop 2.5 GHz Cor !

Meas Stop ExtRef Ready Svc 2014-06-24 08:42

System

Print

Abort Printing

Printer Setup...

Invert Image

ON

Dump
Screen Image...

Multiport Test Set
Setup

Misc Setup

Backlight

ON

Firmware
Revision



The World Wide Leader in Antenna

Packaging

***1 pc Antenna
PE bag/ each**

**100 pcs per carton
Carton Dimensions:50*30*20cm**

